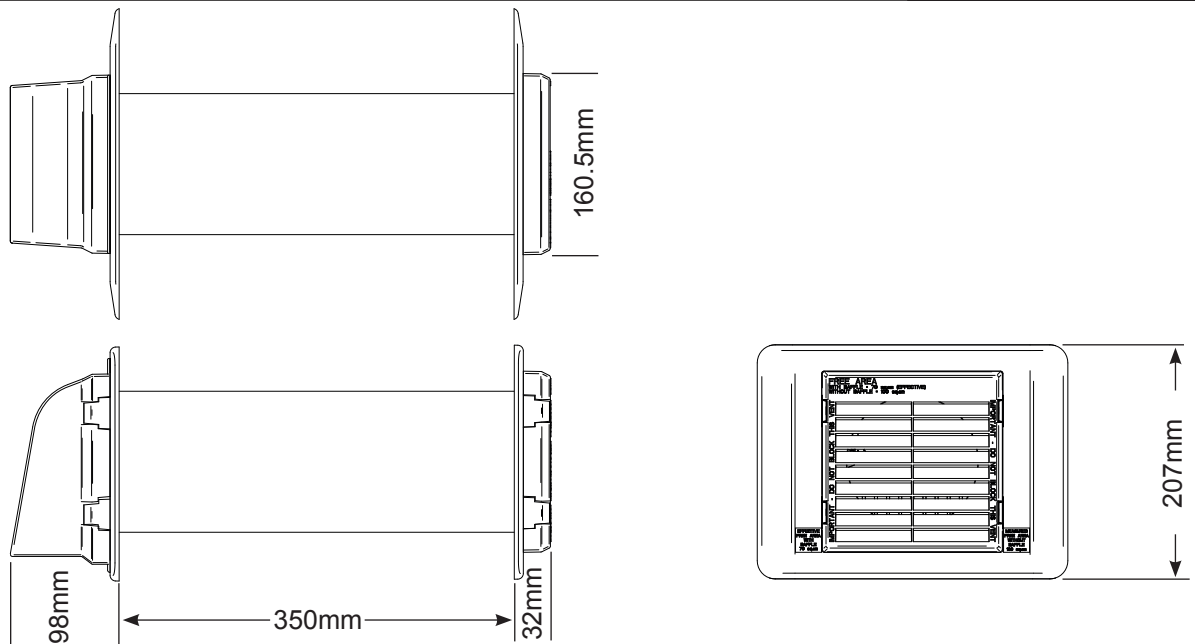


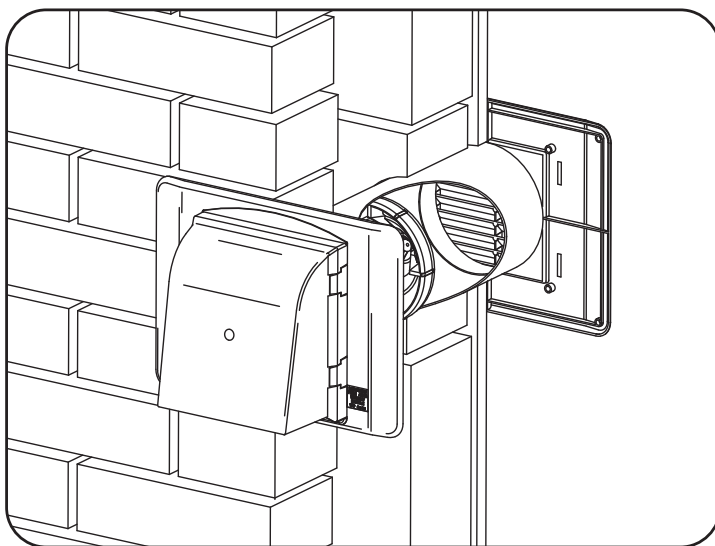
Large Backplate 5" Core Drill Ventilator

CODE G901



Description

The Manthorpe Large Backplate 5" Core Drill Vent is designed predominantly for use when ventilating a gas appliance, although can be used to supply general through wall ventilation as well. The kit includes a cowl vent for exterior use, a louvre grille for interior use, a 350mm length of pipe duct two large perimeter backplates colour matched to the louvre and cowl and an optional anti-draught baffle which reduces the airflow and also the feel of a draught through the vent. **Without the use of the anti-draught baffle**, the free area of the vent is 100cm², enough to supply an appliance with a rated input of 27kW or 92,000 Btu/h (in accordance with BS5440 Pt.2:2000). **With the anti-draught baffle installed**, the effective free area of the vent is reduced to 70cm² (BRE tested) providing enough ventilation for an appliance with an input rating of 21kW or 71,500 Btu/h. The vent can easily be fitted in both refurb and new build situations. The large backplate covers any masonry damage caused whilst creating the hole for the pipe whether this be with the use of a 5" (127mm) diameter core drill or by chopping out with a masonry chisel.



References

BS5440 Pt.2:2000
BRE Certificate

Specification

Colours - Cowl	Brown Terracotta White
Louvre always supplied in white	
Packing Details	1 kit per box
Weight	0.825kg
Material	Polypropylene
Manufacturing Process	Injection moulded

MANTHORPE BUILDING PRODUCTS LTD
MANTHORPE HOUSE
BRITTAIN DRIVE
CODNOR GATE BUSINESS PARK
RIPLEY
DERBYSHIRE DE5 3ND

TEL: 01773 303 000
FAX: 01773 303 300
EMAIL:
mbp.care@manthorpebp.co.uk
WEB
www.manthorpebp.co.uk

DRN M.R Date 19.06.19

DRG No

Issue

The company maintains a policy of continuous development of its product range and reserves the right to amend the specification without notice.

MBP 8283

C