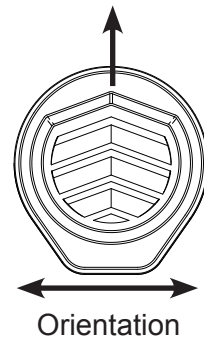
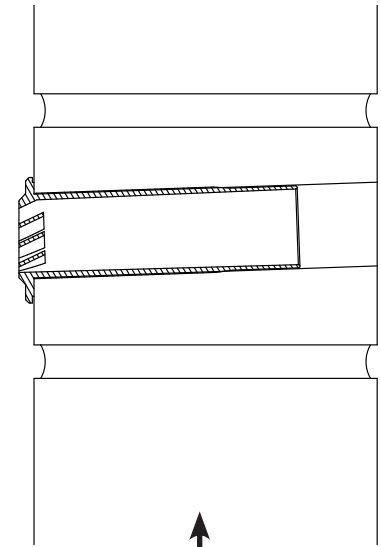
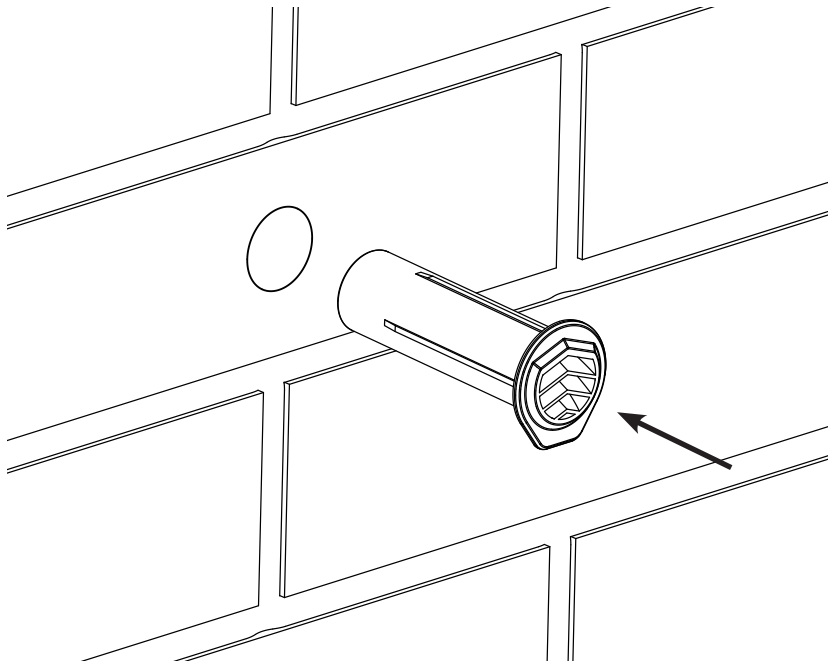


## Refurbishment Weep Vent

CODE G952



### Fitting Instructions

#### Preparation

Mark out the locations for the vents and drill a 25mm diameter hole through the external leaf of the wall into the cavity at a slight upward angle at these points. Ensure that the hole is clear and free of debris before proceeding.

#### Installation

Align the tube with the hole, making sure to have the chevrons of the front grill pointing upward and the flat edge of the drip feature horizontal, running parallel with the run of the wall. Push the vent firmly into the hole using the palm of your hand until the back face of the flange sits flush against the substrate. As the ribs along the length of the tube grip to hold the product in position it may require more force to push the vent into the hole, it is acceptable to gently tap the vent into position using a rubber mallet.

#### Requirements

The vents can be positioned at high or low level to suit the required detail, and should be placed at both high and low level to achieve a cross flow ventilated cavity if required. To suit the following requirements:

- NHBC Standards 2008 - 650mm<sup>2</sup> free airflow every 1.2m - Space the G952 at 480mm centres.
- Scottish Building Regulations 2007 - 300mm<sup>2</sup> free airflow every 1.2m - Space the G952 at 1m centres.

MANTHORPE BUILDING PRODUCTS LTD  
 MANTHORPE HOUSE  
 BRITAIN DRIVE  
 CODNOR GATE BUSINESS PARK  
 RIPLEY  
 DERBYSHIRE DE5 3ND

TEL: 01773 303 000  
 FAX: 01773 303 300  
 EMAIL:  
 mbp.care@manthorpebp.co.uk  
 WEB  
 www.manthorpebp.co.uk

DRN B.H. Date 19.06.19

The company maintains a policy of continuous development of its product range and reserves the right to amend the specification without notice.

DRG No

**MBP 8290**  
 (Page 2 of 2)

Issue

**B**