

SmartVerge® Linear Dry Verge System - Fixing Clips

CODE **GLV-FC**

Product Codes:

Fixing Clip

GLV-FC

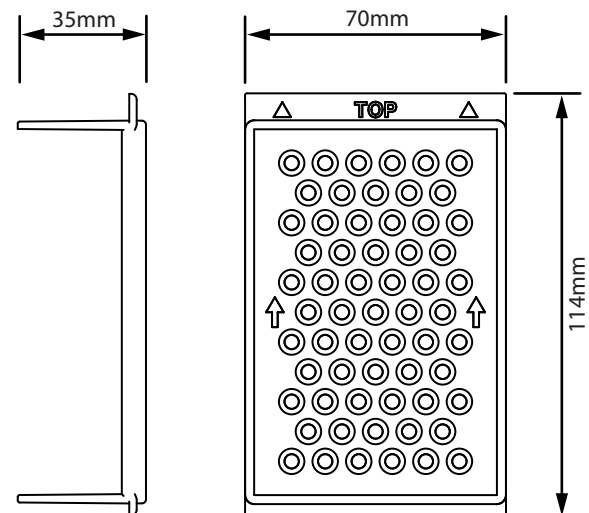
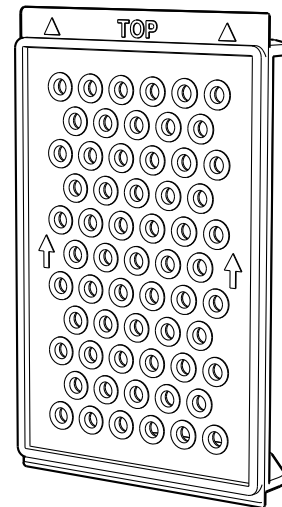
Description:

The Manthorpe SmartVerge® Linear Dry Verge Fixing Clip can be used to provide additional fixing points along the verge when fixing the **GLV-LH** or **GLV-RH** Linear Verge Units.

The **GLV-FC** Fixing Clip can be nailed to an additional batten strip fixed to the underside of the verge. The first Linear Verge Unit is then clipped securely over the Fixing Clip providing a strong fix to the eaves.

For roofs where the bottom course tiles are tilted upwards, two Fixing Clips can be used to secure a cut section of Linear Verge Unit to the verge, a third Fixing Clip should then be used to start the continuous run.

The design can be used on both the left and right hand verges and is completely concealed after installation of the system.



PACKING DETAILS

Fixing Clip Pack contains 2 Fixing Clips, 2 Nails and Fixing Instructions.
10 Packs per Box.

WEIGHT

1.0 Kg per Box

MATERIAL

Unplasticized Polyvinyl Chloride (uPVC)

MANUFACTURING PROCESS

Injection Moulded

COLOUR VARIATIONS

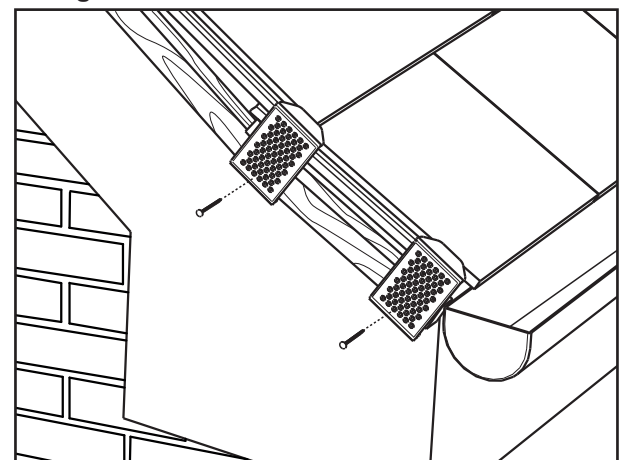
Slate Grey (GR)
(not visible when installed)



References:

BSI: British Standard 5534:2003
BSI: British Standard 6399-2:1997
NHBC Standards Chapter 7.2

Fixing:



MANTHORPE BUILDING PRODUCTS LTD
MANTHORPE HOUSE
BRITAIN DRIVE
CODNOR GATE BUSINESS PARK
RIPLEY
DERBYSHIRE DE5 3ND

TEL: 01773 303 000
FAX: 01773 303 300
EMAIL:
mbp.care@manthorpebp.co.uk
WEB
www.manthorpebp.co.uk

DRN R.P

Date 26.06.19

DRG No

Issue

The company maintains a policy of continuous development of its product range and reserves the right to amend the specification without notice.

MBP 8254

D