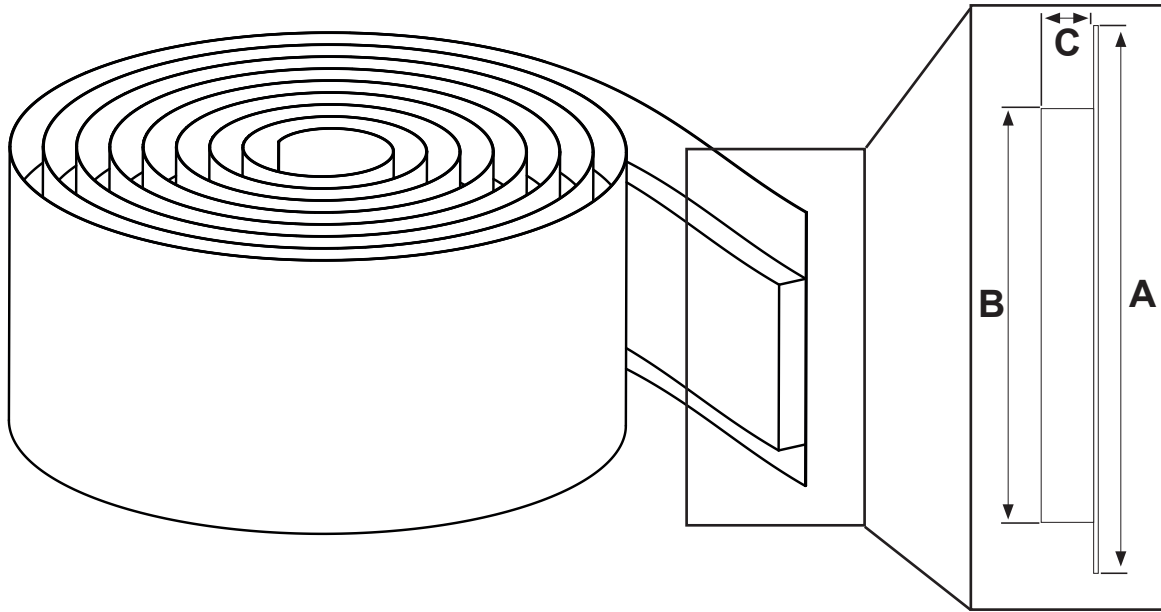


Damcor - Insulated DPC

Description

Damcor is an insulated DPC to provide a simple solution to thermal bridging where the cavity is closed, using a returned block work detail.



Cavity Closer	Length / Per Roll	DPC Width /A	Insulation /B	Insulation /C	Qty. per bag
DC165	6m	165mm	100mm	18mm	8
DC225	6m	225mm	150mm	18mm	6

Additional Details

- The cavity closer is non-loadbearing, therefore it should not be used to support the window or door frame, or used as a substitute for cavity wall ties.
- The product should be stored inside a building. If outdoor storage is not avoidable, the product should be stacked clear of the ground and protected with a weatherproof covering.
- If the insulation core has been allowed to get wet, do not proceed to use the product.

Specification		
	DPC	Insulation
Material	Polyethylene	Chemically Cross-Linked Polyethylene/ EVA Foam
Colour	Black	Yellow
K-Value	0.039 W/mk	

MANTHORPE BUILDING PRODUCTS LTD
 MANTHORPE HOUSE
 BRITAIN DRIVE
 CODNOR GATE BUSINESS PARK
 RIPLEY
 DERBYSHIRE
 DE5 3ND

TEL: 01773 303 000
 FAX: 01773 303 300
 EMAIL:
 mbp.care@manthorpebp.co.uk
 WEB
 www.manthorpebp.co.uk

DRN K.B. Date 19.08.19

The company maintains a policy of continuous development of its product range and reserves the right to amend the specification without notice.

DRG No

MBP 8339

Issue

A