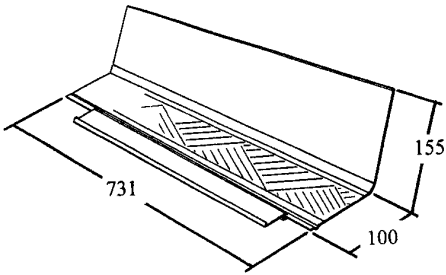
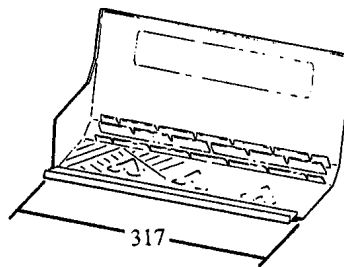


## BRICKWORK CAVITY TRAY DIMENSIONS

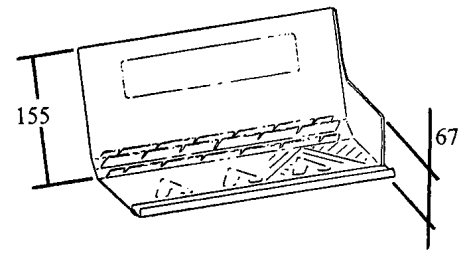
GW290 APEX TRAY



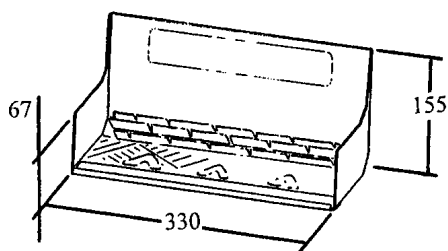
GW291 RH INTERMEDIATE TRAY



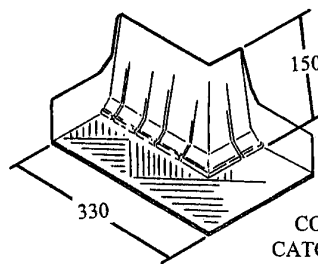
GW292 LH INTERMEDIATE TRAY



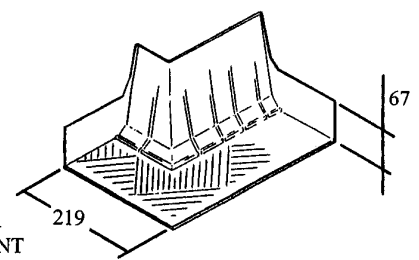
GW293 CATCHMENT TRAY



GW293CC RH

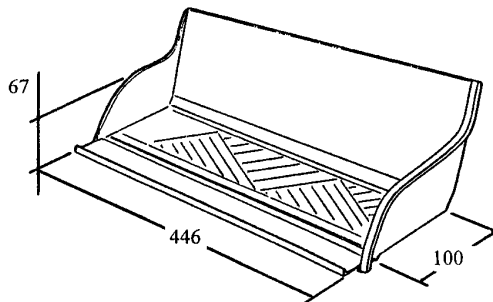


GW293CC LH

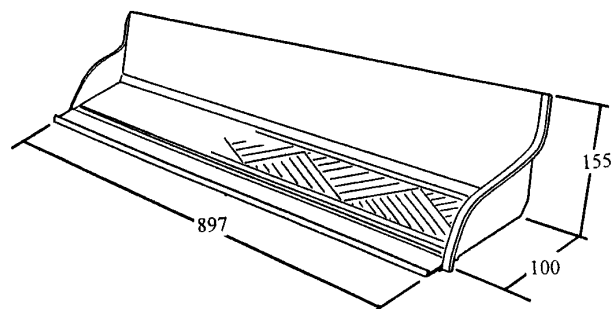


CORNER  
CATCHMENT  
TRAY'S

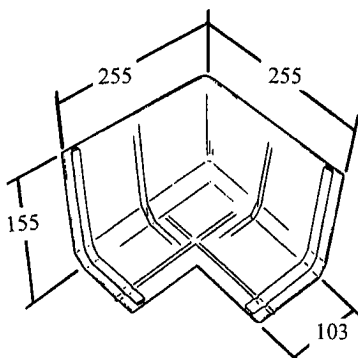
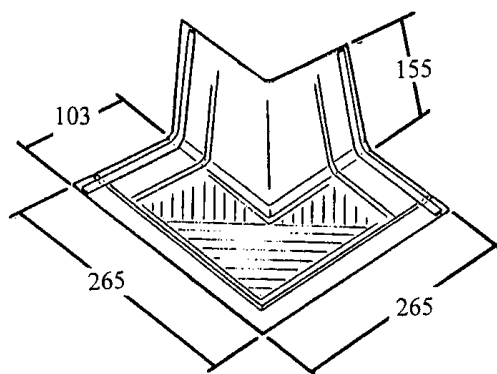
GW294 REFURB / SHORT HORIZONTAL TRAY



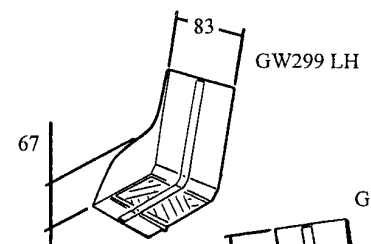
GW295 HORIZONTAL TRAY



GW297 EXTERNAL CORNER

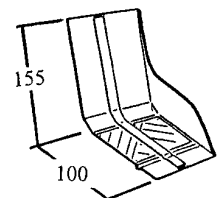


GW296 INTERNAL CORNER



GW299 LH

STOP  
END'S



GW298RH

**ALL DIMENSIONS IN mm**

MANTHORPE BUILDING PRODUCTS LTD  
MANTHORPE HOUSE  
BRITAIN DRIVE  
CODNOR GATE BUSINESS PARK  
RIPLEY  
DERBYSHIRE DE5 3ND

TEL: 01773 303 000  
FAX: 01773 303 000  
EMAIL:  
[mbp.care@manthorpebp.co.uk](mailto:mbp.care@manthorpebp.co.uk)  
WEB:  
[www.manthorpebp.co.uk](http://www.manthorpebp.co.uk)

DRN M.A Date 21.06.19

The company maintains a policy of continuous development of its product range and reserves the right to amend the specification without notice.

DRG No

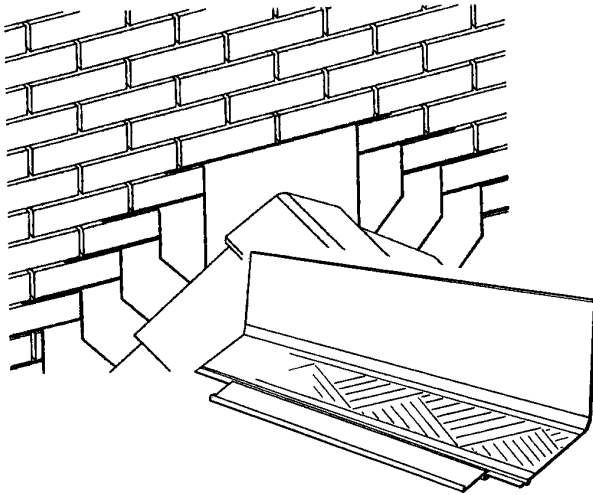
**MBP 8043**

Issue

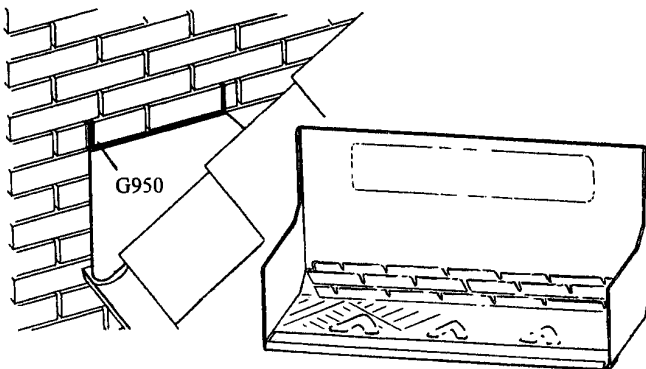
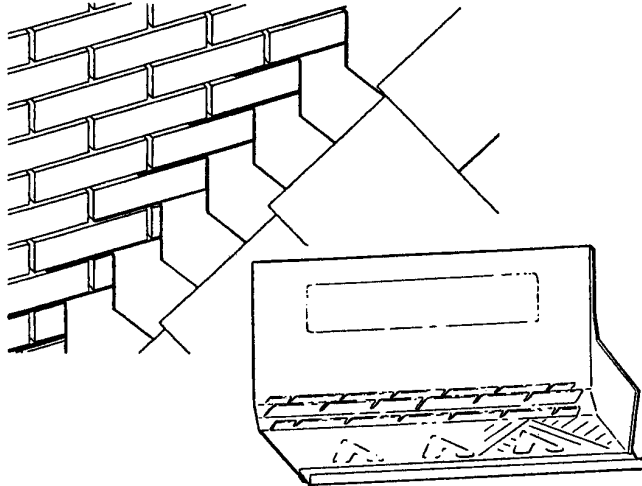
**B**

## STEPPED CAVITY TRAY SYSTEM

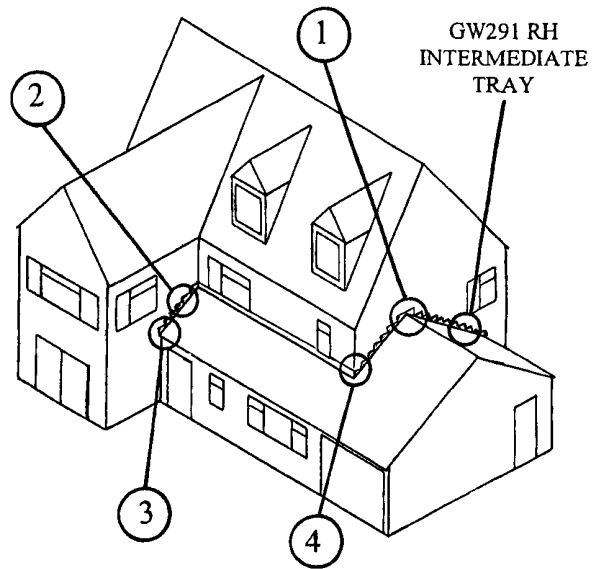
1) GW290  
APEX TRAY



2) GW292 LH INTERMEDIATE TRAY

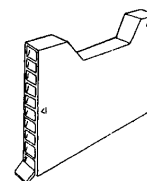
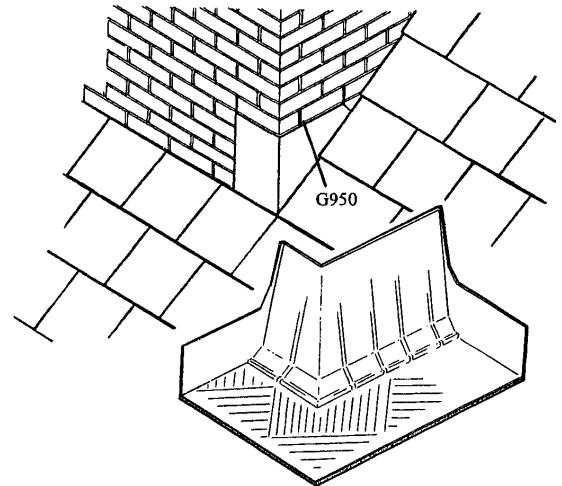


3) GW293 CATCHMENT TRAY



NOTE: - SHORT LEADED TRAY DETAIL SHOWN AND MORTAR IS NOT SHOWN FOR CLARITY.

4) GW293CC LH CORNER  
CATCHMENT TRAY



G950 WEEP VENT

MANTHORPE BUILDING PRODUCTS LTD  
MANTHORPE HOUSE  
BRITAIN DRIVE  
CODNOR GATE BUSINESS PARK  
RIPLEY  
DERBYSHIRE DE5 3ND

TEL: 01773 303 000  
FAX: 01773 303 300  
EMAIL:  
[mbp.care@manthorpebp.co.uk](mailto:mbp.care@manthorpebp.co.uk)  
WEB:  
[www.manthorpebp.co.uk](http://www.manthorpebp.co.uk)

DRN M.L.W.O

Date 24.06.19

DRG No

Issue

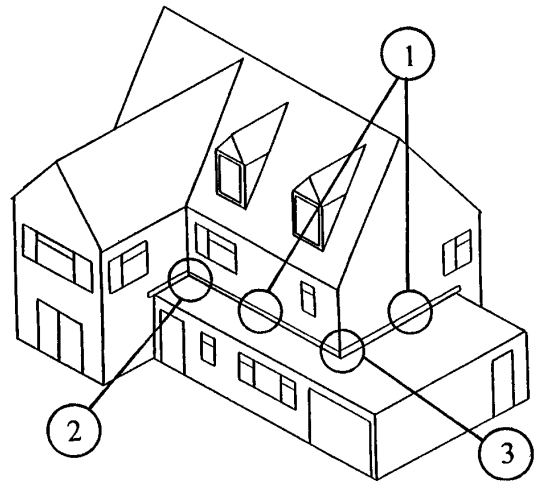
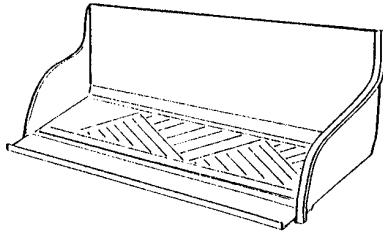
The company maintains a policy of continuous development of its product range and reserves the right to amend the specification without notice.

**MBP 8120**

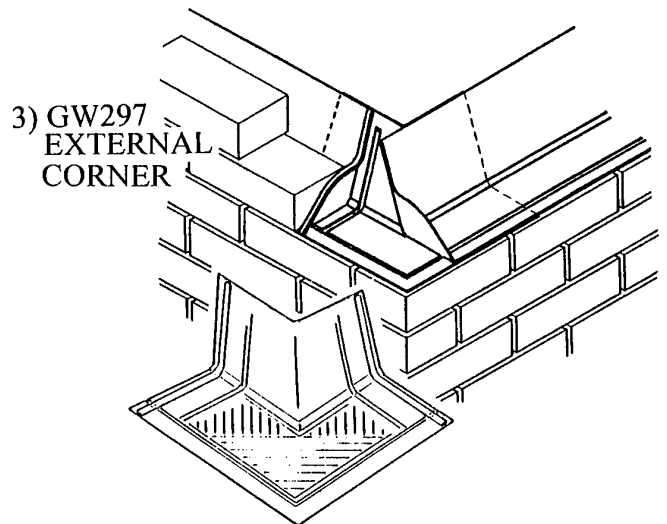
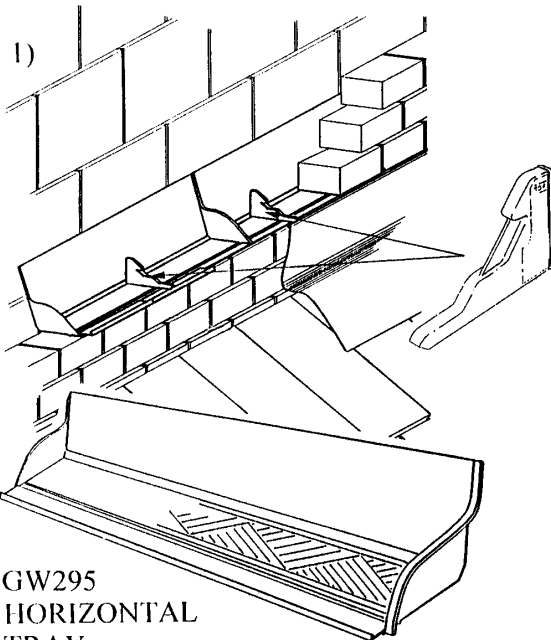
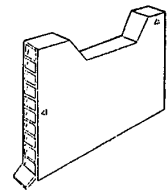
**B**

## HORIZONTAL CAVITY TRAY SYSTEM

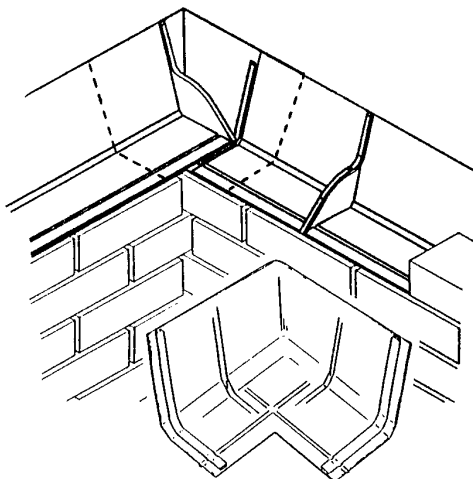
GW294  
REFURBISHMENT / SHORT  
HORIZONTAL TRAY



G951 PEEP WEEP OR  
G950 WEEP VENT



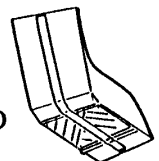
2) GW296 INTERNAL CORNER



GW299 STOP END



GW298 STOP END



**NOTE: - MORTAR IS NOT SHOWN FOR CLARITY.**

MANTHORPE BUILDING PRODUCTS LTD  
MANTHORPE HOUSE  
BRITAIN DRIVE  
CODNOR GATE BUSINESS PARK  
RIPLEY  
DERBYSHIRE DE5 3ND

TEL: 01773 303 000  
FAX: 01773 303 300  
EMAIL:  
[mbp.care@manthorpebp.co.uk](mailto:mbp.care@manthorpebp.co.uk)  
WEB:  
[www.manthorpebp.co.uk](http://www.manthorpebp.co.uk)

DRN M.L.W.O

Date:24.06.19

DRG No

Issue

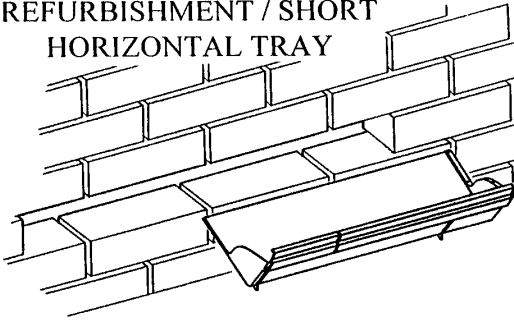
The company maintains a policy of continuous development of its product range and reserves the right to amend the specification without notice.

**MBP 8121**

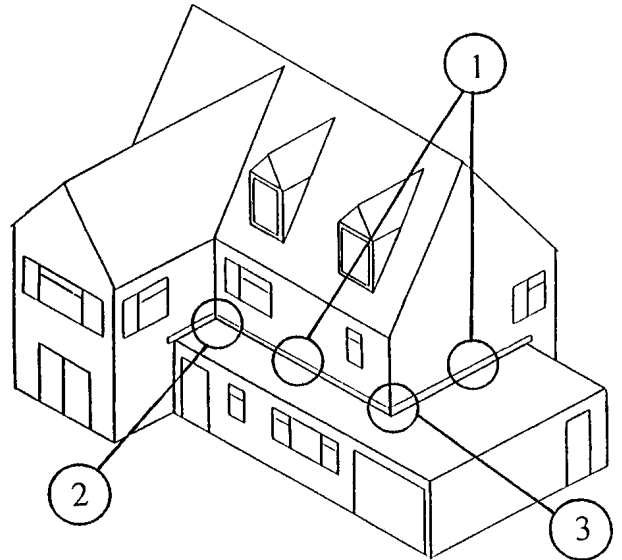
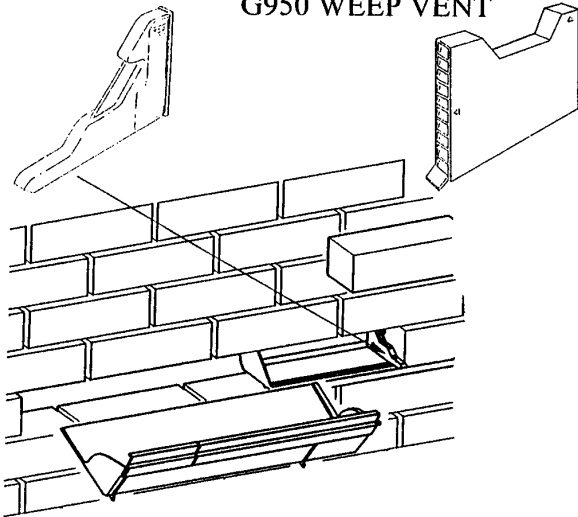
**B**

## REFURBISHMENT HORIZONTAL CAVITY TRAY SYSTEM

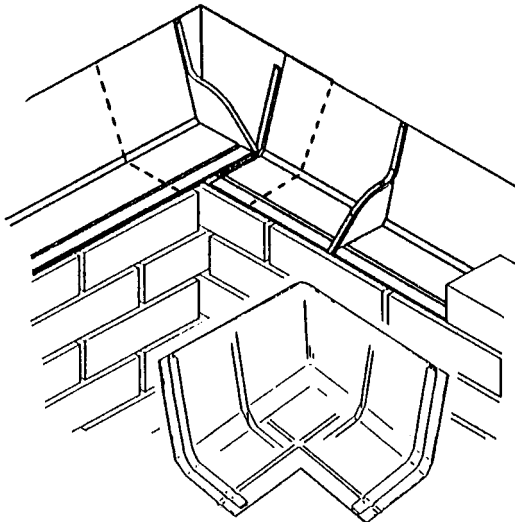
1) GW294  
REFURBISHMENT / SHORT  
HORIZONTAL TRAY



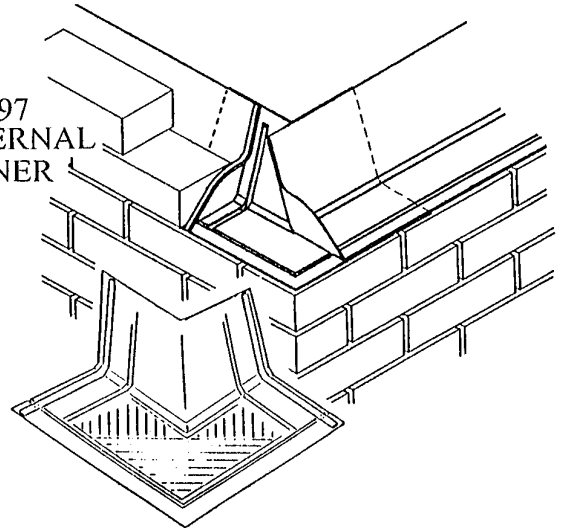
G951 PEEP WEEP OR  
G950 WEEP VENT



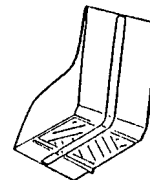
2) GW296 INTERNAL CORNER



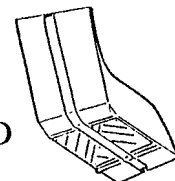
3) GW297  
EXTERNAL  
CORNER



GW299 STOP END



GW298 STOP END



**NOTE: - MORTAR IS NOT SHOWN FOR CLARITY.**

MANTHORPE BUILDING PRODUCTS LTD  
MANTHORPE HOUSE  
BRITAIN DRIVE  
CODNOR GATE BUSINESS PARK  
RIPLEY  
DERBYSHIRE DE5 3ND

TEL: 01773 303 000  
FAX: 01773 303 300  
EMAIL:  
[mbp.care@manthorpebp.co.uk](mailto:mbp.care@manthorpebp.co.uk)  
WEB:  
[www.manthorpebp.co.uk](http://www.manthorpebp.co.uk)

DRN M.L.W.O Date 24.06.19

The company maintains a policy of continuous development of its product range and reserves the right to amend the specification without notice.

DRG No

**MBP 8121**

Issue

**B**

TITLE GENERAL FITTING DETAIL UNLEADED TRAYS

CODE

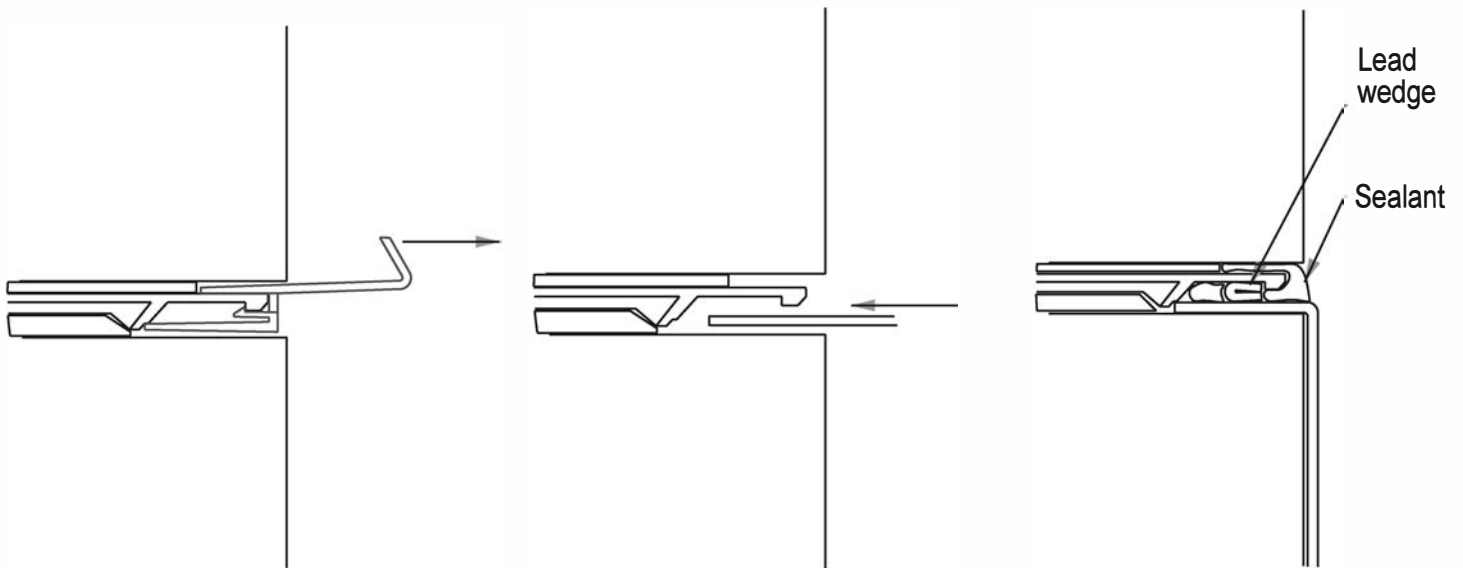
50 - 100MM

102.5MM

MORTAR STRIP

BED TRAY TOP AND BOTTOM WITH MORTAR

### FITTING LEAD



① Wait until mortar is dry and wall is stable then pull out mortar strip to leave a 25mm slot

② Push lead into the gap ensuring it fits under the Cavity Tray. Secure lead flashing using lead wedges as per normal practice.

③ Dress lead down into position and point with a suitable flexible lead sealant.

For further information on the fitting and dressing of lead refer to the 'Lead Sheet Manual' available from the Lead Sheet Association.

MANTHORPE BUILDING PRODUCTS LIMITED  
MANTHORPE HOUSE, BRITAIN DRIVE,  
CODNOR GATE BUSINESS PARK,  
RIPLEY, DERBYSHIRE DE5 3ND.

TELE: 01773 303 000  
FAX: 01773 303 300

Email:  
mbp.care@manthorpebp.co.uk  
Web:  
www.manthorpebp.co.uk

Drm

MC

Date

21/06/19

DRG No

8046

ISSUE

B

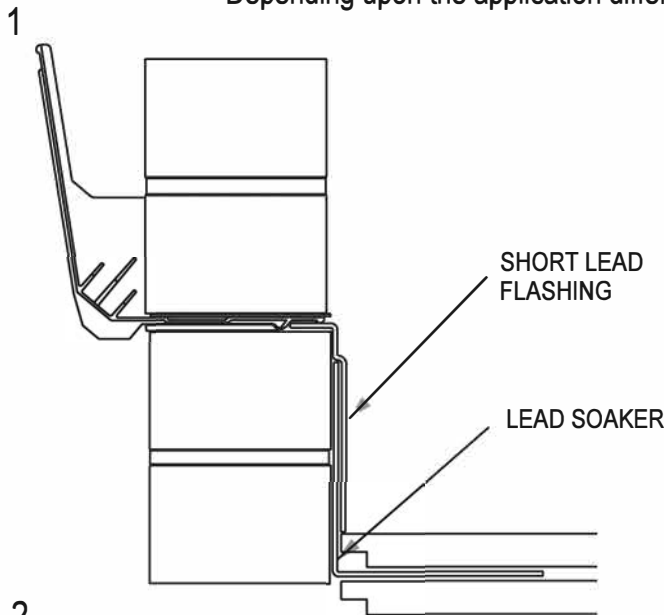
The Company maintains a policy of continuous development of its product range and reserve the right to amend the specification without notice.

TITLE

DIFFERENT LEAD TYPES

CODE

Depending upon the application different sizes of lead should be used



For general details and normal exposure areas code 4 lead is recommended. For severe exposure areas code 5 lead is recommended

Fig. 1 shows a typical abutment situation using lead soakers.

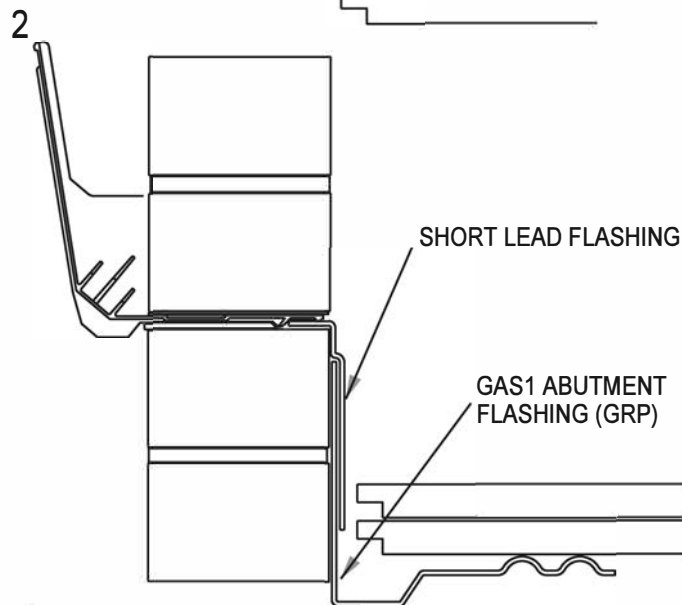


Fig. 2 shown an abutment flashing and secret gutter detail. Secret gutters are traditionally made from lead but are now more commonly bought preformed in GRP.

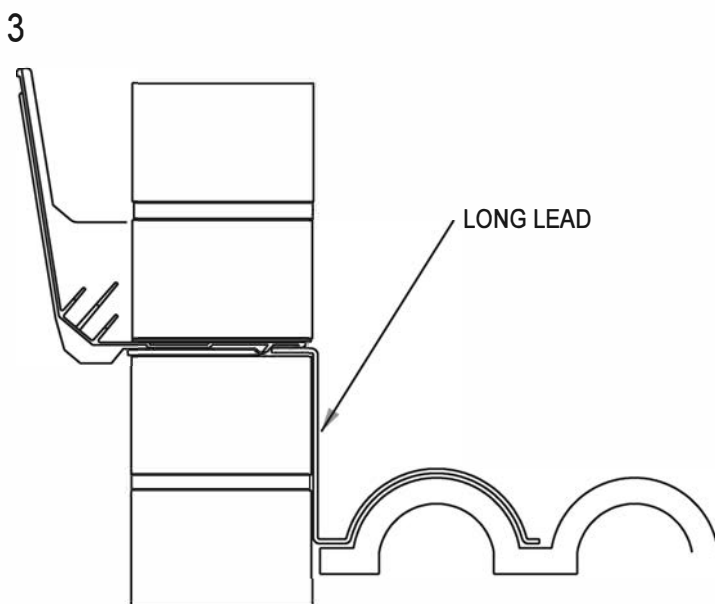


Fig. 3 shows a long lead application. In this detail the lead is dressed over the tile in one continuous piece then moulded into the contours of the tile. This type of flashing should only be used on contoured roof finishes.

FOR FURTHER TECHNICAL INFORMATION ON THE FITTING OF LEAD SHEET REFER TO

THE LEAD SHEET MANUAL  
Available from  
LEAD SHEET ASSOCIATION