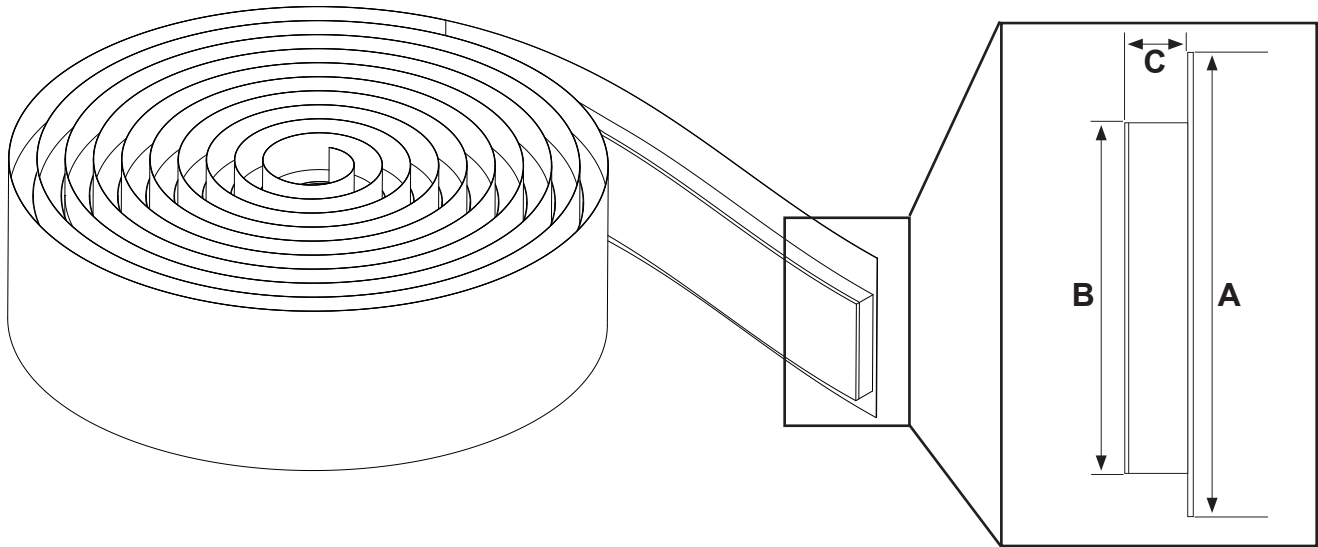


Stonecor - Insulated DPC

Description

An insulated DPC to provide a simple solution to thermal bridging where the cavity is closed, when using a returned block work detail.



Cavity Closer	Length / Per Roll	DPC Width / A	Insulation / B	Insulation / C	Qty. per bag
GSC165	10m	165mm	100mm	25mm	5
GSC225	10m	225mm	150mm	25mm	5

Additional Details

- The product should be stored inside a building. If outdoor storage is not avoidable, the product should be stacked clear of the ground and protected with a weatherproof covering.
- If the insulation core has been allowed to get wet, do not proceed to use the product.

Specification

	DPC	Insulation
Material	Polyethylene	non-combustible mineral wool, faced with Aluminium Foil.
Colour	Black	Neutral
K-Value	0.034 W/mk	

References

Author	Publication
WFRC	112891
BBA	CERT NO: 19/5699

MANTHORPE BUILDING PRODUCTS LTD
MANTHORPE HOUSE
BRITTAIN DRIVE
CODNOR GATE BUSINESS PARK
RIPLEY
DERBYSHIRE
DE5 3ND

TEL: 01773 303 000
FAX: 01773 303 300
EMAIL:
mbp.care@manthorpebp.co.uk
WEB
www.manthorpebp.co.uk

DRN K.B. Date 29.10.19

The company maintains a policy of continuous development of its product range and reserves the right to amend the specification without notice.

DRG No

MBP 8340

Issue

B