

Typical Verges Details

Fig A. Flush Verge Detail

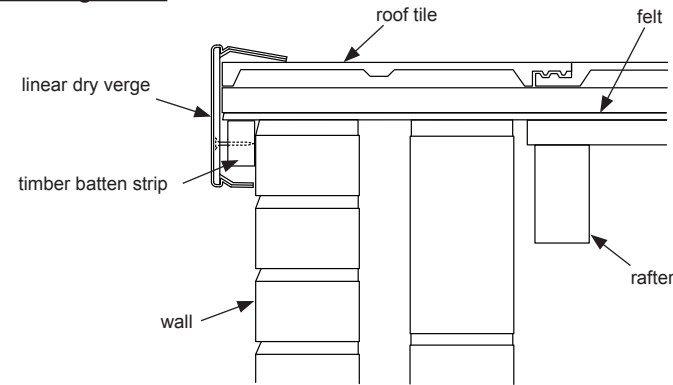
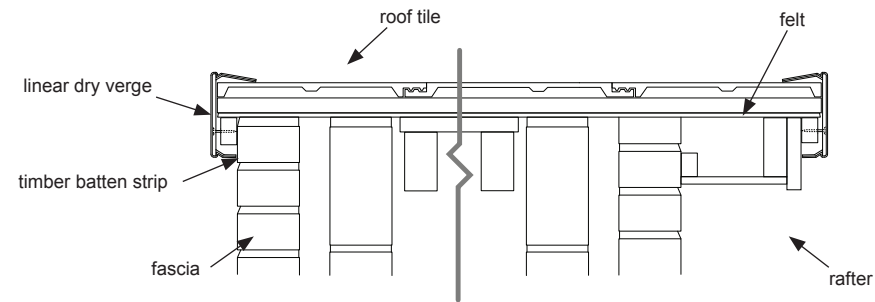


Fig B. Overhanging Verge Detail



Compatibility

The SmartVerge® Linear Dry Verge System is compatible with most Fibre Cement Slates, Natural Slates and Interlocking Plain Tiles including: -

Marley Rivendale, Birkdale, Garsdale, Thrutone, Edgemere, Duo Edgemere, Melbourn, Marquess, Duo Marquess, Monarch Slates & Ashmore Interlocking Plain Tiles.

Lafarge Cambrian, Landmark, Saxon, Richmond, Natural Slates & DuoPlain Interlocking Plain Tiles.

Sandtoft Cassius, Balmoral, BritLock, BritSlate, Pennine Slates & 20/20 Interlocking Plain Tiles.

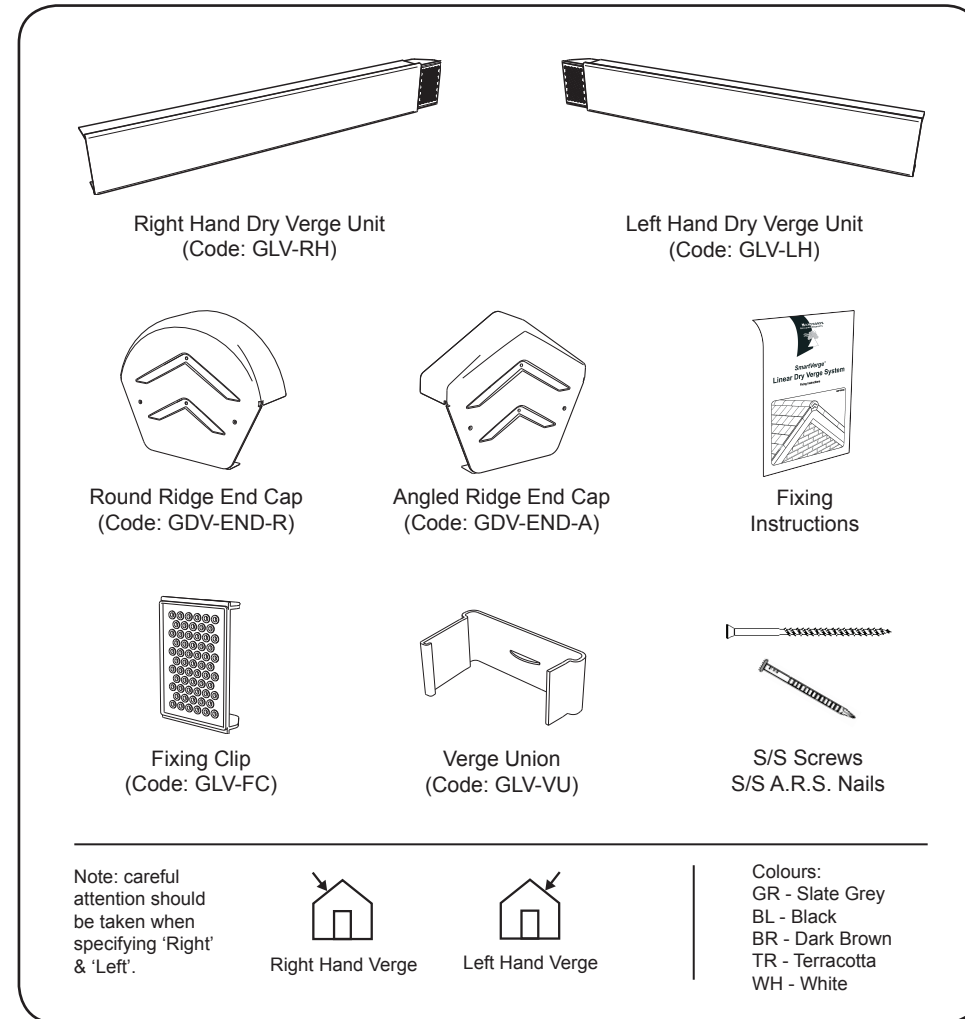
Forticrete Minislate Slates & Gemini Interlocking Plain Tiles.

Lagen Elite Slates.

The Linear Verge units will fit over a verge detail if the maximum depth does not exceed 100mm, this depth will include the roof covering at its largest thickness at the overlap, any undercloak construction and the fixing batten strip.

For all other tile enquiries please contact us.

The Complete System



Other products from Manthorpe include Cavity Trays, Cavity Closer, Loft Doors, Linear Drainage, Access Panels, Roof Ventilation, Through Wall & Underfloor Ventilation, Joist Seals and Dry Roofing Products.



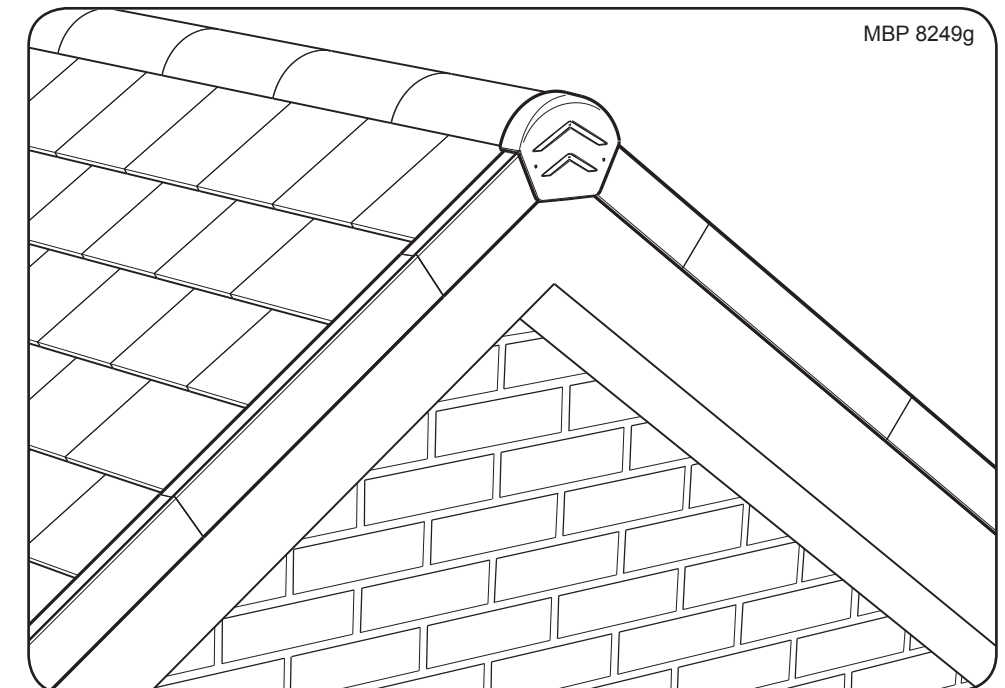
Manthorpe Building Products Limited

Manthorpe House, Brittain Drive, Codnor Gate Business Park, Ripley, Derbyshire DE5 3ND
 T: (01773) 303 000 F: (01773) 303 300 E: mbp.care@manthorpebp.co.uk
 W: <http://www.manthorpebp.co.uk>

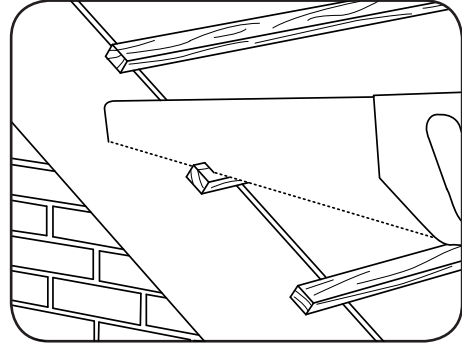
Manthorpe

SmartVerge® Linear Dry Verge System

Fixing Instructions



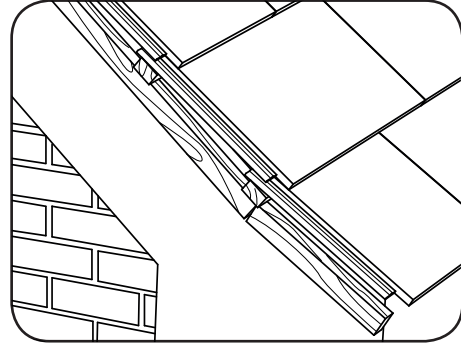
Installation



1. In a new build situation, saw the tiling battens off square so that they overhang the gable wall or bargeboard by **30mm**.

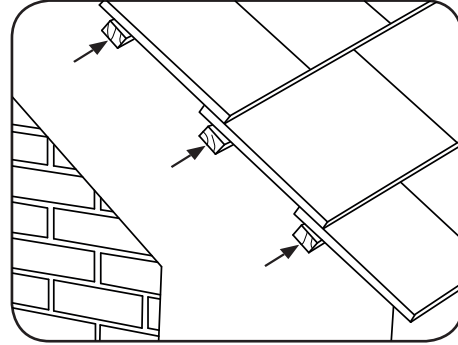
Lay the right hand and left hand tiles flush with the end of the battens.

For refurbishment situations, continue to step **2**.



2. Securely plug and screw as necessary (at approx. **500mm** centres) a length of **25mm x 38mm** timber batten to the brickwork or bargeboard as shown in **Fig A** and **Fig B** overleaf.

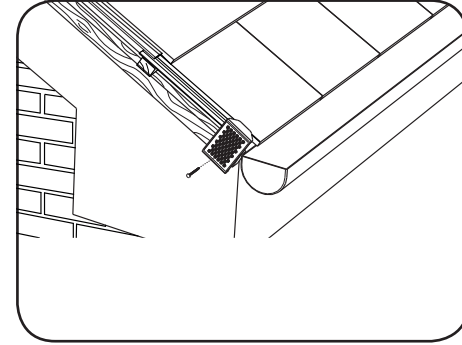
Continue this on both sides of the roof running from the eave to the ridge. This is used for nailing each Linear Verge Unit to the verge of the roof.



3. Alternatively, each unit can be nailed to the ends of the tiling battens.

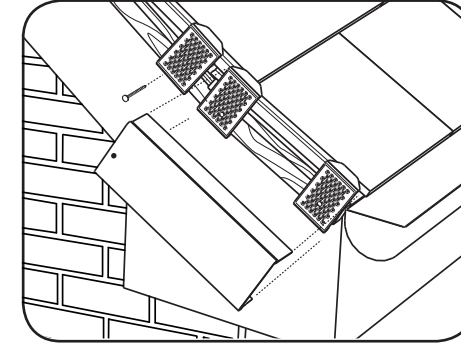
To achieve this, each Linear Verge Unit may have to be shortened so as to allow the nail holes to line up with the ends of the tiling battens.

Saw each unit square using a hacksaw or fine tooth saw then debur with a scraper.



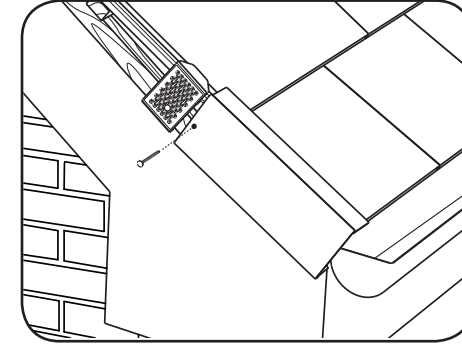
4. Using stainless steel, 3.35mm annular shank nails, securely fix a GLV-FC Fixing Clip to the end of the fixing batten at the eaves. It is important to ensure that the flange of the fixing clip that is labelled "top" faces upwards. Nail through an appropriate hole so that the nail penetrates the centre of the batten.

For straight verge runs continue to step **7**.



5. For roofs with a change in pitch at the eaves, use three fixing clips as shown. Saw a length of the Linear Verge Unit down to cover the full length of the tilted section of the verge.

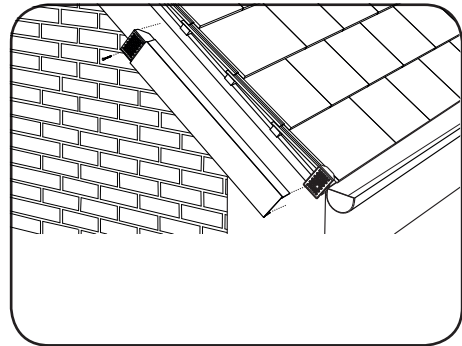
Hook the shortened Linear Verge Unit section over the top of both Fixing Clips and then push it on to the verge until it engages with both clips.



6. To prevent the shortened Linear Verge Unit from sliding down the verge, drill and nail the unit **10mm** from the edge into the batten strip as shown above.

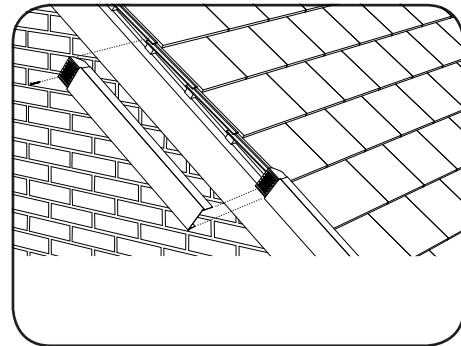
Proceed to fit the straight run of verge as detailed from step **7** onwards.

Detail on how to mask the join at the change of pitch is shown in step **9**.



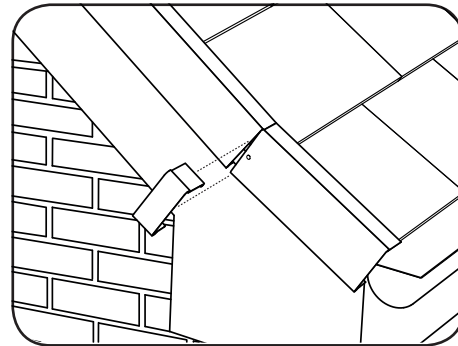
7. Hook the **Linear Verge Unit** over the top of the Fixing Clip and press firmly until it engages.

While pressing the verge unit down against the tiles, nail the tail end of the linear verge unit using stainless steel, 3.35mm annular shank nails, 38mm in length (not provided), through an appropriate hole so that the nail penetrates the centre of the batten strip.



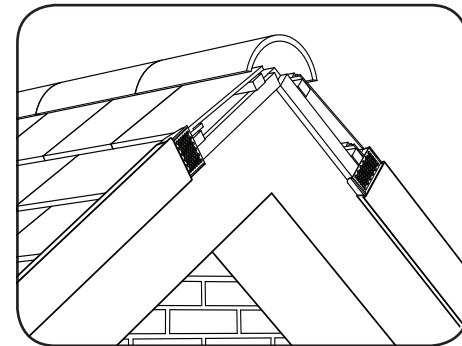
8. Continue on up the run of the verge, clipping and fixing each Linear Verge Unit consecutively at the toe and head to ensure a secure fit.

Leave a **3mm** gap between each Linear Verge Unit to allow for expansion of the product in warmer temperatures.



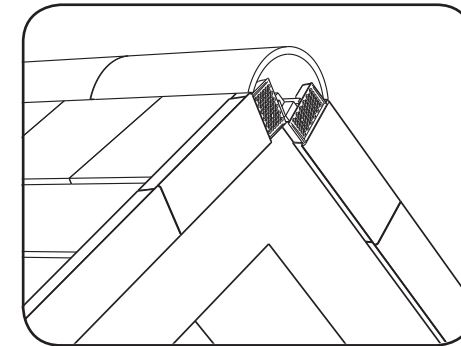
9. For roofs where the bottom course tiles are tilted upwards, cover the nail head and joint using a **Verge Union**.

Hook the Verge Union around the top flange between the Linear Verge Unit and the tiles, then firmly push the Verge Union onto the joint until the clip engages with both Linear Verge Units.



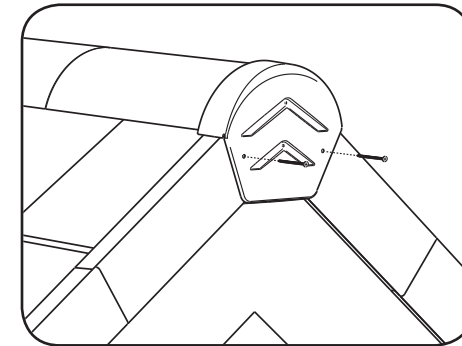
10. Continue to fit full lengths of the linear units up the run of the verge until all tiles have been covered or no full lengths can be fitted as shown.

Once one hand of the verge is completed repeat steps **4** to **9** on the opposing verge, this time using the other hand of Linear Verge Units.



11. At the apex of the verge, shorten the last two Linear Verge Units as shown above to fit the remainder of the verge.

To shorten the Linear Verge Units, measure and saw each unit square using a hacksaw or fine tooth saw then debur with a scraper.



12. To finish the roof at the apex, place a **Ridge End Cap** over the end of the ridge tile so that it sits over both Linear Verge Units.

Using the screws provided, screw into the Ridge End Cap through the desired blind nail hole and into the end of the ridge batten, or, if this is not available, into the top tiling battens.