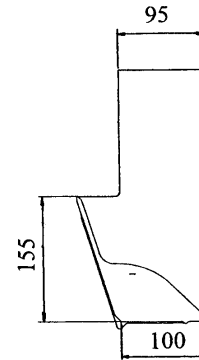
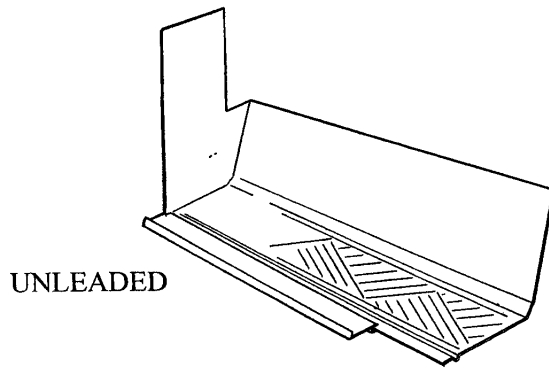
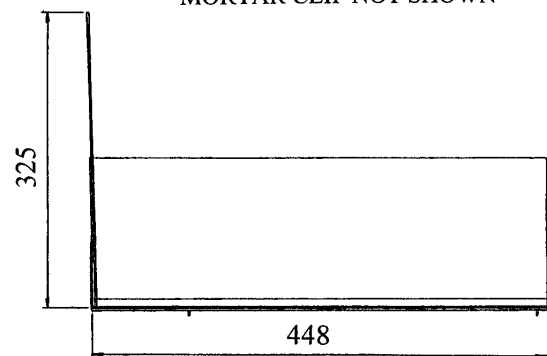
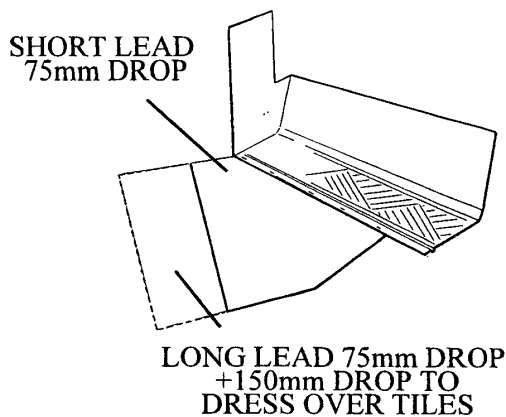


## Short Block / Stonework Intermediate Tray Right Hand

CODE **GW291 SBS**



MORTAR CLIP NOT SHOWN



### Description:

The GW291 SBS Short Right Hand Intermediate Tray suits larger course heights typically 150mm, 225mm in either stonework or blockwork and has an upstand at one end only. This is so that the water can run out of the tray down the cavity tray system.

The flexible perpend protector attached to the tray prevents driving rain penetrating the outer wall and tracking across the masonry.

The tray has a unique front mortar clip that can be removed at any time once the mortar has set leaving a 25mm deep aperture into which the lead is inserted into and secured with lead wedges.

The GW291 SBS Short Right Hand Intermediate Tray can also be supplied with short or long lead securely attached with staples in either code 4 or code 5 (special order) lead.

**Note: - When ordering trays please state roof pitch, course, and height and whether short or long lead is required.**

COLOURS	Black
PACKING DETAILS	Packed in 25's in cardboard box (unleaded).
WEIGHT	10.6kg per box (unleaded)
MATERIAL	Polypropylene
MANUFACTURING PROCESS	Injection Molded
SUITABLE FOR CAVITY WIDTHS	50mm to 100mm
SUITABLE FOR PITCHES	35 to 50 225mm coursing 25 to 50 150mm coursing
BED SIZE	102.5mm

### References:

BRE	:	Building Elements Walls, Windows, Door
BRE	:	DIGEST 262/380
BSI	:	BS5628
BSI	:	BS8000 Part 3
BSI	:	BS8215
NHBC	:	Standards 6.1

MANTHORPE BUILDING PRODUCTS LTD  
MANTHORPE HOUSE  
BRITAIN DRIVE  
CODNOR GATE BUSINESS PARK  
RIPLEY  
DERBYSHIRE DE5 3ND

TEL: 01773 303 000  
FAX: 01773 303 300  
EMAIL:  
[mbp.care@manthorpepb.co.uk](mailto:mbp.care@manthorpepb.co.uk)  
WEB:  
[www.manthorpepb.co.uk](http://www.manthorpepb.co.uk)

DRN M.L.W.O Date 24.06.19

The company maintains a policy of continuous development of its product range and reserves the right to amend the specification without notice.

DRG No

**MBP 8132**

Issue

**B**