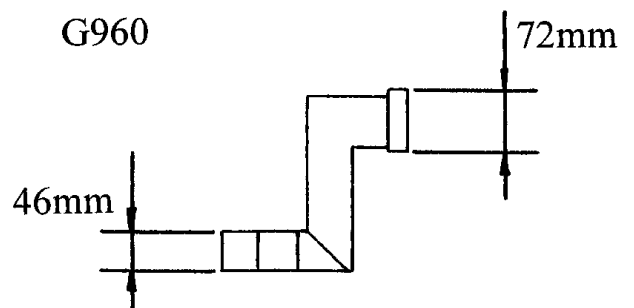
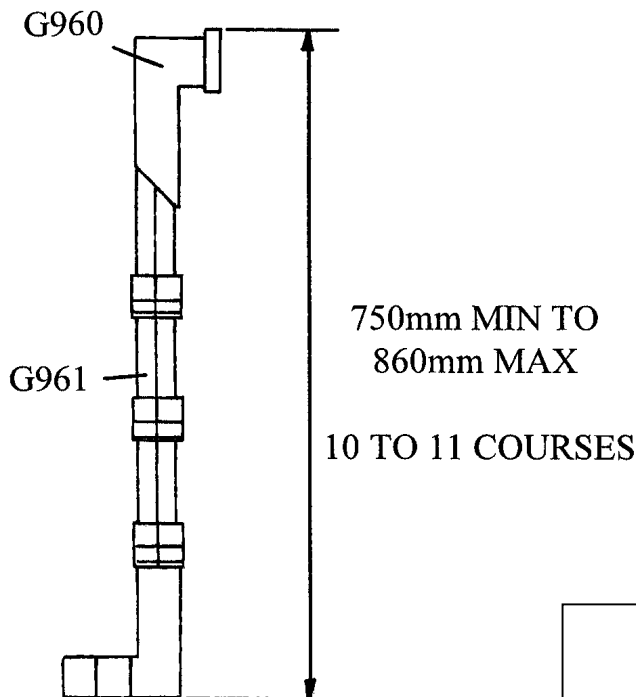
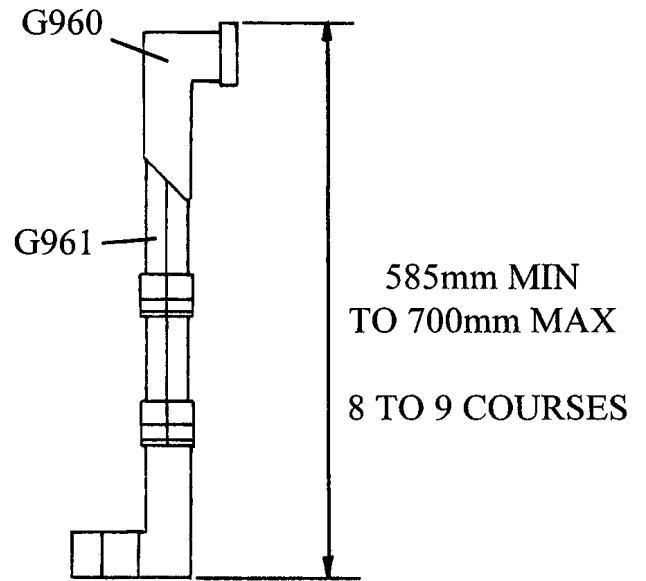
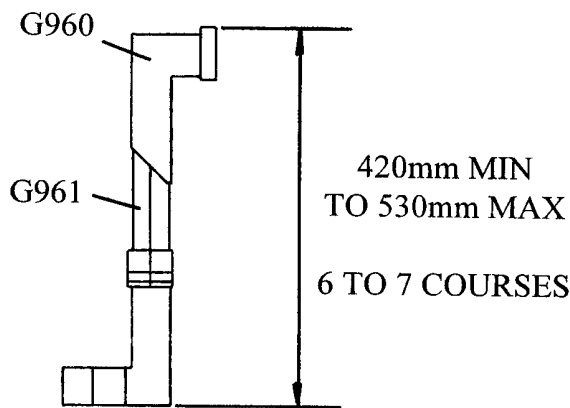
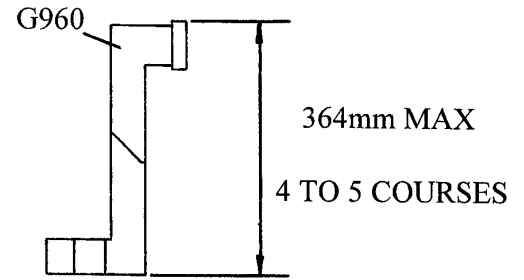
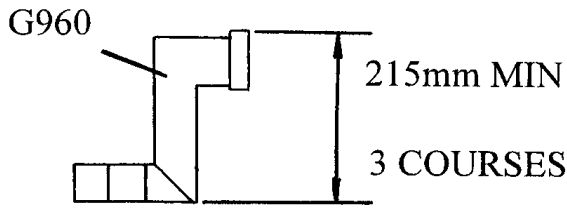


## G960, G961 COURSE CALCULATIONS



ADDITIONAL G961's CAN BE ADDED TO ACHIEVE ANY NUMBER OF COURSES.