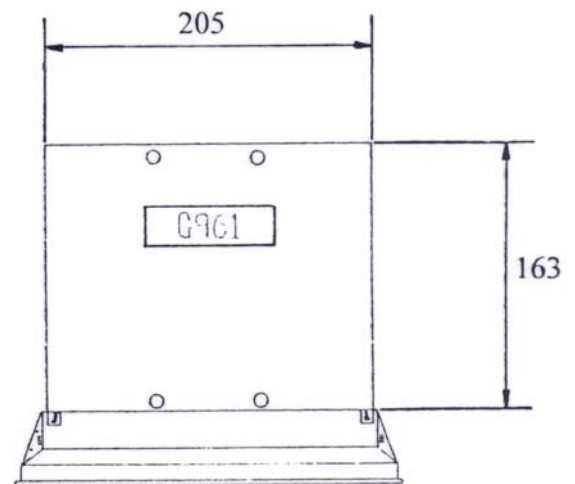
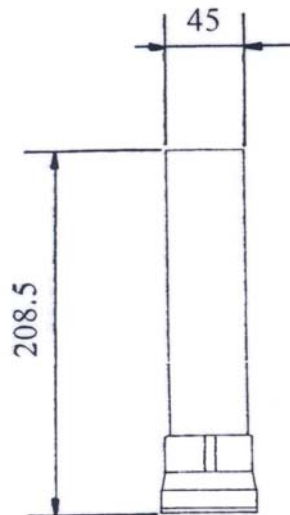
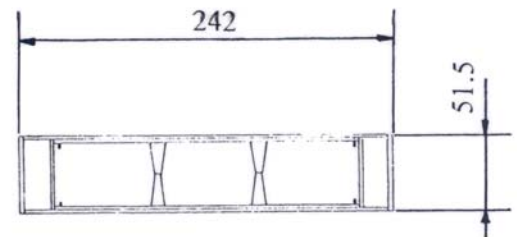
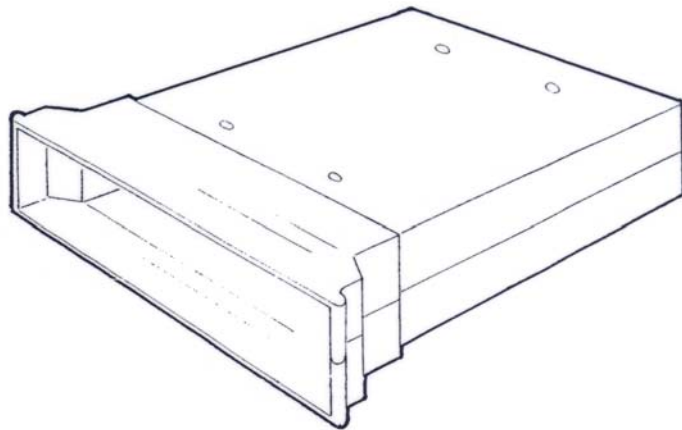


Vertical Extension Sleeve

CODE **G961**



Description:

The G961 Vertical Extension Sleeve is designed for use with the G960 Telescopic Under Floor Void Ventilator.

Each extension sleeve enables a further two course brick adjustment vertically. Alternatively the sleeve can also be clipped to the base of the G960 to provide horizontal extension through larger cavities or wider internal block work.

COLOURS	Black
PACKING DETAILS	Packed in 20's per cardboard box
WEIGHT	5kg per pack
MATERIAL	High Impact Styrene
MANUFACTURING PROCESS	Injection Moulded
FREE AIRFLOW	7,000mm ²

MANTHORPE BUILDING PRODUCTS LTD
 MANTHORPE HOUSE
 BRITAIN DRIVE
 CODNOR GATE BUSINESS PARK
 RIPLEY
 DERBYSHIRE DE5 3ND

TEL: 01773 303 000
 FAX: 01773 303 300
 EMAIL: mbp.care@manthorpebp.co.uk
 WEB: www.manthorpebp.co.uk

DRN M.L.W.O Date 21.06.19

The company maintains a policy of continuous development of its product range and reserves the right to amend the specification without notice.

DRG No

MBP 8059

Issue

B