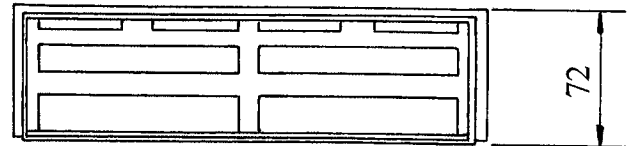
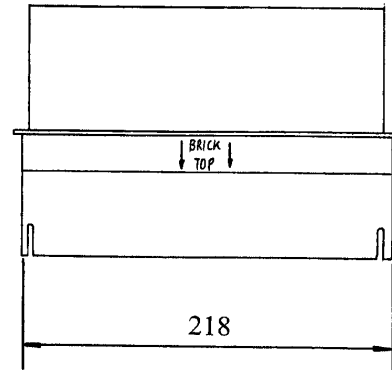
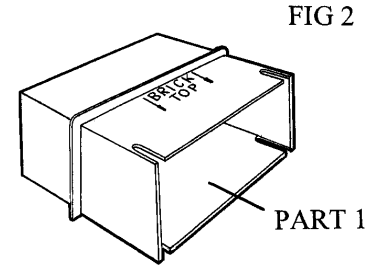
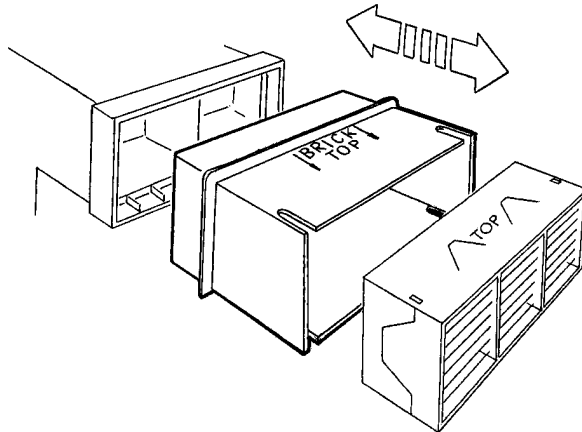
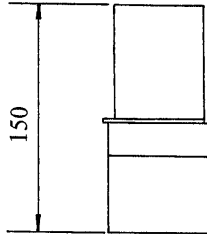
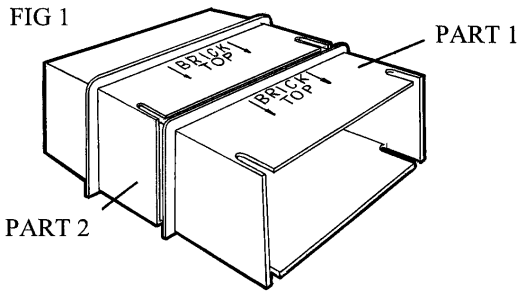


## G935 Fitted in a Plinth Brick Situation



### Description:

The G935 Combination Cavity Sleeve can be used to extend G960 Telescopic Under Floor Void Ventilator horizontally when used in a plinth brick situation to provide a clear air flow passage to the void underneath a suspended floor.

### References:

BRE: DIGEST 17/262  
 BRE: Floors, Flooring  
 BSI: BS5250  
 DOE: Building Regs C4  
 NHBC: Standards 5.2

FOR MORE DETAILED INFORMATION ON THE INDIVIDUAL PRODUCTS SEE PRODUCT INFORMATION SHEETS

G960 Telescopic Underfloor Ventilator MBP 8058  
 G935 Combination Cavity Sleeve MBP 8055  
 G930 Combination Air Brick MBP 8054

MANTHORPE BUILDING PRODUCTS LTD  
 MANTHORPE HOUSE  
 BRITAIN DRIVE  
 CODNOR GATE BUSINESS PARK  
 RIPLEY  
 DERBYSHIRE DE5 3ND

TEL: 01773 303 000  
 FAX: 01773 303 300  
 EMAIL: [mbp.care@manthorpebp.co.uk](mailto:mbp.care@manthorpebp.co.uk)  
 WEB: [www.manthorpebp.co.uk](http://www.manthorpebp.co.uk)

DRN M.L.W.O Date 24.06.19

The company maintains a policy of continuous development of its product range and reserves the right to amend the specification without notice.

DRG No

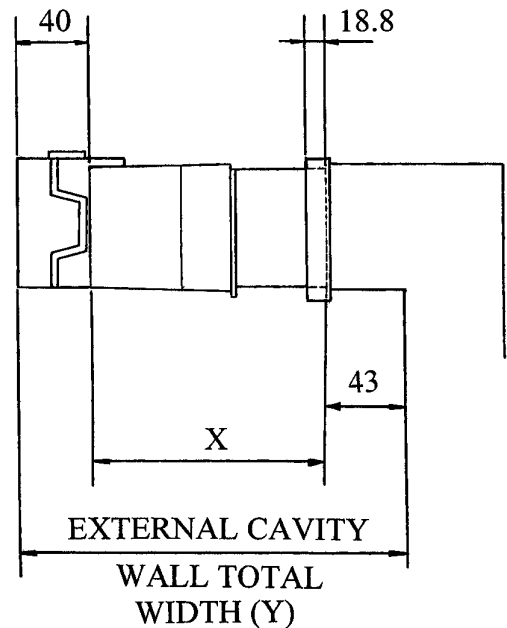
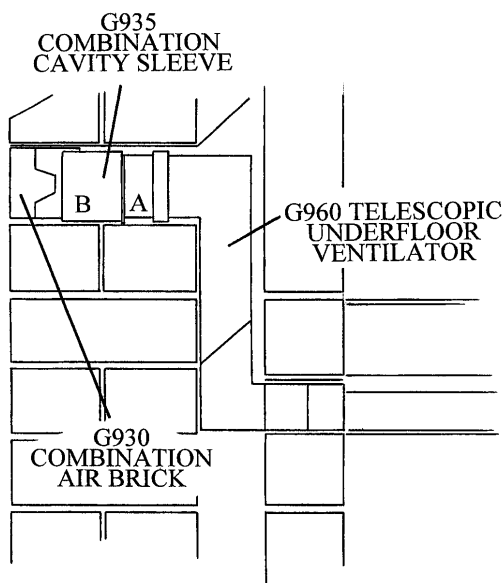
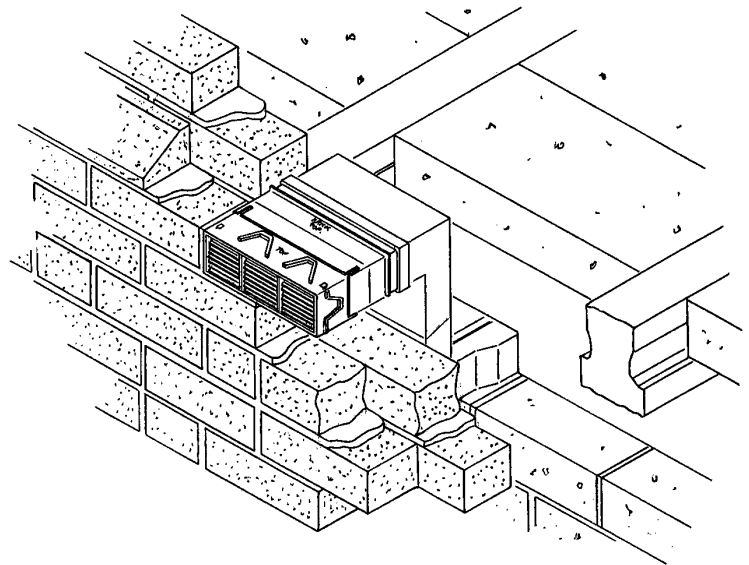
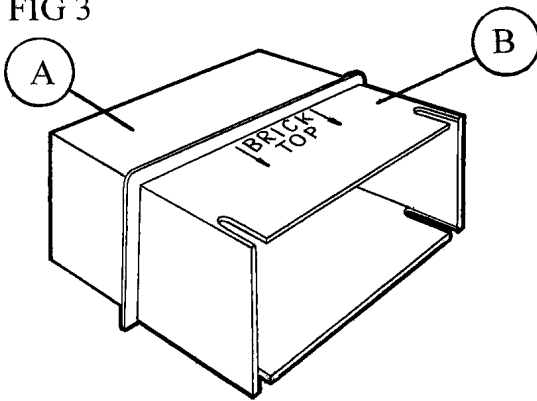
**MBP 8144**

Issue

**B**

## G935 Fitted in a Plinth Brick Situation

FIG 3



### Description:

The G935 Combination Cavity Sleeve is supplied as one unit but in two parts (figure 1) enabling it to have telescopic capacity. Remove one section (figure 2) and calculate the length of sleeve required to extend the G960 to the air brick. This can be done by using calculation formulae (right).

The G935 can be easily cut to length with a fine tooth saw remembering to cut from end (A) figure 3. Once cut simply fit end (A) into the G960 mouth and end (B) into the back of a G930 Combination Air Brick 9" x 3".

Bricklaying should then be completed as normal although care should be taken to keep the airflow passage clear of mortar droppings.

### Calculations:

$$Y - 40 - 43 - 5 = X$$

### Example:

Taking Y to be 200mm

$$200 - 88 = 112\text{mm G935 Length (X)}$$

MANTHORPE BUILDING PRODUCTS LTD  
MANTHORPE HOUSE  
BRITAIN DRIVE  
CODNOR GATE BUSINESS PARK  
RIPLEY  
DERBYSHIRE DE5 3ND

TEL: 01773 303 000  
FAX: 01773 303 300  
EMAIL:  
[mbp.care@manthorpebp.co.uk](mailto:mbp.care@manthorpebp.co.uk)  
WEB:  
[www.manthorpebp.co.uk](http://www.manthorpebp.co.uk)

DRN M.L.W.O

Date 24.06.19

DRG No

Issue

The company maintains a policy of continuous development of its product range and reserves the right to amend the specification without notice.

**MBP 8144**

**B**