

SPECIAL INSTRUCTIONS – “Marine Band Adapter”

Fits: Hohner Marine Band; Crossover; or other similar-sized harps

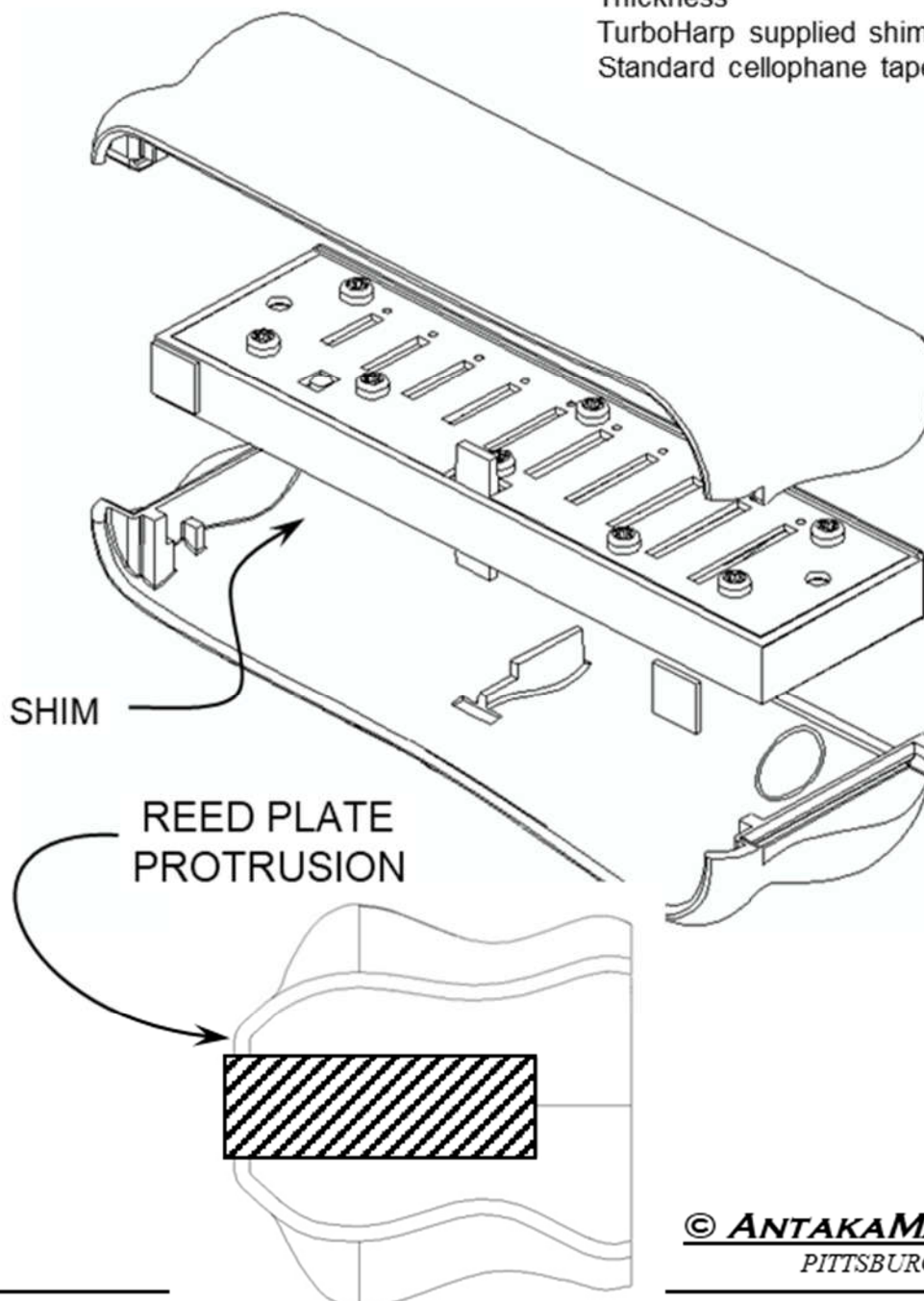
Assembly Instructions

1. Remove backing from adhesive on back of adapter shim.
2. Apply to rear of harmonica comb, taking care to center it both horizontally and vertically.
3. Proceed with usual TurboLid assembly instructions.
4. Assure that there is satisfactory protrusion of reed plates from front of TurboLid. Apply one or two pieces of tape for fine adjustments.
5. *NOTE: Wooden combs will swell over time. This may require some sanding to assure good fit.*

Thickness

TurboHarp supplied shim - 0.093”

Standard cellophane tape - 0.005”



© **ANTAKAMATICS, INC.**
PITTSBURGH, PA