

Round flush pull privacy kit inc. SP61 & 2801



Product Code: FP51112-65-SN

Description:

A round flush pull that epitomises understated elegance and brings enduring, designer appeal to any door. Ideal in any environment, this narrow-line design visually emphasises weightlessness, yet is solidly crafted. Featuring a privacy turn snib for locking, an emergency release for fast access in emergency situations, tubular-style sliding door privacy lock and an oval-shaped edge pull.

Material:

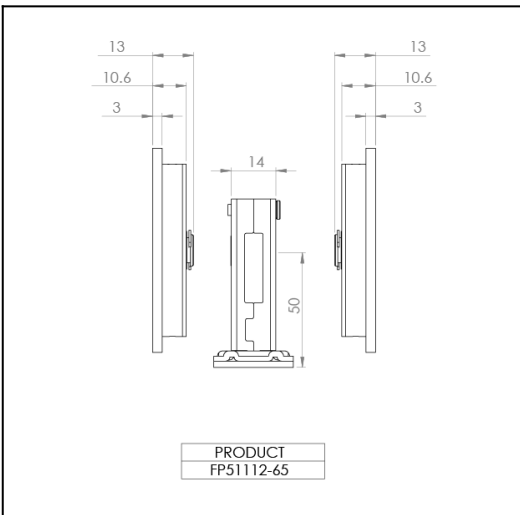
Brass

Finish:

Satin Nickel



<http://www.designerdoorware.com.au/catalogue/53779>



Line Drawings

As a generic representation of the product, Line Drawings are designed for general use only and may not reflect specifics for all product options such as individual functions or sizes etc.

Contact Us

For any further clarification of this product information or for help and advice, please call us on +613 9300 8888.

Designer Doorware reserves the right to make changes in design, specification, or additions and improvements to our products without notice. Under no circumstances is Designer Doorware obliged to manufacture current products as previously supplied. Designer Doorware is not responsible for additions, alterations or assembly made to our products by others. By downloading this information, you accept and are bound by the Terms & Conditions of this website.

For full Terms & Conditions and Product Warranty information refer to www.designerdoorware.com.au.

© Designer Doorware - 7 Kimpton Way, Altona VIC 3018 Australia.