

## Mushroom door stop Ø32mm



**Product Code:** DS2-32-SN

**Description:**

A cleverly designed, discreet, floor mounted door stop with a graduating, round point of contact to minimise any impact of the door stop on your door. Diecast in zinc and narrow in profile, this door stop has a minimal footprint and is easily mounted to suitable floors. It is particularly designed to fit doors of light to medium weight and low density surface. 32mm in diameter, it can minimise the space between your door and wall, potentially giving a very flush, open-door position while firmly stopping the door.

**Material:**

Brass

**Dimensions:**

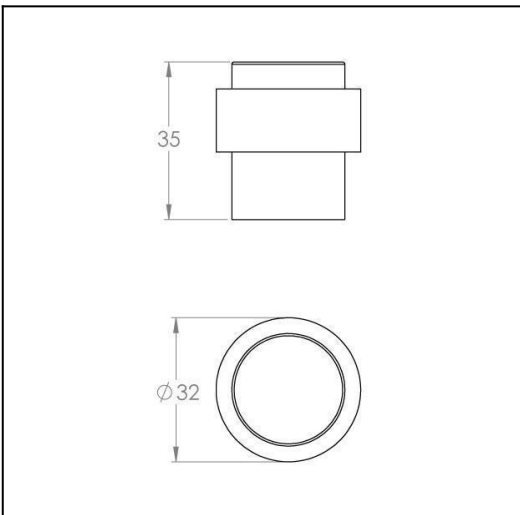
Overall h35 x diameter 32 mm (see line drawing download)

**Finish:**

Satin Nickel



<http://www.designerdoorware.com.au/catalogue/13809>



**Line Drawings**

As a generic representation of the product, Line Drawings are designed for general use only and may not reflect specifics for all product options such as individual functions or sizes etc.

**Contact Us**

For any further clarification of this product information or for help and advice, please call us on +613 9300 8888.

Designer Doorware reserves the right to make changes in design, specification, or additions and improvements to our products without notice. Under no circumstances is Designer Doorware obliged to manufacture current products as previously supplied. Designer Doorware is not responsible for additions, alterations or assembly made to our products by others. By downloading this information, you accept and are bound by the Terms & Conditions of this website.

For full Terms & Conditions and Product Warranty information refer to [www.designerdoorware.com.au](http://www.designerdoorware.com.au).

© Designer Doorware - 7 Kimpton Way, Altona VIC 3018 Australia.