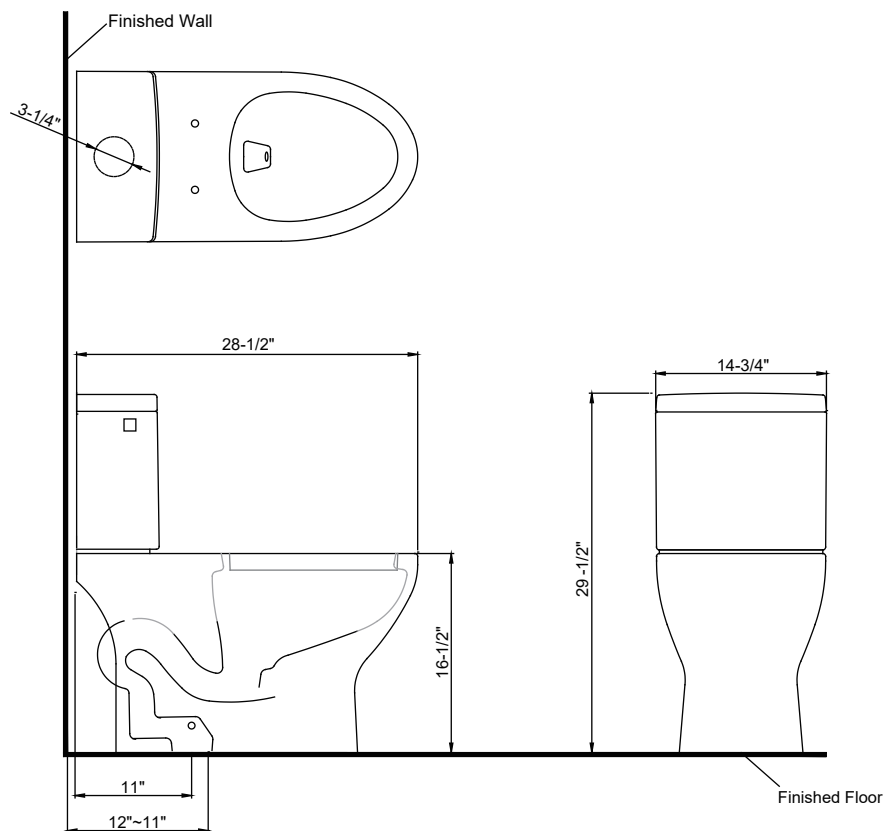


M PRO SENSE
 Touchless
 Two-piece toilet
 with motion sensor
 automated flush




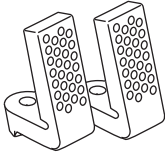
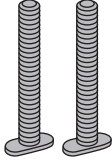

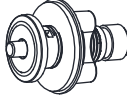
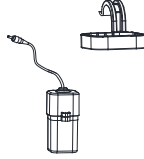
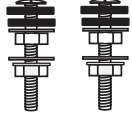

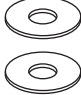



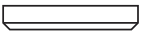
US-PRO6005CW

US-PRO8005CW

Installation Instructions

PARTS SUPPLIED:

Check to make sure that all these parts are included in the package:

	 Clip - qty. 2	 Bolt - qty. 2	 Nut - qty. 2	 Flush Button qty. 1	 Sensor module & holder qty. 1	 Tank fitting parts qty. 2
	 Screw - qty. 2	 Washer - qty. 2	 Cap - qty. 2	 Protector sleeve qty. 2	 Sensor - qty. 1	 Gasket - qty. 1

TOOLS REQUIRED:

- 12" pipe wrench
- 10" adjustable wrench
- Carpenter's level
- Tape measure
- Screwdriver
- Putty knife
- Drill
- Pliers
- For wood floor installation:
 - 11/64" drill bit for mounting block
- For concrete/tile installation:
 - 11/32" drill bit for mounting block

MATERIALS REQUIRED:

(Not Included)

- Flexible supply tube/connector
- Supply stop valve
- Mounting (T) bolts & nuts (2pc)
- Wax ring/seal

BEFORE INSTALLATION:

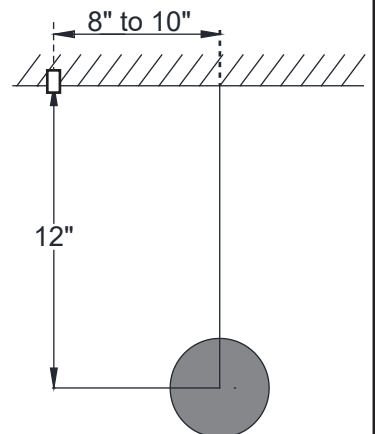
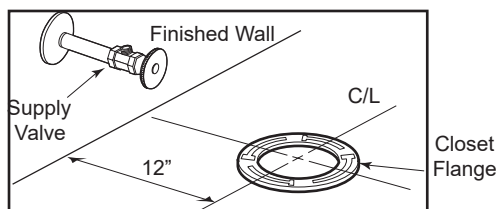
- Check for any damage that may have occurred during transport. **Note: Damage claims cannot be made during or after installation.**
- Read these instructions thoroughly before beginning work and retain for future reference.
- Please leave instructions for customer. These instructions contain maintenance and warranty information.
- Remove the existing toilet. If new construction, purge the supply line.

SPECIFICATION:

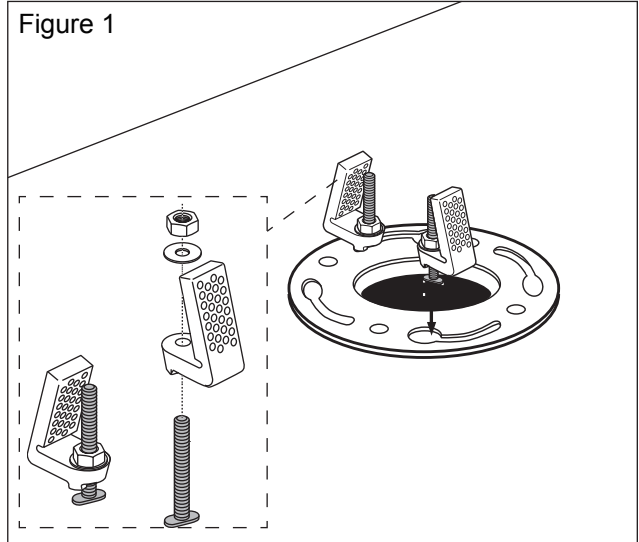
Working temperature	2°C - 45°C
Working pressure	0.18MPA – 0.8MPA(static pressure)
Power	Sensor: DC 4.5V (3pcs AAA batteries) Sensor control module: DC 6V(4pcs AA batteries)
Water inlet	Bottom inlet
Maximum distance between sensor and cistern tank	3m (No objects between)
Sensor flushing distance	25 – 40mm

In order to fit correctly, please check the following dimensions:

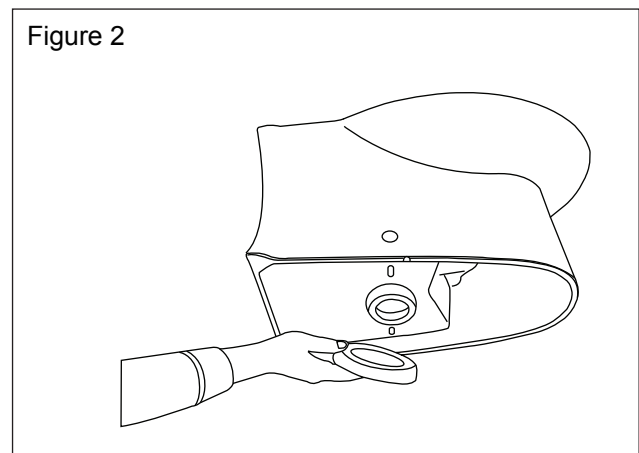
- 1) The distance between the finished wall and the center of the closet flange must be 12". Water supply should be approximately 8" to 10" to the left.
- 2) The water supply should be approximately 8" to 10" to the left (facing the bowl) from the center line of the closet flange, and approximately 6" above the finished floor.



- 1) Clean any debris out of the closet flange (not supplied) then install the mounting bolts into the slot of the flange head down with the threaded shank of the bolt pointed upward as shown (see Figure 1).
Slide each bolt until the end of slot.



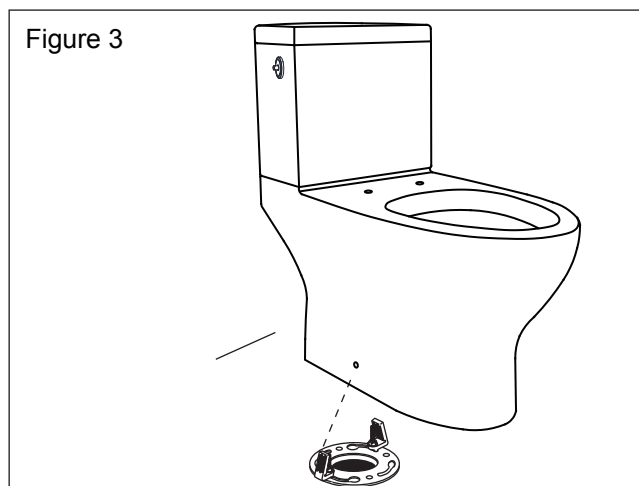
- 2) Firmly press a new wax seal (not supplied) onto the circular recess around the outlet opening (see Figure 2).



- 3) Place the toilet bowl over the socket and mounting blocks (see Figure 3).

CAUTION:

- To prevent water and odor leakage, please ensure that the wax seal is fitted properly between the socket and the flange. Do not overtighten the nuts as damage to the plastic parts may result.

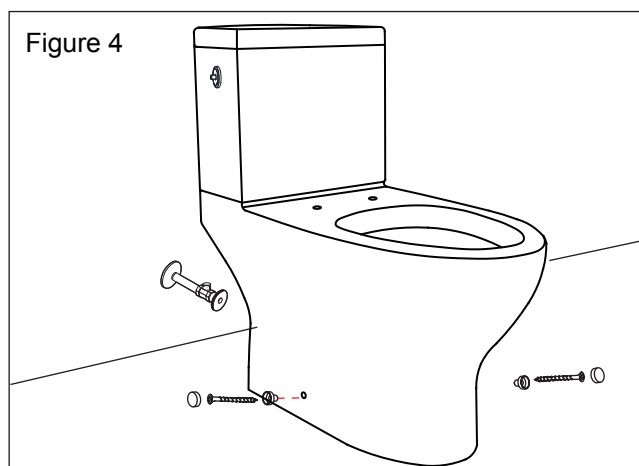


- 4) Fit protector sleeves and install side screws. Cover the screw head with the provided screw cap (see Figure 4).

CAUTION:

- In order to prevent leakage, be sure to insert the toilet all the way into position.

- 5) Carefully place the lid on top of the tank.

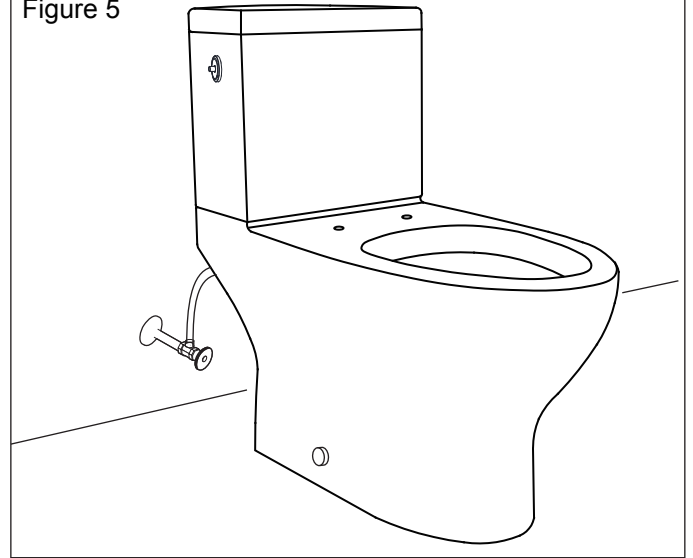


After Installation/Adjustment

Flush the toilet two to three times to confirm there is no water leakage and that the lever mechanism is working properly.

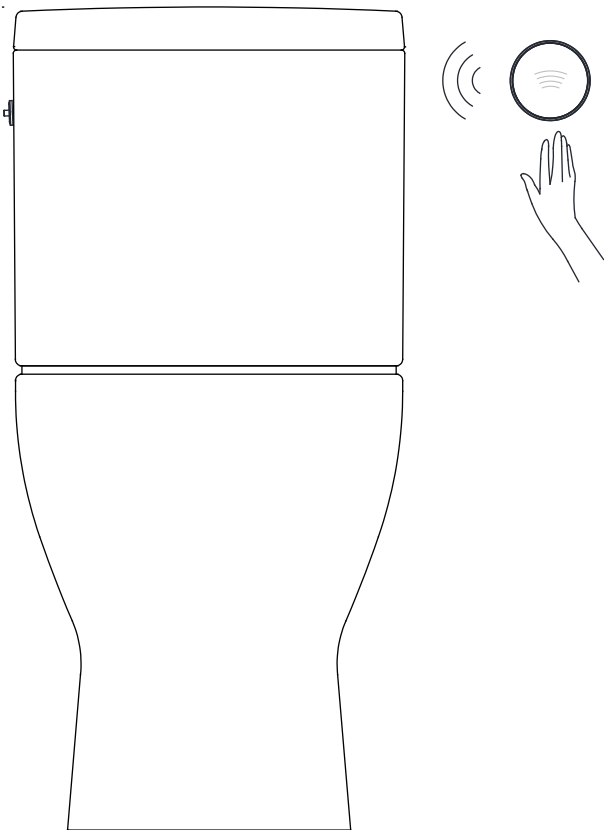
- 6) Connect the opposite end of the water supply hose to the angle stop (see Figure 5). A flexible supply hose is recommended. Hand tighten only - do not use plumber's putty or other sealants. Open the supply valve and flush the toilet several times. Check all the connections for leaks and periodically afterwards following the installation.

Figure 5



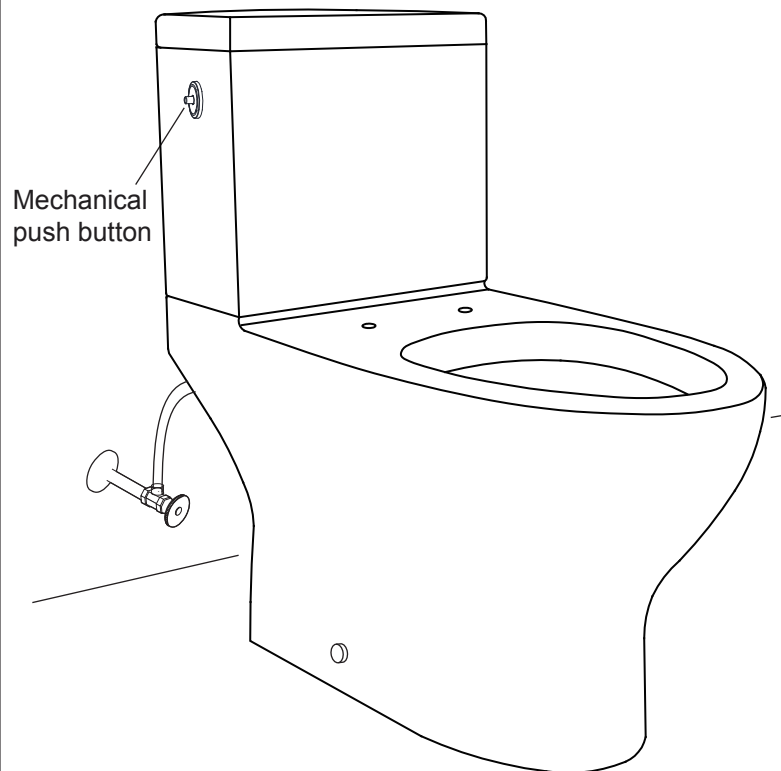
Usage Instruction

Wave-sensing flush



Mechanical push button flush

(In case no battery or sensor doesn't function properly)



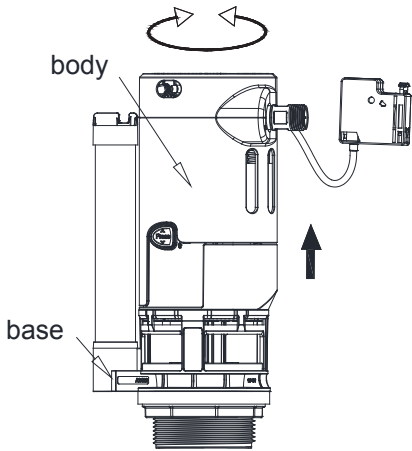
Note: This product is driven by water pressure. Before using, make sure to fully open the angle valve of the water supply pipe and ensure that the water supply pressure is within the range of use. In the case of suspension of water supply, it can't be flushed even if there's water in the tank.

Valve Installation Instruction

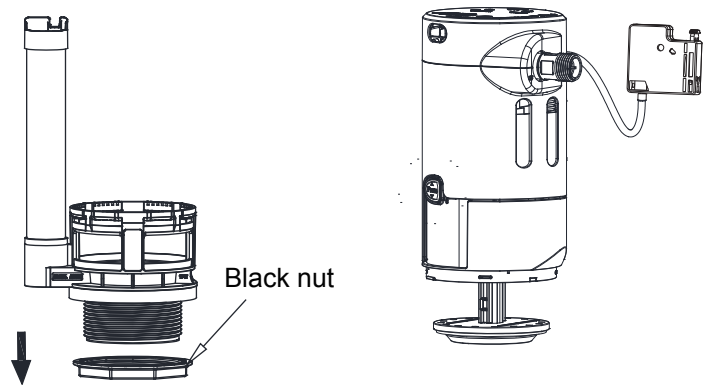
Replacement Installation

Please read the instruction carefully to avoid damage to the valve and to ensure correct installation.

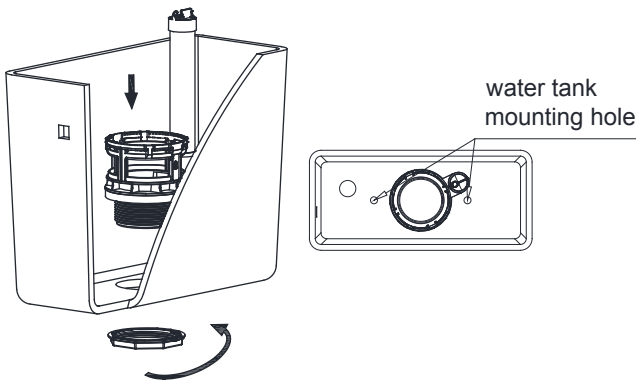
- Turn off water supply and flush the toilet.
- Remove the tank lid and place it upside down on a clean surface.
- Record the orientation of the flush valve for reassembly.



1) Remove the valve body from the base.



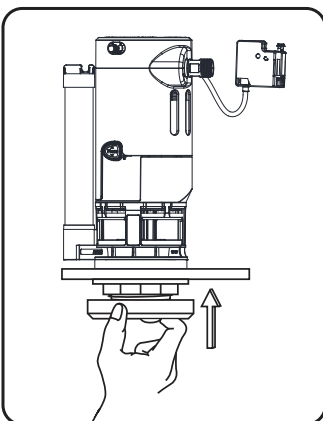
2) Loosen the back nut from the base of valve.



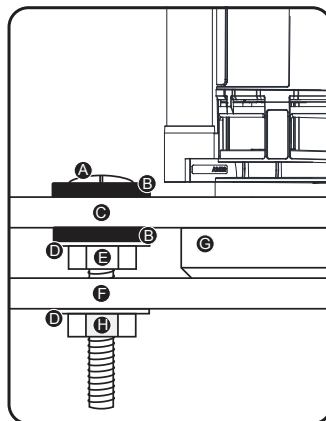
3) Tighten the back nut.
Note: The base must not block the tank mounting holes.



4) Lock the valve body onto the base.



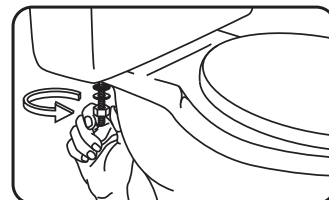
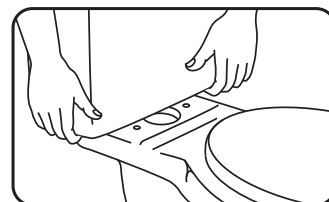
5) Slide new tank-to-bowl gasket over the nut with the narrow side facing down. Gasket should cover the nut completely.



6) Correct order of bolts, washers and nuts:

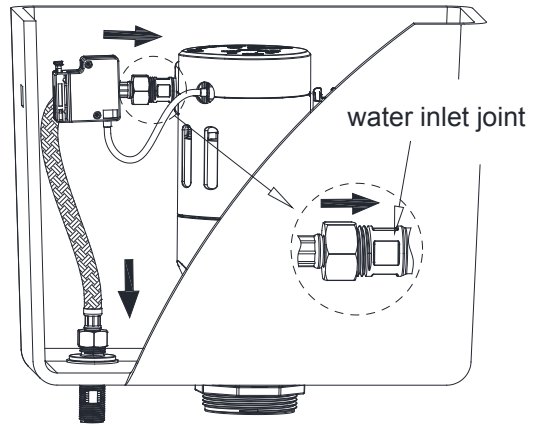
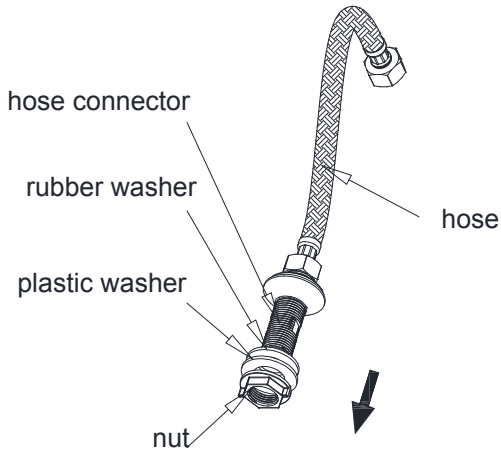
- A) Bolt head
- B) Rubber washer
- C) Toilet tank
- D) Metal washer*
- E) Metal hex nut*
- F) Toilet bowl
- G) Tank-to-bowl gasket

NOTE: Place metal washers and hex nuts onto brass bolts before installing the tank on the bowl.



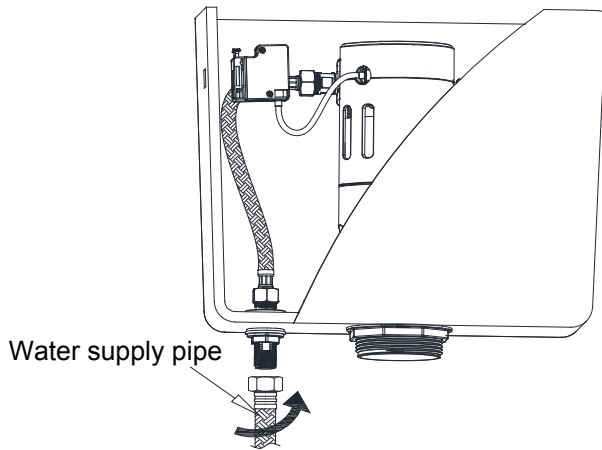
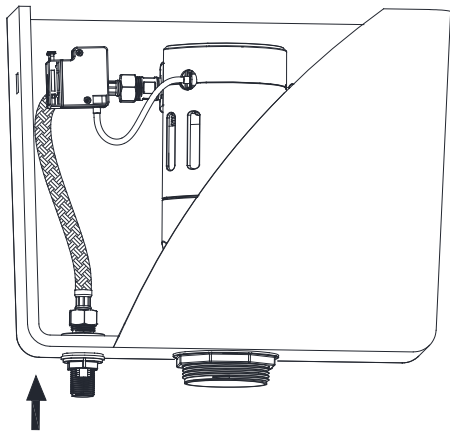
7) Optional: Before replacing the tank on the bowl, place a metal washer and hex nut onto the bolt under the tank and hand tighten until snug. Then place the tank back on the bowl so that the tank-to-bowl gasket fits evenly. Level the tank. Under the bowl, attach a rubber washer, a metal washer and a nut. Tighten the nuts under the bowl evenly until the tank is stable and doesn't rock.
DO NOT OVERTIGHTEN or the tank or bowl could break.

Water inlet hose installation



1) Take off the fixing nut, washers from the hose connector.

2) Connect hose to the flush valve. Insert hose connector end to the inlet hole of cistern.

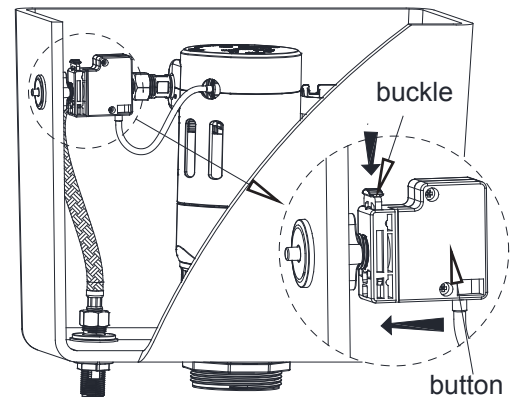
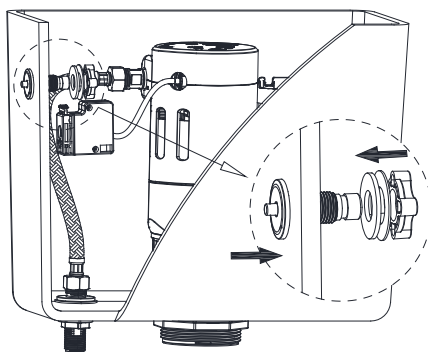
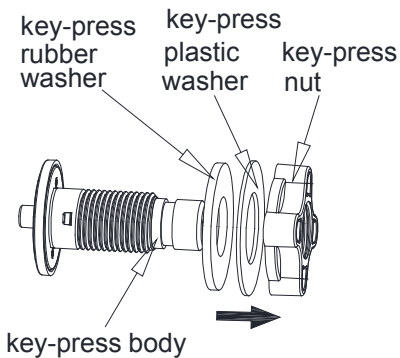


3) Fix the hose by rubber washer, plastic washer and fixing nut.

4) Connect and turn on the water supply.

WARNING! DO NOT OVER TIGHTEN.

Push button installation

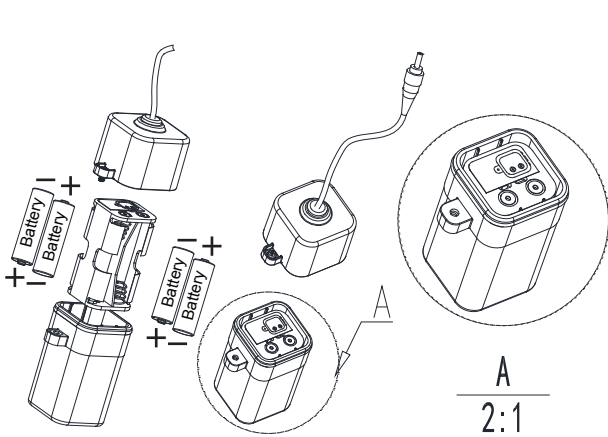


1) Take off the nut, plastic washer and rubber washer.

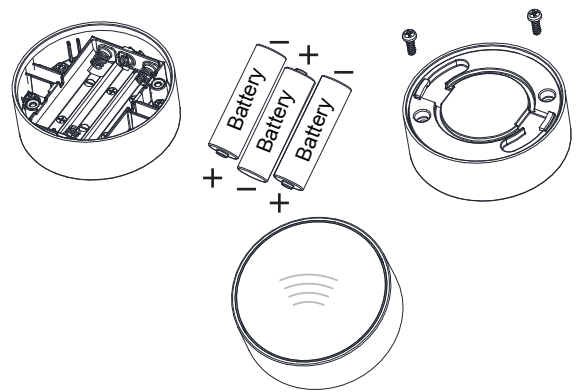
2) With the button facing outward, fix the button to cistern.

3) Press the buckle and insert the box into the button.
Flush the toilet several times to check for proper operation.
Check for any leak.

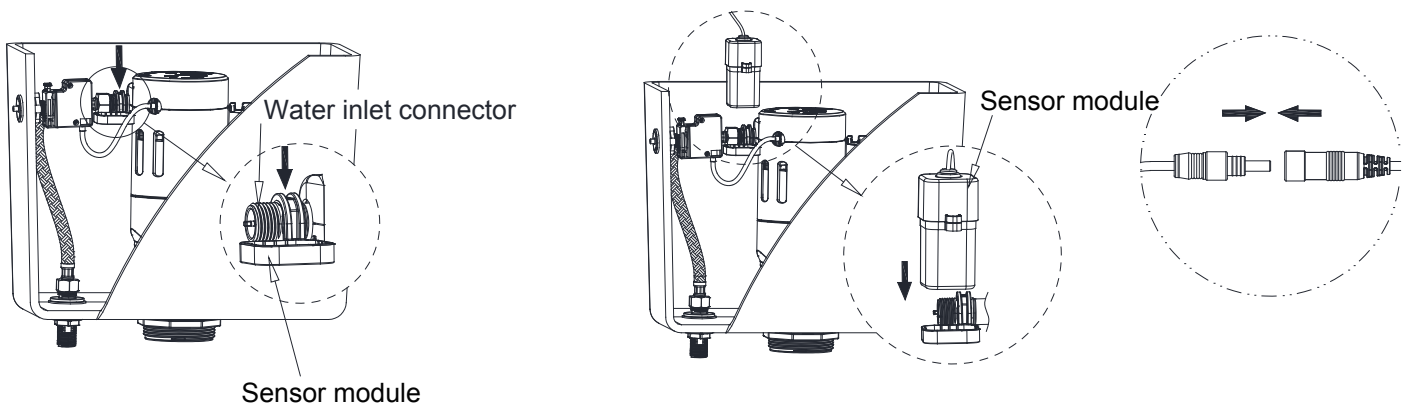
Sensor module and sensor Installation



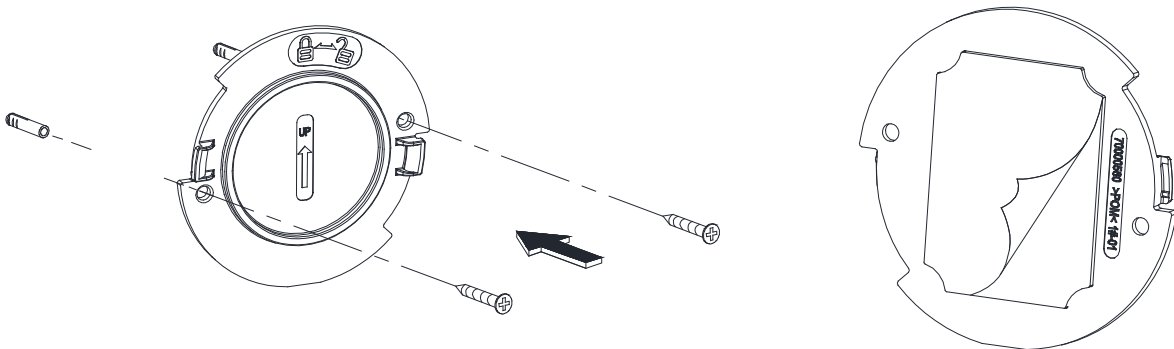
- 1) Put 4pcs AA batteries (not supplied) into the sensor module and tighten the screws.



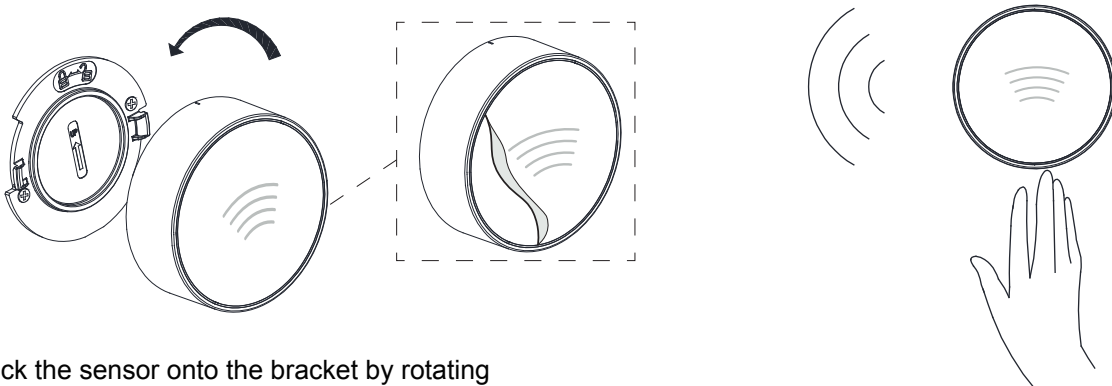
- 2) Put 3pcs AAA batteries (not supplied) into the sensor and tighten the screws.
Attention: this step has to be finished within 3 minutes after step 1 so the code match will be automatically done. Otherwise, redo step 1 and step 2



- 3) Clip the sensor module holder onto the water inlet connection part on the valve body. Then insert the sensor module into the holder. Then connect the sensor module with the DC connector on the valve body.



- 4) Rotate sensor clockwise to take the wall bracket off. Fix the wall bracket onto the wall by using screws or tape as shown in above.



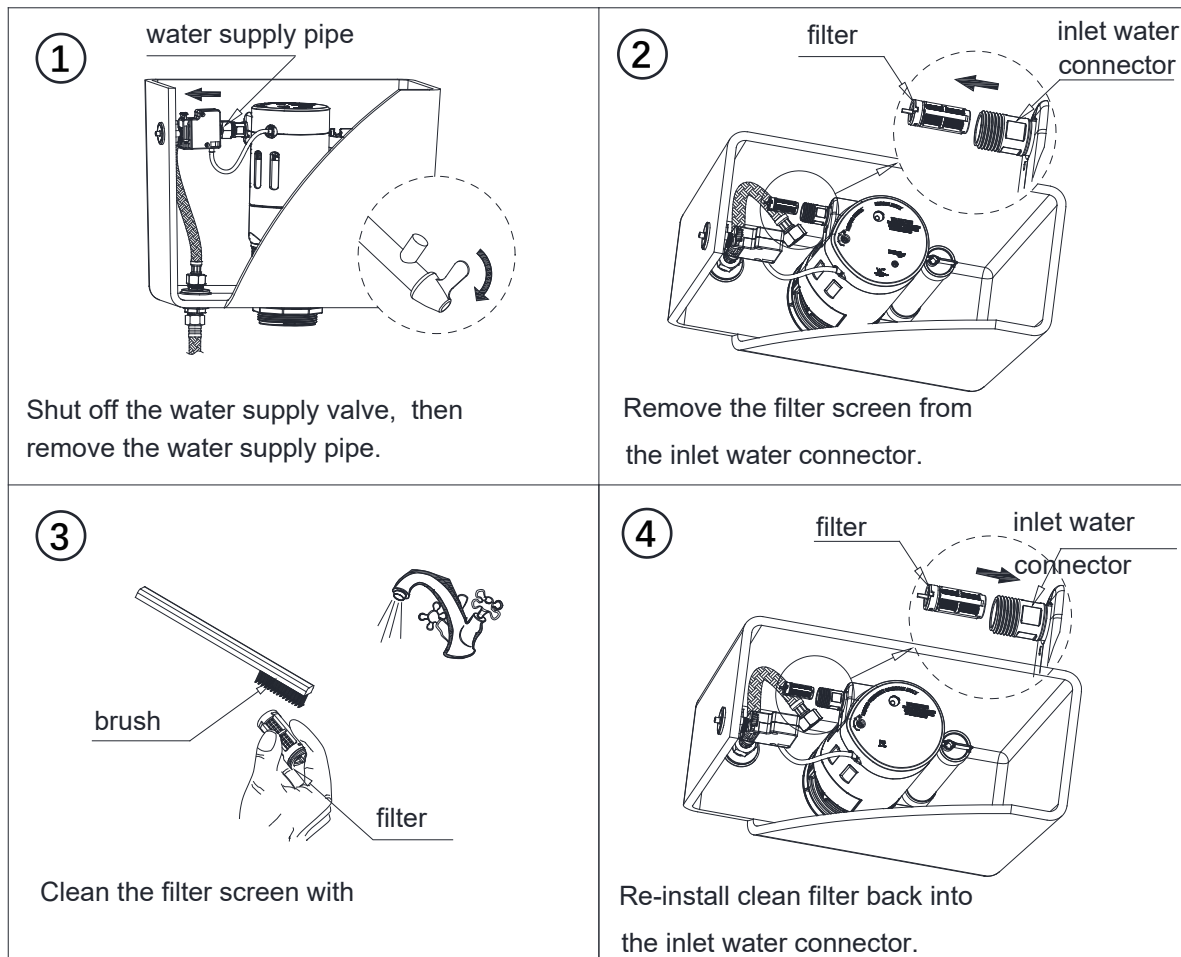
- 5) Lock the sensor onto the bracket by rotating sensor anti-clockwise.
Note: there is a protection film on the surface of sensor which can be removed if needed.

- 6) Wave hand in front of sensor to flush the toilet within 40mm.
Note: Do not install the product in a wet room.

Care and Maintenance

1. Please do not use corrosive solvents or any related chemical ingredients in the water tank.
Solvents containing chlorine or hypochlorite will seriously damage the tank fittings, resulting in water leakage.
2. Stay away from high-power electronic devices, so as not to affect the use of products.
3. Recommend to check the filter regularly for blockage. If it is, please clean the filter blocked as shown below.

Cleaning filter



Trouble shooting

Problem	Possible cause	Corrective action
Water not shut off when use the product 1 st time	The solenoid valve inside the valve body is automatically opened due to impact from transportation or installation.	Please flush the toilet via the sensor once.
Little or no flush	<ol style="list-style-type: none"> 1. Battery with low power; 2. Filter is dirty; 3. Water supply angle valve closed; 4. Water pressure too low; 	<ol style="list-style-type: none"> 1. Change battery; 2. Clean the filter; 3. Open angle valve; 4. Normal supply pressure must be at 0.18MPA – 0.8MPA (static pressure)
The sensor module can light up by sensing, but does not flush	<ol style="list-style-type: none"> 1. The sensor module is not connected to valve body properly; 2. The sensor and sensor module are not matched. 	<ol style="list-style-type: none"> 1. Check connection and reconnect sensor module properly. 2. Re-match codes between sensor module and sensor.