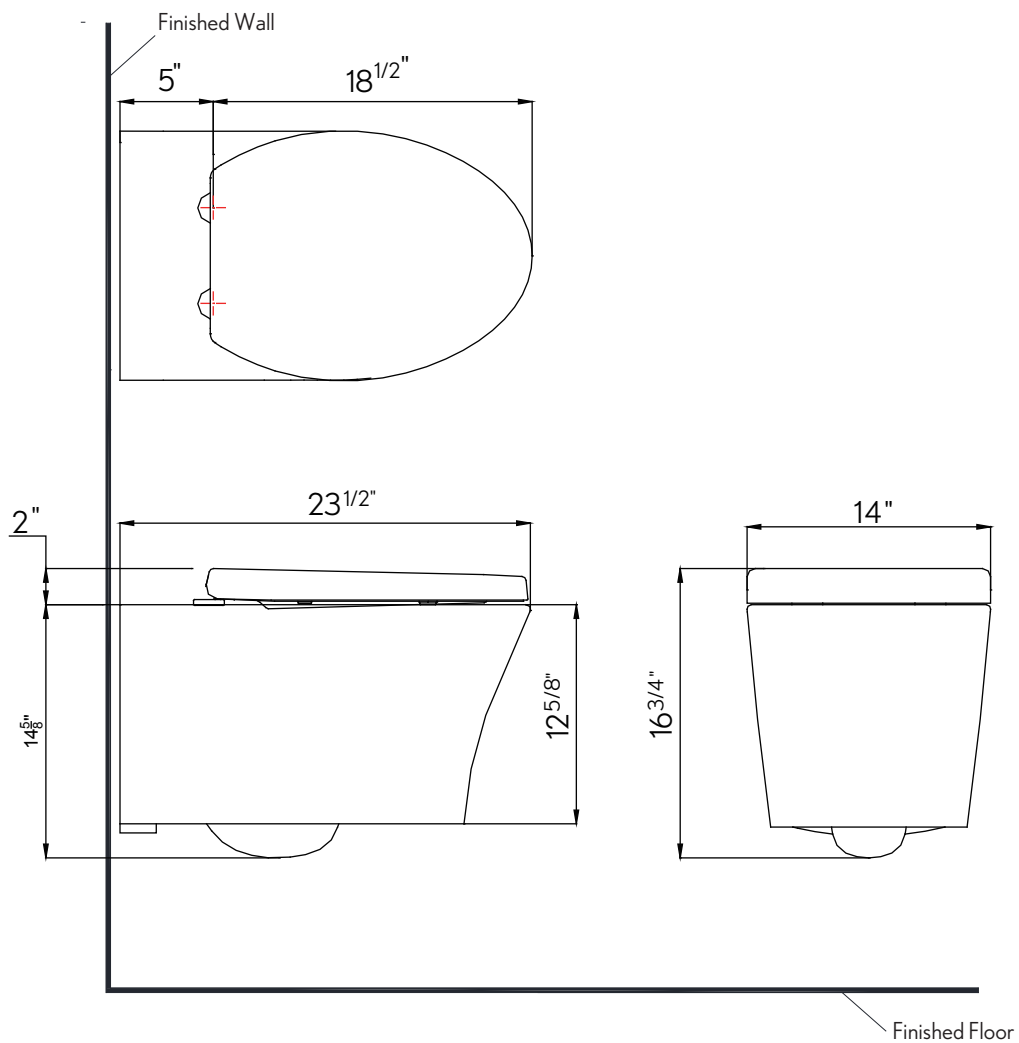
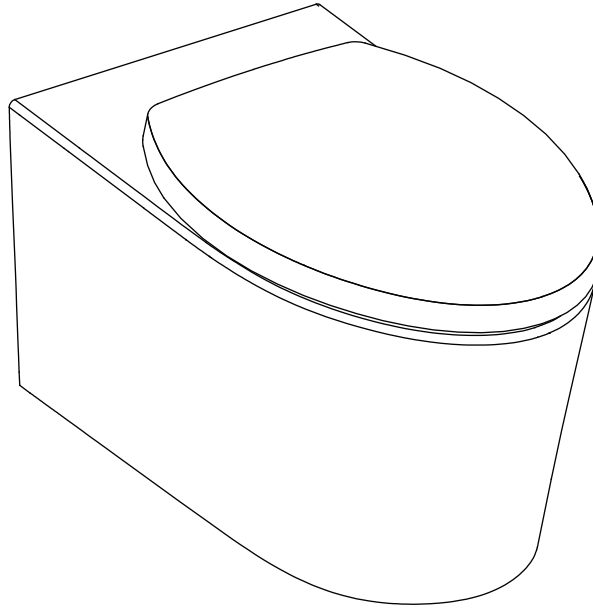


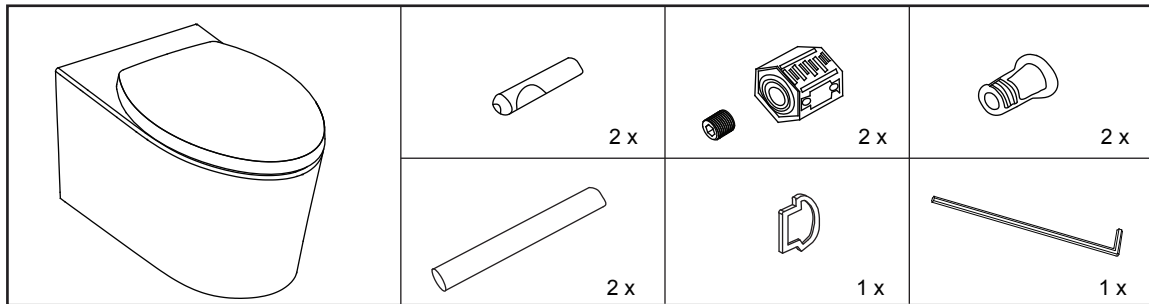
MPRO Wall-hung Toilet
US-PRO1050WH
US-PRO1050MB



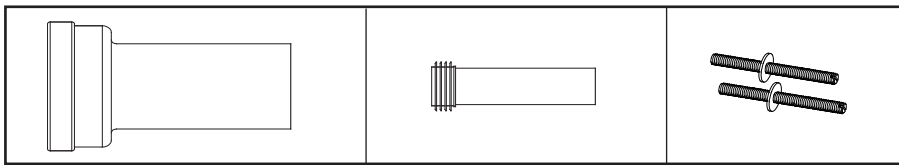
Installation Instructions

PARTS SUPPLIED:

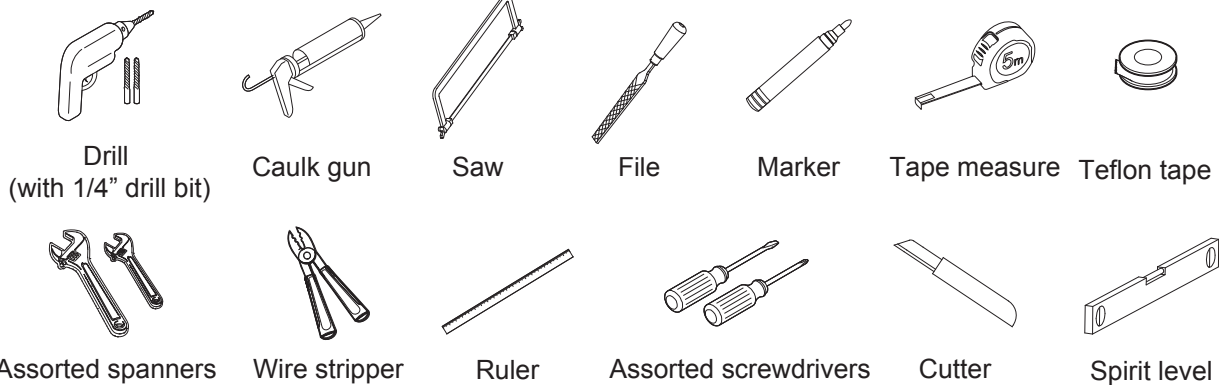
Check to make sure that all these parts are included in the packaging:



Required accessories from in-wall carrier(not supplied with ceramic bowl)



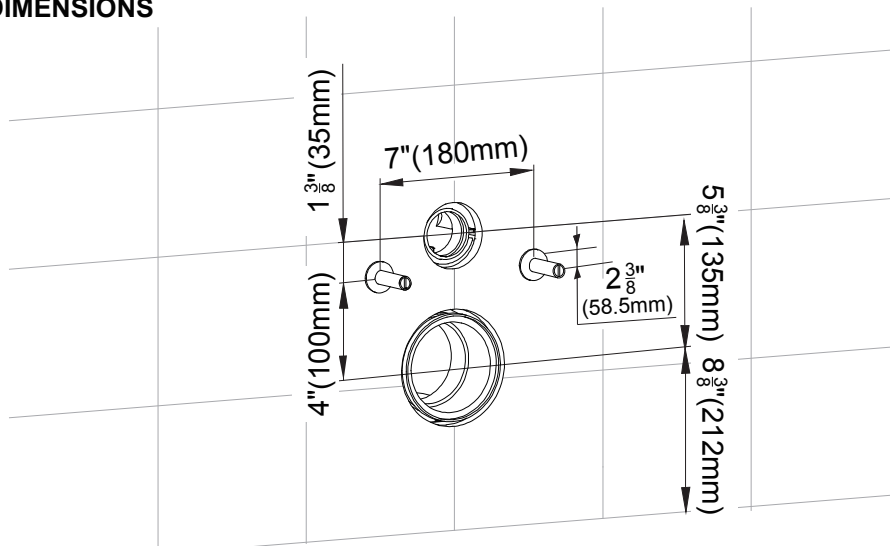
INSTALLATION TOOLS



BEFORE INSTALLATION

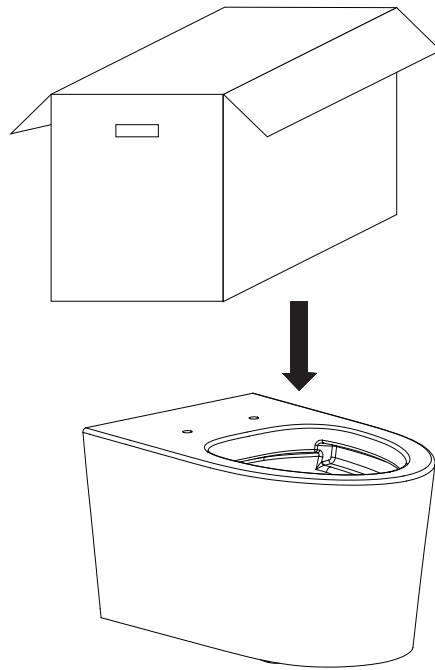
- Check for any damage that may have occurred during transport. **Note: Damage claims cannot be made during or after installation.**
- Read these instructions thoroughly before beginning work and retain for future reference.
- Please leave instructions for customers. These instructions contain maintenance and warranty information.
- Remove the existing toilet. If new construction, purge the supply line.

INSTALLATION DIMENSIONS



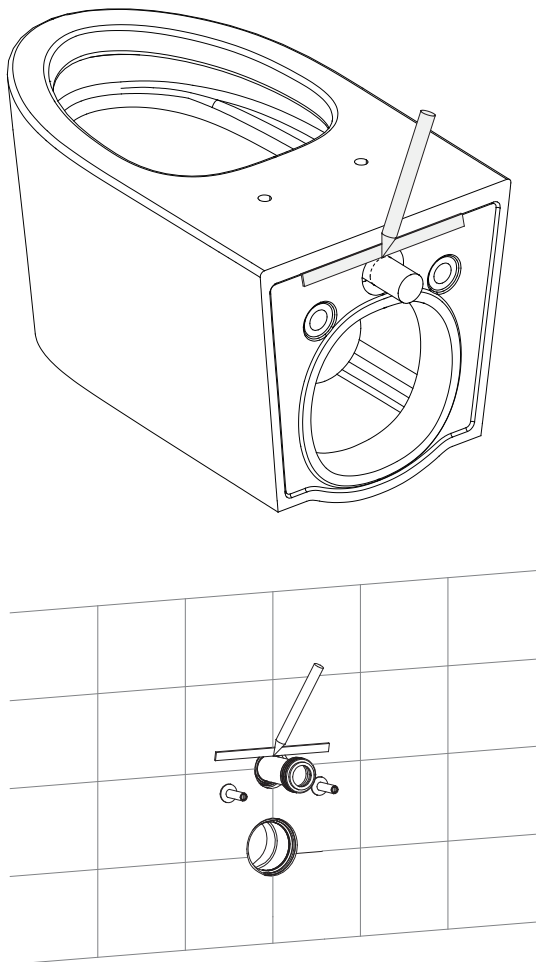
INSTALLATION PROCEDURES

1. Unpack and confirm the list of supplied parts.

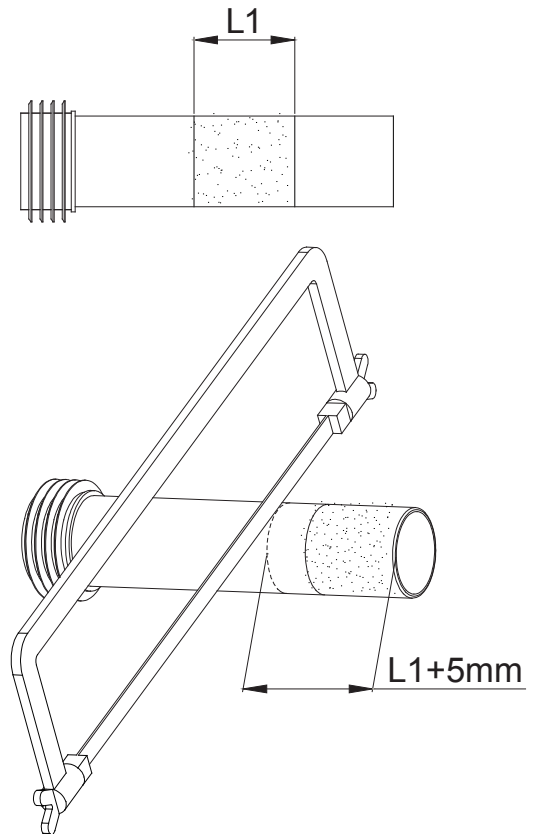


Step 2 to 8 are for reference, please refer to the instruction supplied with in-wall carrier for details.

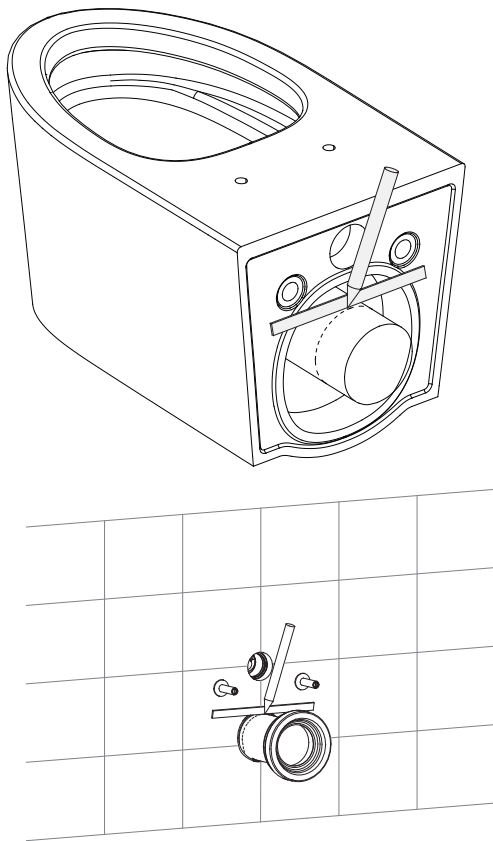
2. Measure the flush pipe.



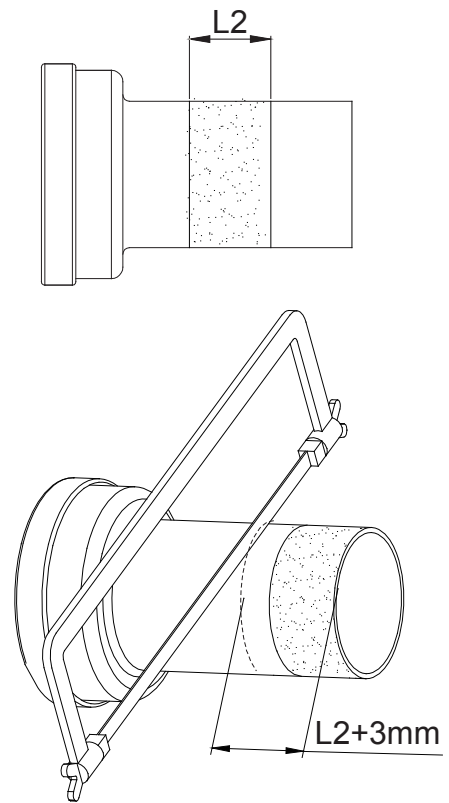
3. Cut off the excess pipe.



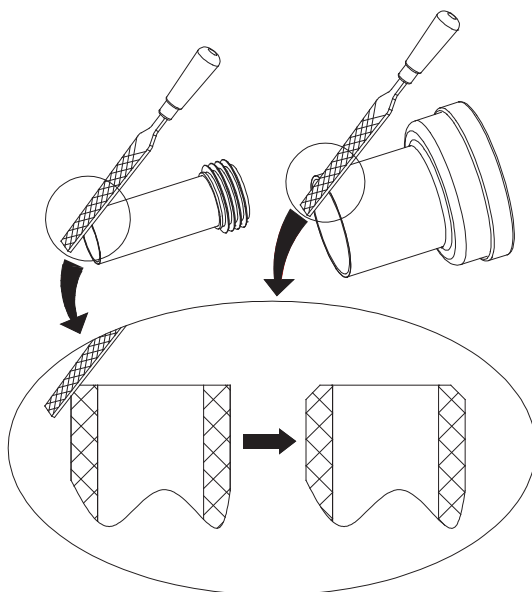
4. Measure the drain pipe.



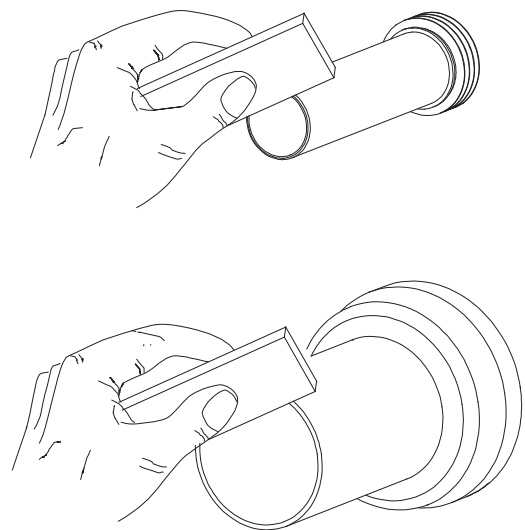
5. Cut off the excess pipe.



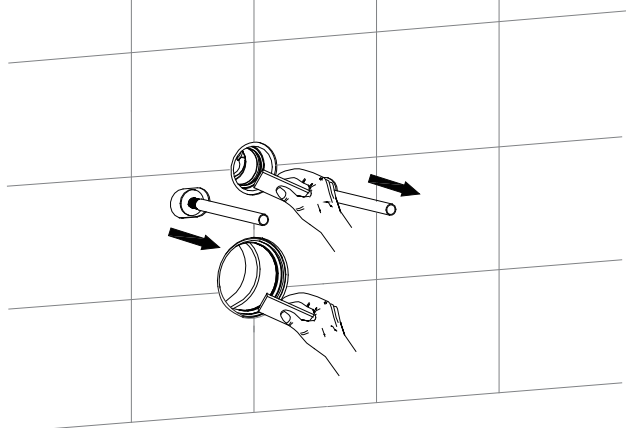
6. Bevel and deburr the sharp edges.



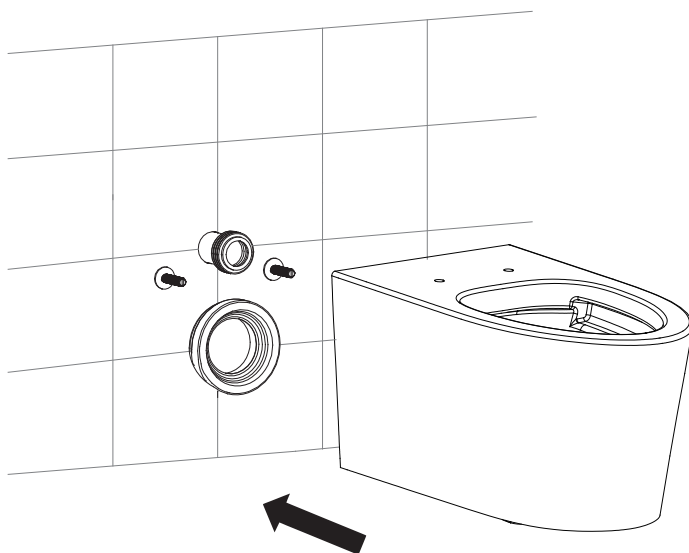
7. Apply silicone oil on the cutting surface.



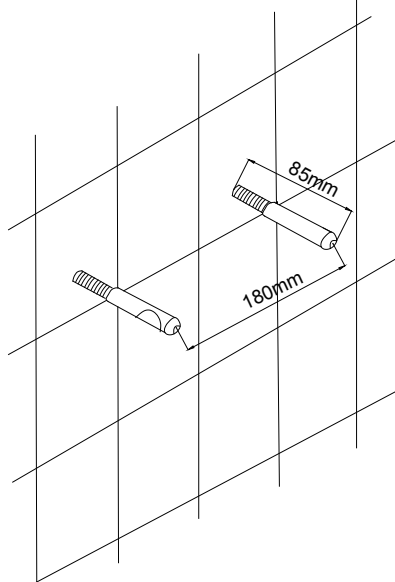
8. Remove the protective sleeve on bolts (if supplied from in-wall frame).
Apply silicone oil on the in-wall flush pipe and drain pipe orifice.



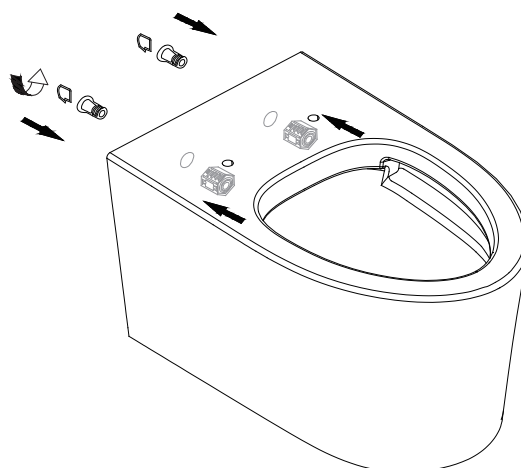
9. Place the toilet against the wall.



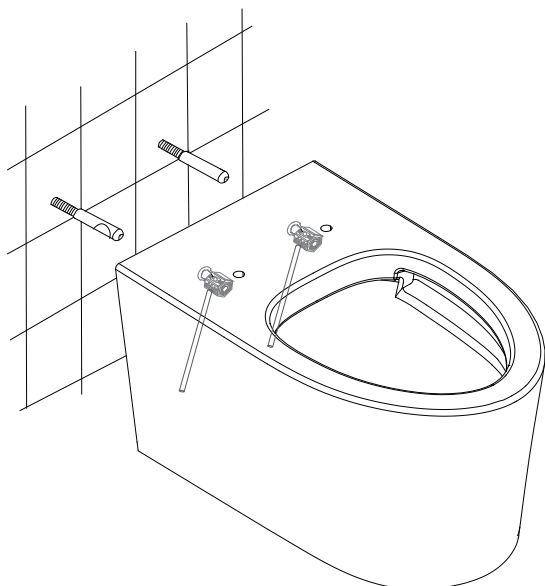
10. Fit the fixings into wall hung holes.
Fixing bolts on WC frame (not supplied).



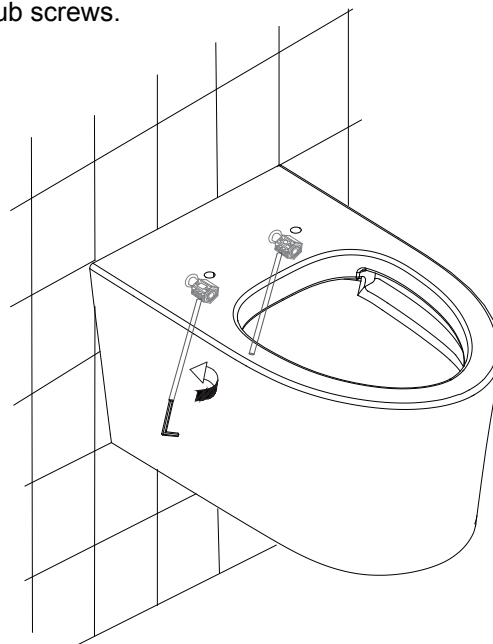
11. Tighten the fixings through fixing holes on toilet.



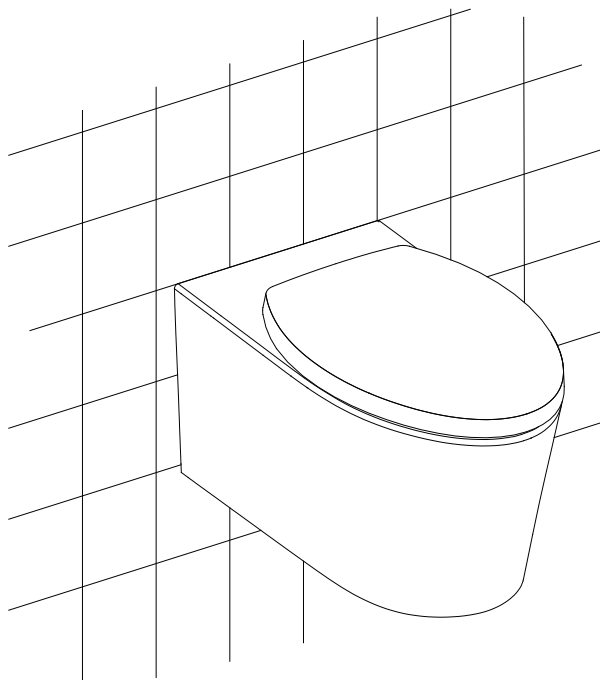
12. Pre-fit two grub screws and plastic guiding pipes.



13. Install the toilet on to fixing bolts. Then tighten the grub screws.



14. Fit the supplied seat. Please refer to the instruction included in the individual box of seat



TROUBLESHOOTING GUILD

| Problem | Cause | Solution |
|--------------------------|--|--|
| Does not flush | a. Water supply closed b. Supply line blocked. c. Sand or debris lodged in water control d. Flush valve fail. | Please refer to the instruction supplied from the in-wall carrier and resolve the issues. |
| Poor flush | a. The cistern tank is not fully refilled. b. Supply pressure too low. c. Partially clogged trapway and/or drain pipe and/or vent. | a. Flush till the cistern tank is fully refilled. b. Refer to the instruction supplied with in-wall carrier and set the water pressure to required level. c. Remove obstruction. Consult a plumber if necessary. |
| Toilet leaks | a. Poor bowl to drain pipe or flush pipe connection. | a. Review step 2 to 8 of installation procedure, and consult a plumber if necessary. |
| Toilet does not shut off | a. Flush valve fail. b. Sand or debris lodged in water control. | a. Refer to the instruction supplied with in-wall carrier. b. Shut off water supply. Remove cap and clean. |

CLEANING INSTRUCTIONS

A mild detergent, warm water and a soft cloth will remove normal dirt and soap accumulations from surfaces. Soft abrasive cleaners may be used on vitreous china. Never use abrasive cleaners without water. Do not use caustic cleaners or disinfectants as they can alter the surface finish and void the warranty.

Use toilet bowl cleaners on the inside of the bowl only. Remove any splashes of cleaner solution from plastic or plated surfaces immediately.

Do not use in-tank cleaners as they can seriously damage the fittings in the tank. This damage could cause leakage and result in property damage. **Crosswater London** shall not be responsible or liable for any damage that occurs as a result of the use

Do not allow certain materials such as toothpaste, cologne, shaving cream, nail polish remover, vinegar, wine, drain and glass cleaners to remain on the surface. Prolonged contact can alter surface finishes and void the warranty.

CARE OF TOILET SEATS

Use a soft, damp cloth and a mild soap such as dishwashing liquid to clean the seat. Rinse the seat and dry with a soft towel.

Do not use abrasive cleaners as they will scratch and dull the surface. Do not allow cosmetics or abrasive chemicals to come in contact with the toilet seat.