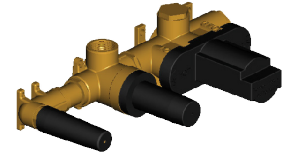


PENTA PE455

Stainless Steel Thermostatic Set with 2-way Volume Control

REQUIRED ROUGH
(not supplied)



| | |
|-------------|--------------------------------------|
| PE455-SSM | Stainless Steel Matte |
| PE455-SSP | Stainless Steel Polished |
| PE455-SSMB | Stainless Steel Matte Black PVD |
| PE455-SSMG | Stainless Steel Matte Gold PVD |
| PE455-SSMRG | Stainless Steel Matte Rose Gold PVD* |
| PE455-SSMT | Stainless Steel Matte Titanium PVD* |

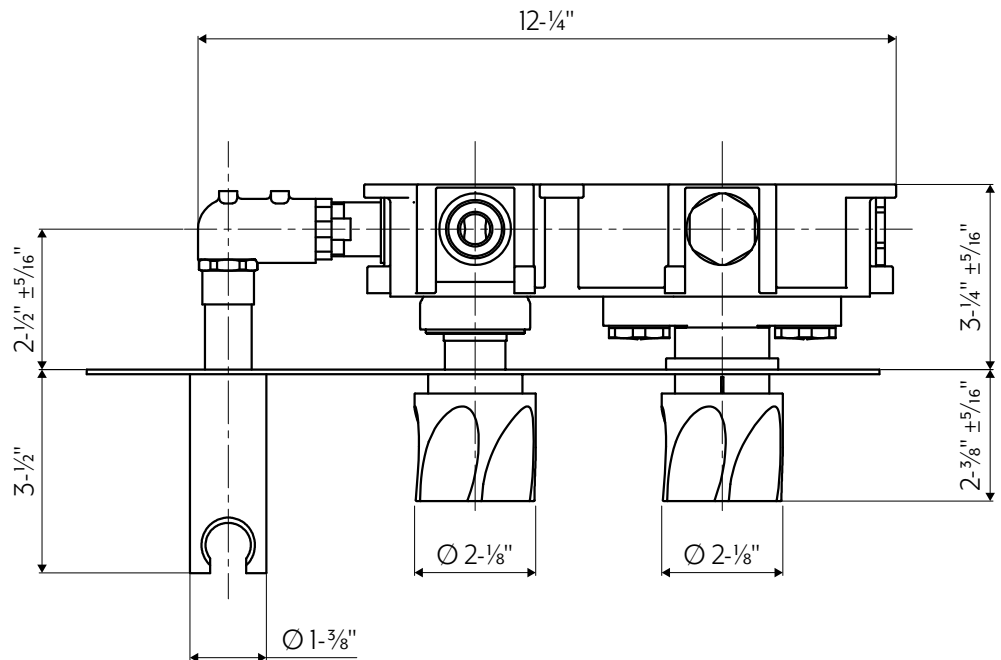
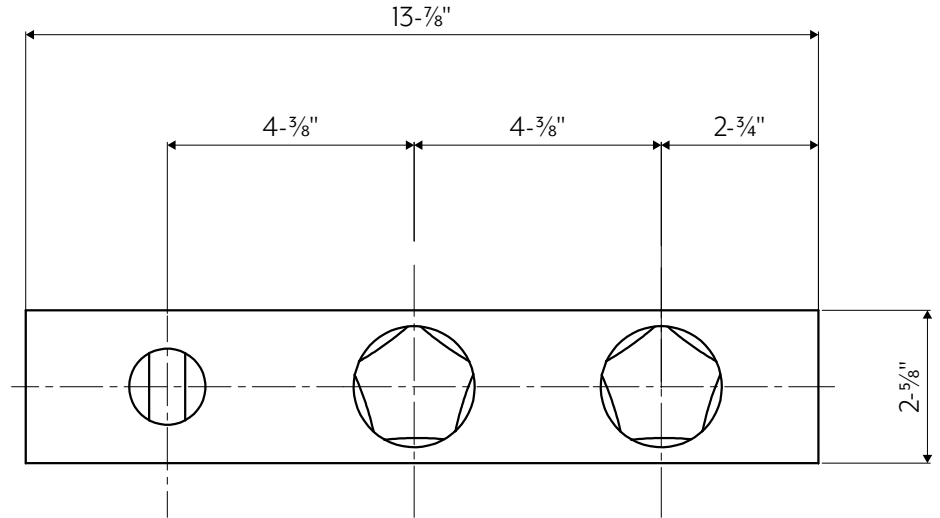
- Thermostatic control and two way volume control: allows to control the handshower and one additional water outlet
- 3/4" NPT inlets and outlets
- Marine Grade 316L machined stainless steel construction
- Water outlet with handshower support are supplied
- Handshower to be ordered separately
- Flow rate is 8.7 GPM at 20 PSI
- IAPMO (cUPC) listed
- ADA compliant
- Fully recyclable
- 100% lead free
- Areas of application: Indoor & outdoor

COMPATIBLE WITH (not supplied)

- SV9KPM.318 1-3/8" Valves extension kit
- AC920 Short Pen Stainless Steel Handshower with Hose
- AC922 Double Pen Stainless Steel Handshower with Hose
- AC924 Round Stainless Steel Handshower with Hose

REQUIRED (not supplied)

- SV9INC-311-US Rough-in unit produced from Brass; universal for all finishes



* Available by special order only.
Please allow 14-16 weeks lead-time.
393 Fortune Blvd, Milford, MA 01757 USA
1.844.992.8371
fortebrands.com



Exclusively distributed in North America by Forte Brands.