

Before connecting the faucet to the water supply, flush the tubing thoroughly to eliminate any residue  
Antes de conectar la grifería a la distribución de agua, purgue muy bien la cañería a fin de eliminar partículas extrañas.

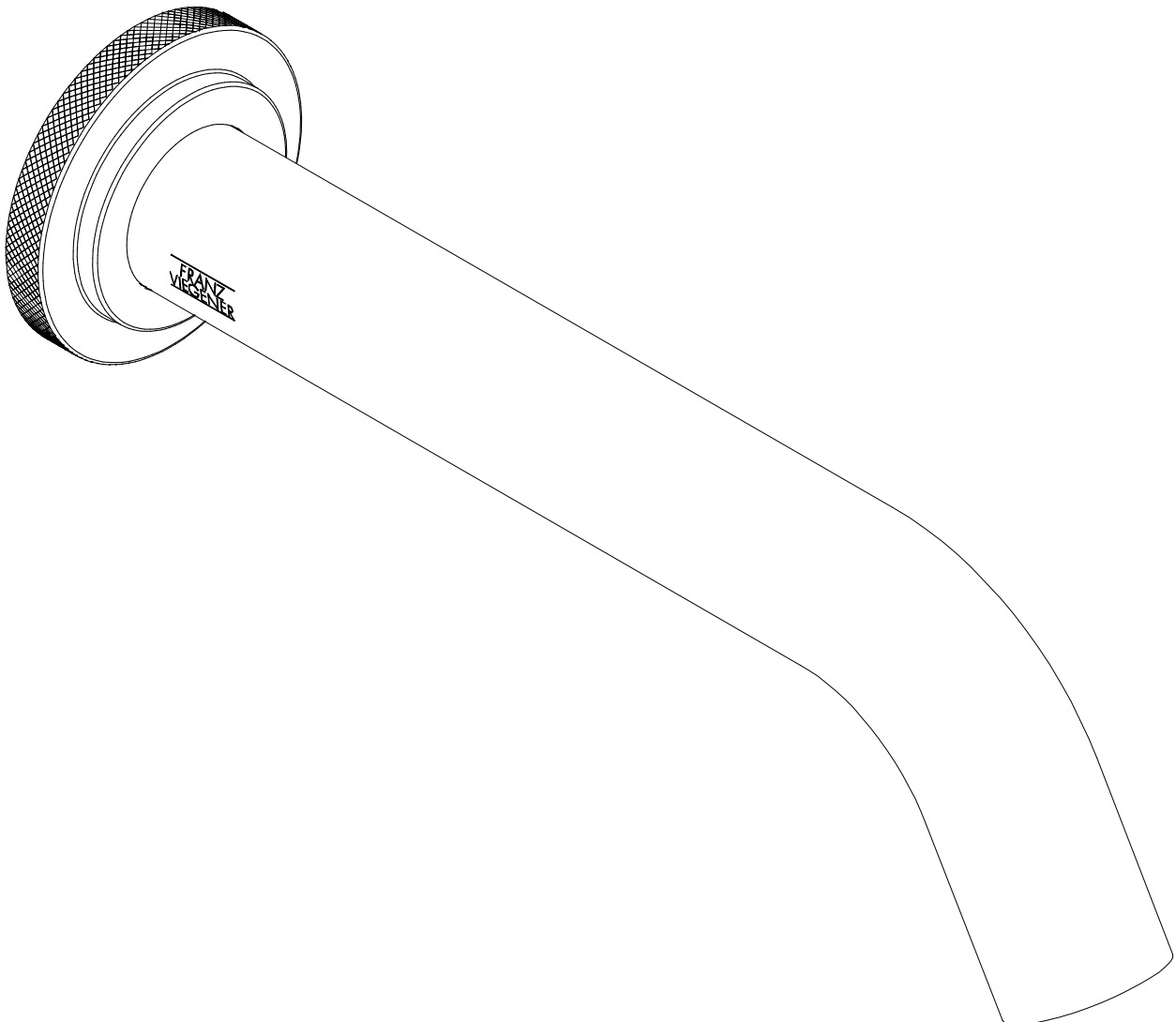
Tub wall spout 1/2" Fem NPT connection/ Pico salida.

**FV103/K6K.17.0**

**FV103/K6V.17.0**

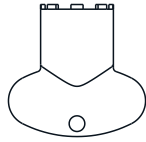
**FV103/K7K.17.0**

**FV103/K7H.17.0**



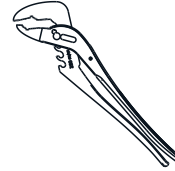
**Required installation tools / Herramientas necesarias para la instalación**

Provided / Provistas

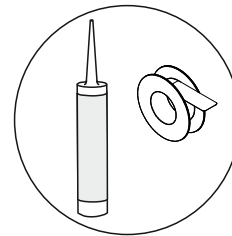


**Aerator Tool**  
Llave Aireador

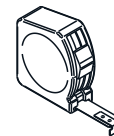
Not Provided / No Provistas



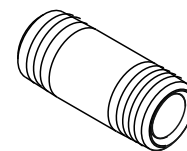
**Adjustable wrench**  
Llave ajustable



**Sealing product/**  
Producto para sellar

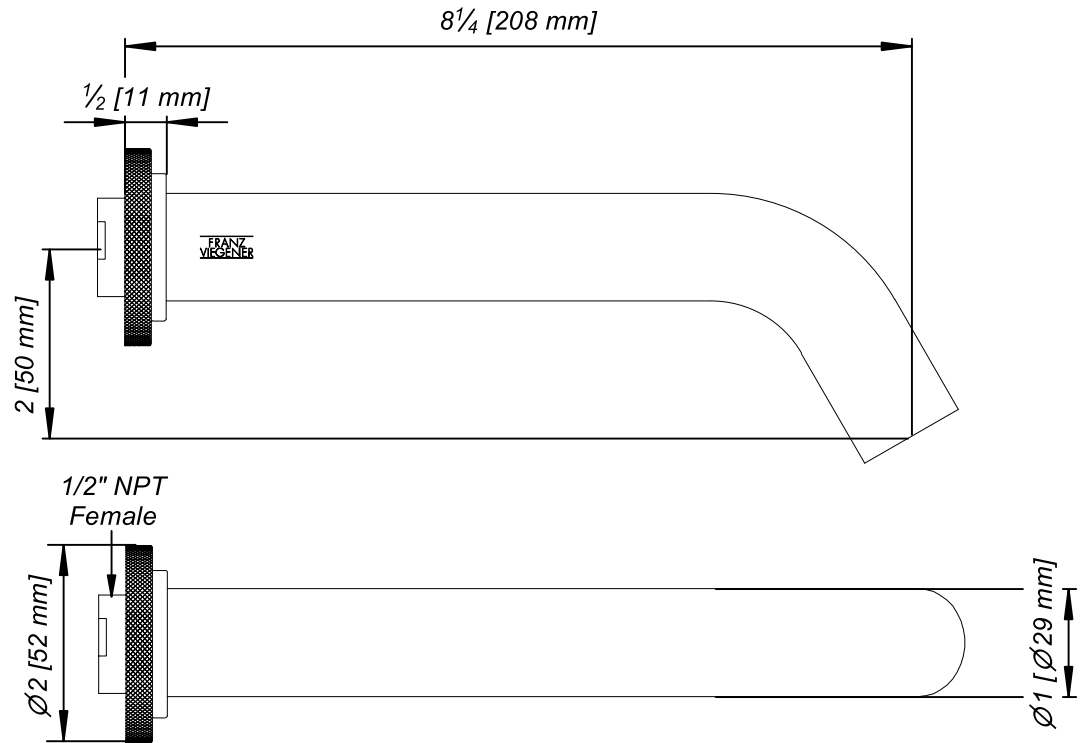


**Measure Tape**  
Cinta métrica

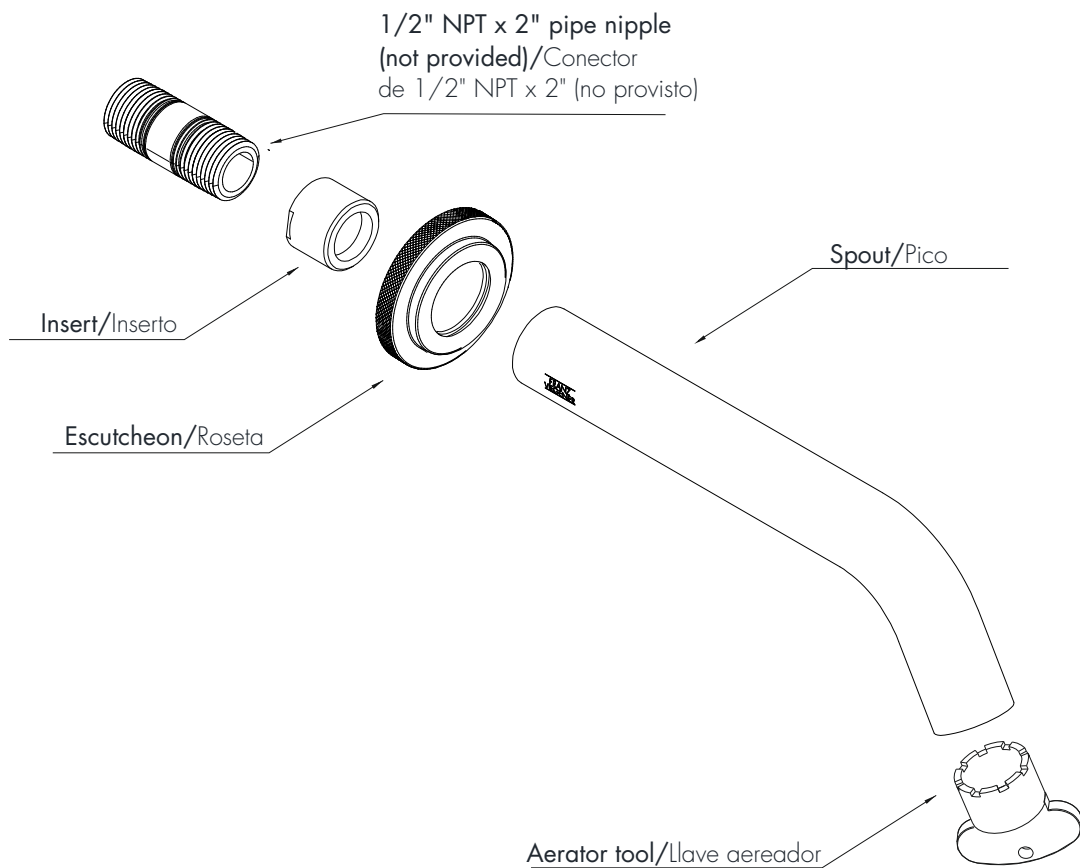


**1/2" NPT x 2" pipe nipple/**  
Conector de 1/2" NPT x 2"

**EX: FV103/K6K.17.0**

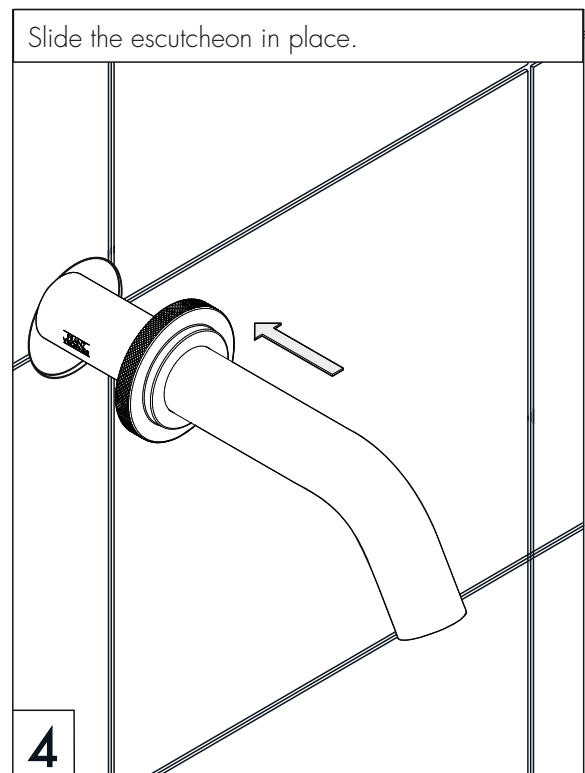
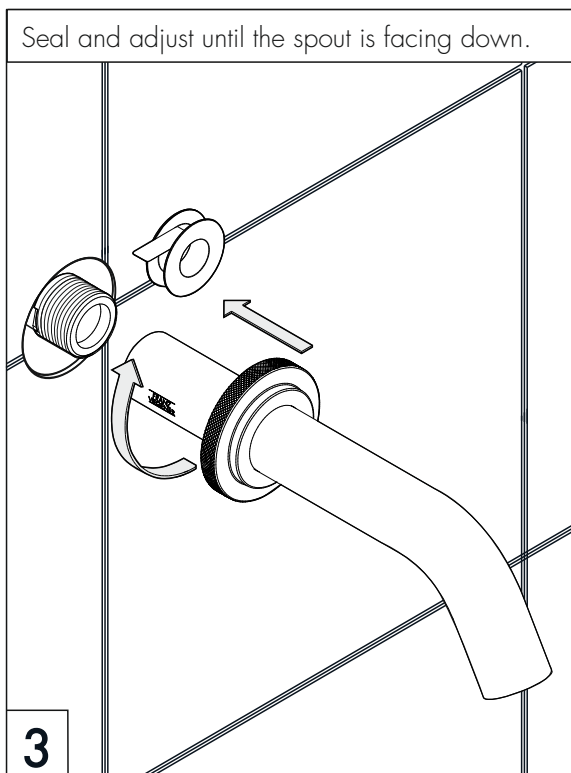
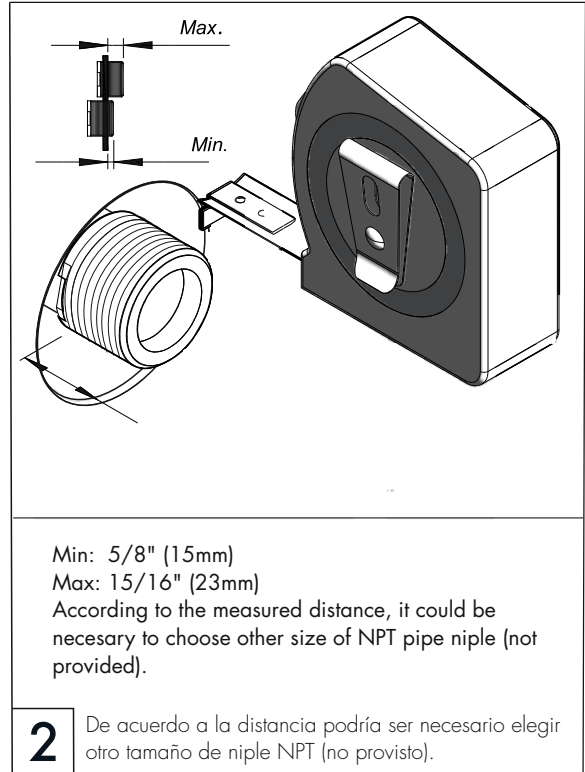
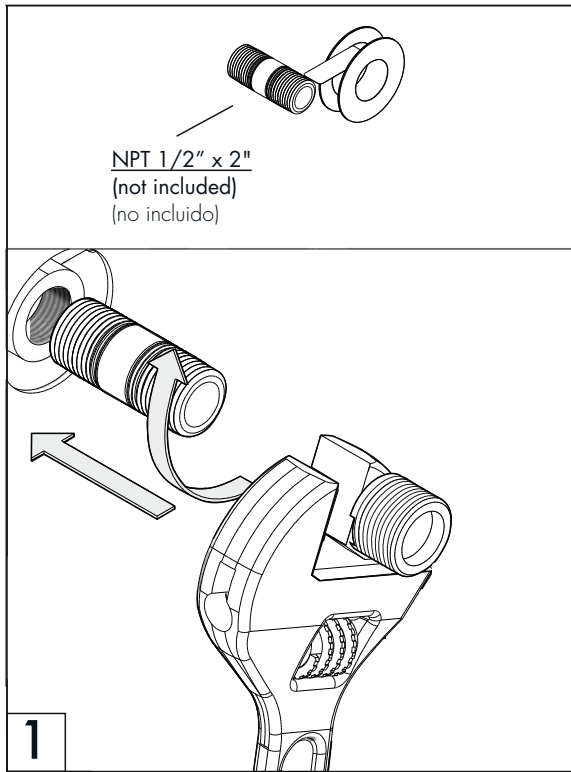


Exploded view/Vista Explotada



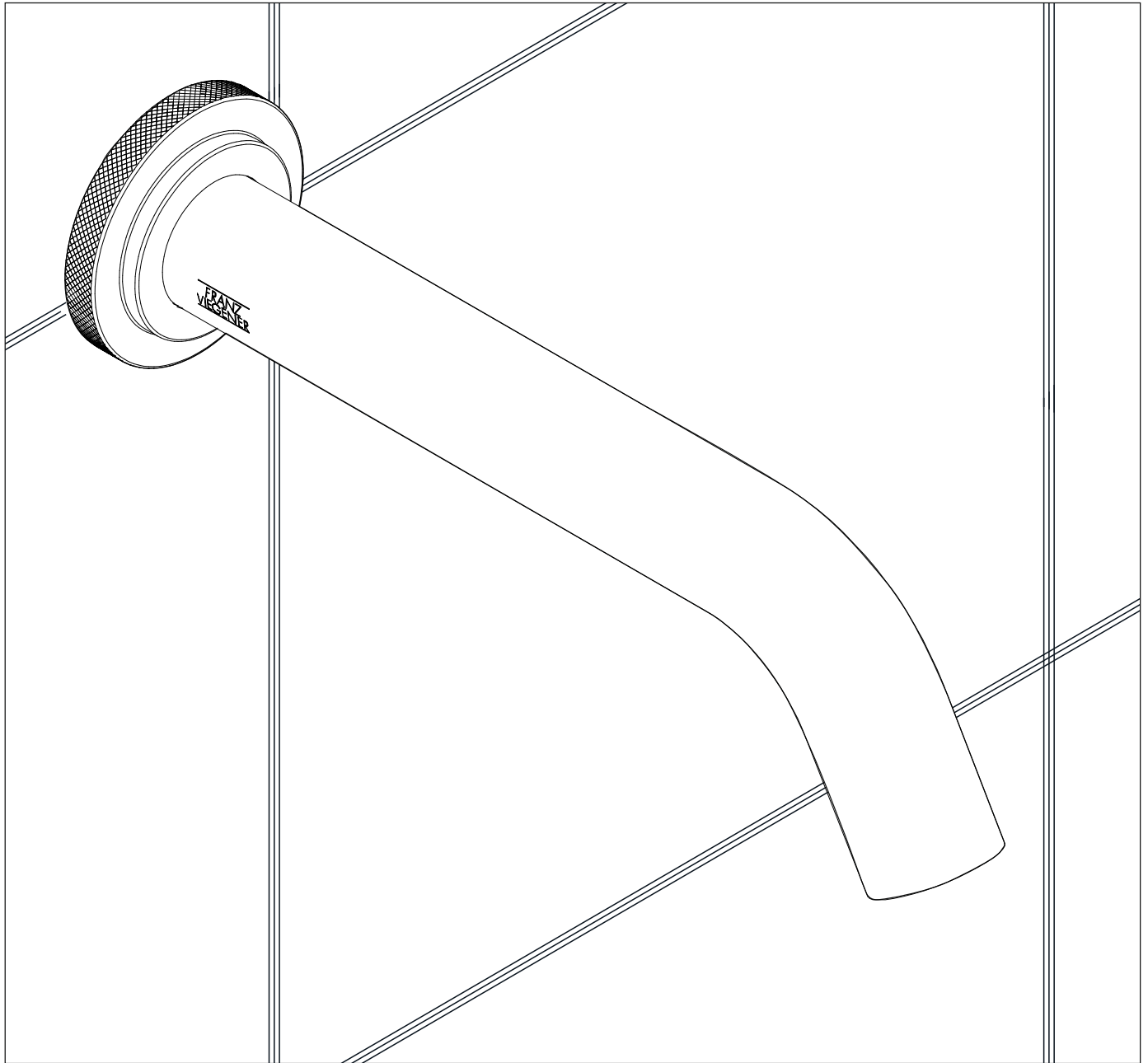
# Installation / Instalación

## Spout installation / Instalación del pico



# Installation/Instalación

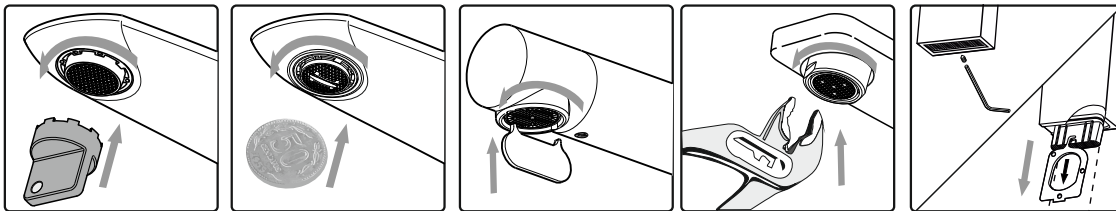
Finished installation/Instalación finalizada







## Aerator cleaning

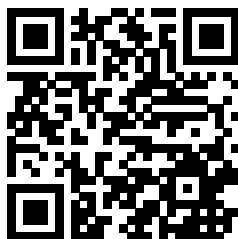


Place the corresponding tool according to the type of aerator you have and remove it. Wash it under a stream of water. If there is any sediment, place it in a glass of vinegar during the night. Put it back the next day.



**Attention! Do not** use sharp objects to unblock the aerator

**WARRANTY:** For more information please visit <https://franzviegener.com/warranty/>



FRANZ VIEGENER Customer Service Department

Phone 847-244-3837 - [info@franzviegener.com](mailto:info@franzviegener.com).

4000 Porett Drive - Gurnee, IL, 60031-USA.

Follow us on social media!



Scan the code  
to get more  
information  
about this line.

[www.franzviegener.com](http://www.franzviegener.com)

FRANZ VIEGENER reserve the right to make revisions without notice in the design of faucets and bathroom accessories or in packaging.  
FO-FV103/K6 / June, 2023.