



PRODUCT DESCRIPTION

The 2X4FT LED linear troffers are DLC Listed, delivers high lumens of exceptional 82+ CRI light while achieving 91 lumen per watt. It is available in 4000k, 5000k DLC CCT options and has 0-10V dimming available, which is perfect for new construction applications or retrofitting existing fluorescent troffer light fixtures with recessed installation, widely used in office spaces, major retail stores, education, government, healthcare and hospitality.

PRODUCT SPECIFICATIONS

• LED Chip

Use approved LM-80 SMD packing, Active color management maintains superior color consistency over time and temperature. Each fixture is tuned as a complete system to the optimal color point before shipment, ensuring fixture-to-fixture color consistency.

• Heat Sink

The source and radiator distribution in fixture around, heat source distribution placed solve heat concentration, quantity of heat conduction of each other and radiation, effective to solve thermal management system design of the cooling. This enables the LEDs to consistently run cooler, providing significant boosts to lifetime, efficacy, and color consistency.

• Optical System

Proprietary optical system utilizes a unique combination of reflective and refractive optical components to achieve a uniform, comfortable appearance. Use guide plate printing high density pixels to shine, and has the light even, shiny surface, no shelter Angle, and no glare, high efficacy.

ELECTRICAL SYSTEM

High efficiency driver and power supply.

Power Factor > 0.90(277V)

Input Power: Stays constant over life

Temperature Rating: Designed to operate in temperatures 50°C and below room side and plenum side.

Diver output: DC36V 1.2A

Diver Input: AC100-277 V 50/60Hz

ORDER INFORMATION

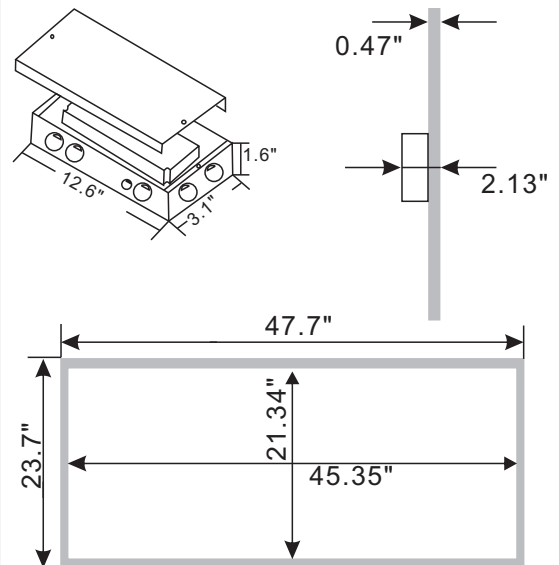
EXAMPLE: VS24-DM40

Product category	Size	Dimming	Fixture wattage	DLC CCT
VS	24=2'X4'	D=0-10v Dimming	M=50W H=63W	40=4000k 50=5000k

2'X4' FLAT LED PANEL

50W 4600LM

63W 5500LM



Recommend Dimmer:

Leviton cat,Nos:

AWRMG-7XX AWSMG-7XX
 AWSMT-7XX IP710-LFZ/DLX

Lutron cat,Nos:

DIVA-DVTV NOVA-NVTV NOVAT-
 NTFTV W/PP20





VS24-DM**

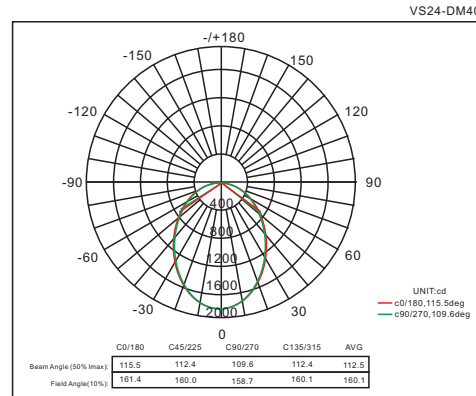
PERFORMANCE SUMMARY

Efficacy:91LPW
Delivered Light Output: 4600Lumens
Input Power: 50Watts
CRI: Ra>82
DLC CCT Options: 4000k,5000k
Input Voltage: 120-277 VAC
Input current:0.5-0.2A
THD:<20%(at 277V)
Standard Warranty: 5 Years
Standard Lifetime: Designed to L70 minimum 50,000 hours
Mounting: Recessed
Dim on 0-10V dimmer switch, 10%-100% smooth linear dimming
Sign Current:0.04-0.21MA
Dimensions: L 47.7" x W 23.7" x H 2.1"
Weight: 10KG / 22lbs
Fixture measurement and weight are rounded up. Please contact us for exact measurements.

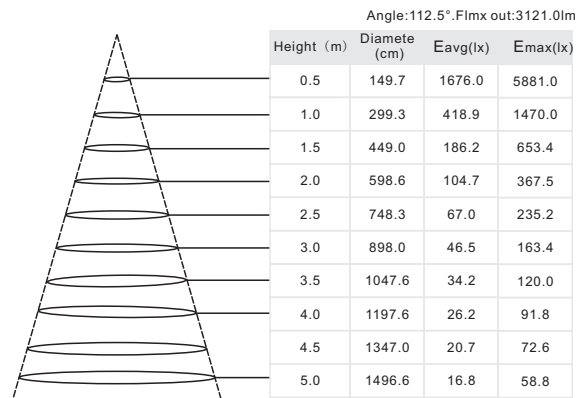
PHOTOMETRY

Fixture photometry has been conducted accredited testing laboratory in accordance with IESNA LM-79-08. IESNA LM-79-08 specifies the entire luminaire as the source resulting in a fixture efficiency of 100%. Result may vary per actual order.

LUMINOUS INTENSITY DISTRIBUTION DIAGRAM



AVERAGE ILLUMINANCE CURVE



REGULATORY & VOLUNTARY QUALIFICATIONS

cULus List	Yes
DLC List	Yes
Lighting Facts Label LM79	Yes
Report	Yes
Suitable for Damp Locations	Yes

ZONAL FLUX DIAGRAM

T	C0	C45	C90	C135	C180	C225	c270	c315
10	1448	1448	1447	1447	1445	1468	1436	1439
20	1382	1379	1371	1376	1376	1360	1350	1361
30	1269	1260	1243	1256	1263	1235	1214	1237
40	1112	1096	1069	1091	1108	1066	1037	1069
50	913.6	891.9	862.2	887.4	910.4	859.5	824.5	862.9
60	682.6	659.8	632.2	657.3	677.9	626.4	591.1	628.9
70	424.4	409.1	388.6	408.0	421.7	378.0	348.0	379.7
80	164.7	160.1	150.3	160.2	163.3	134.7	116.3	136.4
90	2.903	3.619	3.309	3.612	0.6786	0.1069	0.1123	0.1169
DEG	LUMINOUS INTENSITY:cd							

ZONAL LUMEN SUMMARY

T	φzone	φtotal	% lum. lamp
0-10	138.9	138.9	3.33,3.33
10-20	398.5	537.5	12.9,12.9
20-30	605.0	1143	27.4,27.4
30-40	730.6	1873	44.9,44.9
40-50	756.8	2630	63.63
50-60	681.4	3311	79.3,79.3
60-70	514.8	3826	91.6,91.6
70-80	283.7	4110	98.4,98.4
80-90	63.24	4173	99.9,99.9
	UNIT:lm		

COEFFICIENTS OF UTILIZATION

ppc	80%			70%		50%		30%		10%		0		
pw	50%	30%	10%	50%	30%	10%	50%	30%	10%	50%	30%	10%	0	
pfc	20%			20%			20%			20%			0	
RCR	RCR:Room Cavity Ratio						CU							
0	119	119	119	116	116	111	111	111	106	106	106	102	102	0
100	104	100	96	102	98	94	98	94	91	94	91	89	90	84
200	91	84	78	89	83	77	85	80	75	82	78	74	79	70
300	80	71	65	78	70	64	75	69	63	72	67	62	70	59
400	70	62	55	69	61	55	67	59	54	64	58	53	62	50
500	63	54	47	62	53	47	60	52	46	58	51	46	56	43
600	57	48	41	56	47	41	54	46	41	52	45	40	51	38
700	51	43	36	51	42	36	49	41	36	47	41	36	46	33
800	47	38	32	46	38	32	45	37	32	44	37	32	42	30
900	43	35	29	42	34	29	41	34	29	40	33	29	39	27
1000	40	32	26	39	31	26	38	31	26	37	31	26	36	24





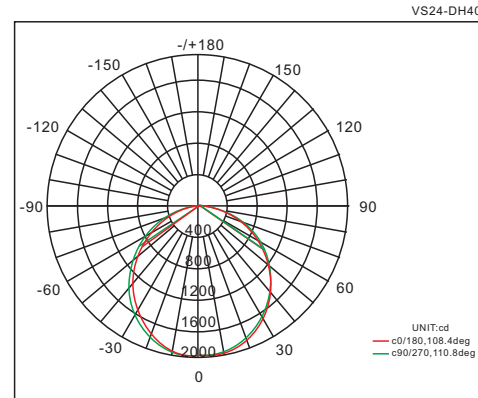
PERFORMANCE SUMMARY

Efficacy:87LPW
Delivered Light Output: 5496Lumens
Input Power: 63Watts
CRI: Ra>82
DLC CCT Options: 4000k,5000k
Input Voltage: 120-277 VAC
Input current:0.5-0.2A
THD:<20%(at 277V)
Standard Warranty: 5 Years
Standard Lifetime: Designed to L70 minimum 50,000 hours
Mounting: Recessed
Dim on 0-10V dimmer switch, 10%-100% smooth linear dimming
Sign Current:0.04-0.1MA
Dimensions: L 47.7" x W 23.7" x H 2.1"
Weight: 10KG / 22lbs
Fixture measurement and weight are rounded up, please contact for exact measurements.

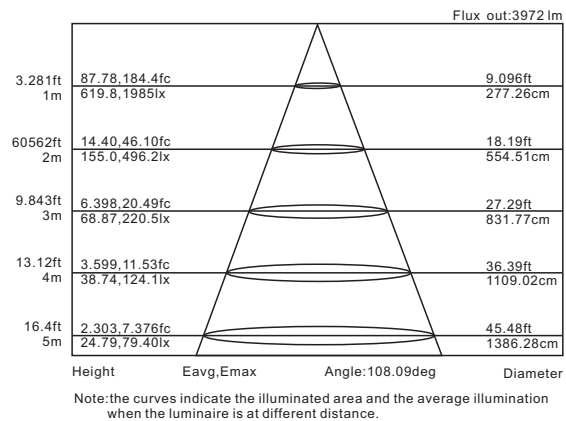
PHOTOMETRY

Fixture photometry has been conducted accredited testing laboratory in accordance with IESNA LM-79-08. IESNA LM-79- 08 specifies the entire luminaire as the source resulting in a fixture efficiency of 100%. Result may vary per actual order.

LUMINOUS INTENSITY DISTRIBUTION DIAGRAM



AVERAGE ILLUMINANCE CURVE



REGULATORY & VOLUNTARY QUALIFICATIONS

cULus List	Yes
DLC List	Yes
Lighting Facts Label LM79	Yes
Report	Yes
Suitable for Damp Locations	Yes

ZONAL FLUX DIAGRAM

T	C0	C45	C90	C135	C180	C225	C270	C315
10	1947	1953	1963	1971	1945	1939	1929	1927
20	1834	1850	1876	1884	1830	1823	1809	1804
30	1648	1675	1717	1722	1646	1640	1626	1621
40	1401	1436	1486	1491	1401	1401	1389	1385
50	1113	1152	1203	1207	1120	1121	1114	1108
60	806.9	840.1	885.8	885.0	815.4	815.4	810.8	806.1
70	484.2	508.0	545.4	542.6	490.0	491.7	493.3	483.0
80	172.4	183.3	203.4	203.7	177.6	178.7	177.1	170.8
90	0.0075	0.0388	0.537	0.1402	0.2309	0	0	0

DEG LUMINOUS INTENSITY:cd

ZONAL LUMEN SUMMARY

T	φ zone	φ total	% lum, lamp
0-10	187.6	187.6	3.41, 3.41
10-20	537.2	724.8	13.2, 13.2
20-30	812.1	1537	28.28
30-40	972.4	2509	45.7, 45.7
40-50	997.0	3506	63.8, 63.8
50-60	888.0	4394	80.80
60-70	663.5	5058	92.92
70-80	360.4	5418	98.6, 98.6
80-90	75.40	5494	100, 100

UNIT:lm

COEFFICIENTS OF UTILIZATION

ppc	80%	10%	50%	70%	10%	50%	30%	10%	50%	30%	10%	50%	10%	0
pw	50%	30%	10%	50%	30%	10%	50%	30%	10%	50%	30%	10%	50%	0
pfc	20%			20%			20%			20%			20%	0
RCR	RCR:Room Cavity Ratio													
	CU													
0	119	119	119	116	116	111	111	111	106	106	106	102	102	0
100	104	100	96	102	98	95	98	95	92	94	91	89	90	84
200	91	84	79	89	83	78	86	80	76	82	78	74	79	70
300	80	72	65	78	71	65	75	69	64	73	67	63	70	59
400	71	62	55	70	61	55	67	60	54	65	59	54	63	51
500	63	54	48	62	54	48	60	53	47	58	52	46	56	44
600	57	48	42	56	48	42	54	47	41	53	46	41	51	38
700	52	43	37	51	43	37	49	42	36	48	41	36	47	34
800	47	39	33	46	38	32	45	38	33	44	37	32	43	30
900	43	35	30	43	35	29	42	34	29	40	34	29	39	27
1000	40	32	27	39	32	27	38	31	27	38	31	27	37	25

