



PRODUCT DESCRIPTION

The 2X2FT LED troffers are DLC Listed, delivers high Lumen of exceptional 80+ CRI light while achieving 91 lumens per watt. It is available in 4000k,5000k DLC CCT options and has 0-10V dimming, which is perfect for new construction applications or retrofitting existing fluorescent troffer fixtures with recessed installation, widely used in office spaces, major retail stores, education, government, healthcare, and hospitality.

PRODUCT SPECIFICATIONS

• LED Chip

Use approved LM-80 SMD packing, Active color management maintains superior color consistency over time and temperature. Every fixture is tuned as a complete system to the optimal color point before shipment, ensuring fixture-to-fixture color consistency.

• Heat Sink

The source and radiator distribution in fixture around, heat source distribution placed solve heat concentration, quantity of heat conduction of each other and radiation, effective to solve thermal management system design of the cooling. This enables the LEDs to consistently run cooler, providing significant boosts to lifetime, efficacy, and color consistency.

• Optical System

Proprietary optical system utilizes a unique combination of reflective and refractive optical components to achieve a uniform, comfortable appearance. Use guide plate printing high density pixels to shine, and has the light even, shiny surface, no shelter Angle, and no glare, high efficacy.

ELECTRICAL SYSTEM

high efficiency driver and power supply.

Power Factor: >0.9(277V)

Diver output: DC40V 1A

Input Power: Stays constant over life

Diver Input: AC100-277 V 50/60Hz

Temperature Rating: Designed to operate in temperatures 45°C and below room side and plenum side.

ORDER INFORMATION

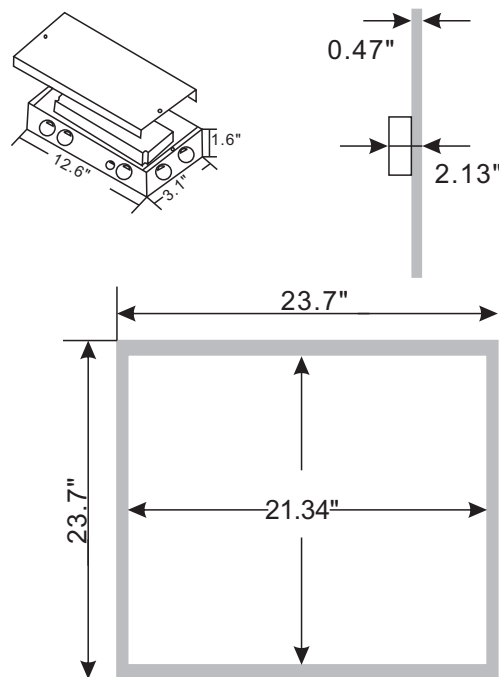
EXAMPLE: VS22-DM40

Product category	Size	Dimming	Fixture wattage	CCT
VS	22=2'X2'	D=0-10v Dimming	M=40W H=55W	40=4000k 50=5000k

2'X2' FLAT LED PANEL

40W 3600LM

55W 4900LM



Recommend Dimmer:

Leviton cat, Nos:
 AWRMG-7XX AWSMG-7XX
 AWSMT-7XX IP710-LFZ/DLX

Lutron cat, Nos:
 DIVA-DVTV NOVA-NVTV NOVAT-
 NTFTV W/PP20





PERFORMANCE SUMMARY

Efficacy: 91LPW

Delivered Light Output: 3600Lumens

Input Power: 40Watts

CRI: Ra>80

DLC CCT: 4000K/5000K

Input Voltage: 120-277 VAC

Input current: 0.4 -0.16A

THD:<20%(at 277V)

Standard Warranty: 5 Years

Standard Lifetime: Designed to L70 minimum 50,000 hours Mounting:

Recessed

0-10v dimming, 10%-100% smooth linear dimming

Sign Current:0.04-0.2MA

Dimensions: L 23.7" x W 23.7" x H 2.1"

Weight: 4.4KG/9.7lbs

Fixture measurement and weight are round up, please contact us for

exact measurements,

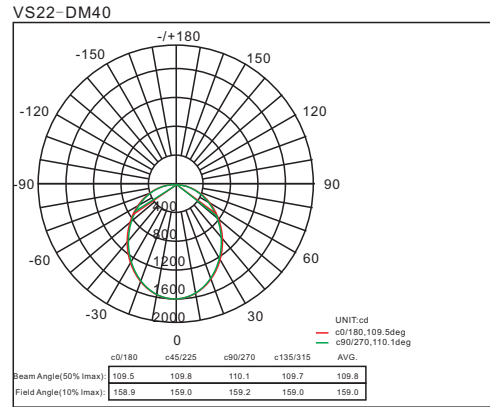
REGULATORY & VOLUNTARY QUALIFICATIONS

cULus List	E360437
DLC List	Yes
Lighting Facts Label	Yes
LM79 Report	Yes
Suitable for Damp Locations	Yes

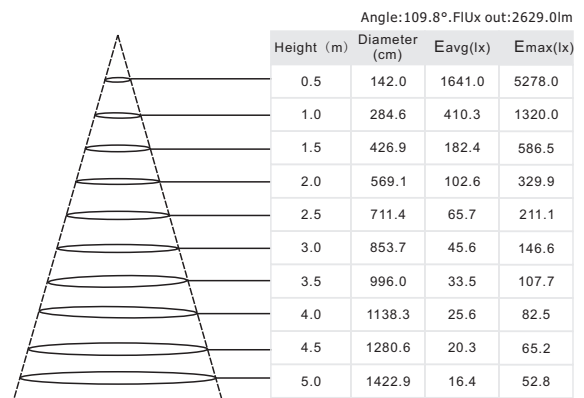
PHOTOMETRY

Fixture photometry has been conducted accredited testing laboratory in accordance with IESNA LM-79-08. IESNA LM-79-08 specifies the entire luminaire as the source resulting in a fixture efficiency of 100%.Result may vary per actual order.

LUMINOUS INTENSITY DISTRIBUTION DIAGRAM



AVERAGE ILLUMINANCE CURVE



ZONAL FLUX DIAGRAM

T	C0	C45	C90	C135	C180	C225	c270	c315
10	1296	1300	1300	1295	1291	1287	1288	1290
20	1226	1233	1232	1224	1217	1211	1211	1217
30	1109	1119	1119	1109	1096	1088	1088	1096
40	951.2	964.4	964.9	952.0	935.7	926.8	928.3	937.4
50	763.4	778.7	781.3	766.1	747.2	738.3	741.0	749.2
60	555.4	570.3	575.8	560.0	541.4	532.5	536.0	542.1
70	336.2	350.2	357.3	343.1	326.8	318.1	321.5	325.0
80	123.6	133.0	136.1	129.6	119.1	112.1	110.9	115.1
90	2.855	3.548	3.802	3.175	0.0922	0.0854	0.0869	0.0866

DEG LUMINOUS INTENSITY:cd

ZONAL LUMEN SUMMARY

T	φ zone	φ total	lum, lamp
0-10	124.6	124.6	3.42,3.42
10-20	356.5	481.2	13.2,13.2
20-30	538.1	1019	28,28
30-40	643.1	1662	45.7,45.7
40-50	659.1	2321	63.8,63.8
50-60	587.3	2909	79.9,79.9
60-70	439.3	3348	92,92
70-80	239.1	3587	98.5,98.5
80-90	50.39	3638	99.9,99.9

UNIT:lm

COEFFICIENTS OF UTILIZATION

ppc	80%			70%			50%			30%			10%			0
	50%	30%	10%	50%	30%	10%	50%	30%	10%	50%	30%	10%	50%	30%	10%	0
pw	20%			20%			20%			20%			20%			0
	50%	30%	10%	50%	30%	10%	50%	30%	10%	50%	30%	10%	50%	30%	10%	0
pfc	20%			20%			20%			20%			20%			0
	50%	30%	10%	50%	30%	10%	50%	30%	10%	50%	30%	10%	50%	30%	10%	0
RCR	RCR:Room Cavity Ratio (CU)															
0.0	119	119	119	116	116	116	111	111	111	106	106	106	102	102	102	0
1.0	104	100	96	102	98	95	98	95	92	94	91	89	90	88	86	84
2.0	91	84	79	89	83	78	86	80	76	82	78	74	79	76	72	70
3.0	80	72	65	78	71	65	75	69	64	73	67	63	70	65	61	59
4.0	71	62	55	70	61	55	67	60	54	65	59	54	62	57	53	51
5.0	63	54	48	62	54	48	60	53	47	58	52	46	56	51	46	44
6.0	57	48	42	56	48	42	54	47	41	53	46	41	51	45	40	38
7.0	52	43	37	51	43	37	49	42	36	48	41	36	47	40	36	34
8.0	47	39	33	47	38	33	45	38	33	44	37	32	43	37	32	30
9.0	43	35	30	43	35	30	42	34	29	40	34	29	39	33	29	27
10.0	40	32	27	39	32	27	38	31	27	38	31	27	37	31	26	25





VS22-DH

PERFORMANCE SUMMARY

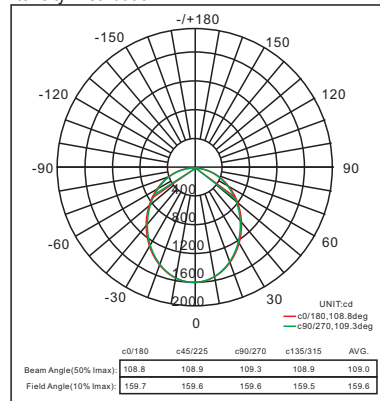
Efficacy: 90LPW
Delivered Light Output: 4900Lm
Input Power: 55Watts
CRI:Ra >83 R9>22
CCT:4000K/5000K
Input Voltage: 120-277 VAC
Input current: 0.46 -0.20A
THD:<20%(at 277V)
Standard Warranty: 5 Years
L70> 50000H
Standard Lifetime: Designed to L70 minimum 50,000 hours Mounting:
Recessed
0-10v dimming, 10%-100% smooth linear dimming
Sign Current:0.1-0.3MA
Dimensions: L 23.7" x W 23.7" x H 2.1"
Weight: 4.4KG/9.7lbs
Fixture measurement and weight are rounded up, please contact us for exact measurements

PHOTOMETRY

Fixture photometry has been conducted accredited testing laboratory in accordance with IESNA LM-79-08. IESNA LM- 79-08 specifies the entire luminaire as the source resulting in a fixture efficiency of 100%.Result may vary per actual order.

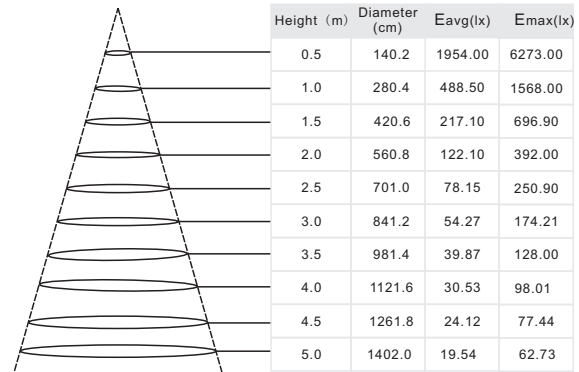
LUMINOUS INTENSITY DISTRIBUTION DIAGRAM

Luminous Intensity Distribution



AVERAGE ILLUMINANCE CURVE

Angle:109.0°.Flux out:3130.0lm



REGULATORY & VOLUNTARY QUALIFICATIONS

cULus List	Yes
DLC List	Yes
Lighting Facts Label	Yes
LM79 Report	Yes
Suitable for Damp Locations	Yes

ZONAL FLUX DIAGRAM

T	C0	C45	C90	C135	C180	C225	c270	c315
10	1541	1547	1547	1542	1538	1534	1534	1538
20	1462	1472	1474	1464	1454	1447	1447	1453
30	1322	1337	1342	1329	1315	1303	1303	1310
40	1127	1147	1156	1140	1126	1108	1107	1113
50	894.1	915.9	928.1	912.9	892.9	874.1	871.4	876.1
60	638.7	661.1	676.3	662.1	642.7	622.8	617.3	620.2
70	381.9	404.1	419.9	409.3	388.5	369.1	361.7	362.8
80	149.0	166.9	178.2	173.1	158.9	139.6	129.2	131.5
90	0.0075	0.0979	0.8301	0.6001	0	0	0	0

ZONAL LUMEN SUMMARY

T	φ zone	φ total	%lum, lamp
0-10	148.3	148.3	3.43,3.43
10-20	425.2	573.5	13.3,13.3
20-30	643.2	1217	28.2,28.2
30-40	768.7	1985	46,46
40-50	782.3	2768	64.1,64.1
50-60	688.5	3456	80,80
60-70	508.8	3965	91.8,91.8
70-80	281.1	4246	98.3,98.3
80-90	68.67	4315	99.9,99.9

COEFFICIENTS OF UTILIZATION

ppc	80%				70%				50%				30%				0
pw	50%	30%	10%	50%	30%	10%	50%	30%	10%	50%	30%	10%	50%	30%	10%	0	
pc	20%				20%				20%				20%				0
RCR	RCR:Room Cavity Ratio								CU								0
0	119	119	119	116	116	116	111	111	111	106	106	106	102	102	102	0	
1	104	100	96	102	98	95	98	95	92	94	91	89	90	88	86	84	
2	91	84	78	89	83	78	86	80	76	82	78	74	79	76	72	70	
3	80	72	65	78	71	65	75	69	64	73	67	63	70	65	62	59	
4	71	62	56	70	61	55	67	60	54	65	59	54	63	57	53	51	
5	63	55	48	62	54	48	60	53	47	58	52	47	56	51	46	44	
6	57	48	42	56	48	42	54	47	41	53	46	41	51	45	41	38	
7	52	43	37	51	43	37	49	42	37	48	41	36	47	41	36	34	
8	47	39	33	47	39	33	45	38	33	44	37	32	43	37	32	30	
9	43	35	30	43	35	30	42	35	29	41	34	29	40	34	29	27	
10	40	32	27	40	32	27	39	32	27	38	31	27	37	31	27	25	

