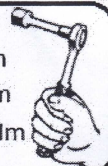
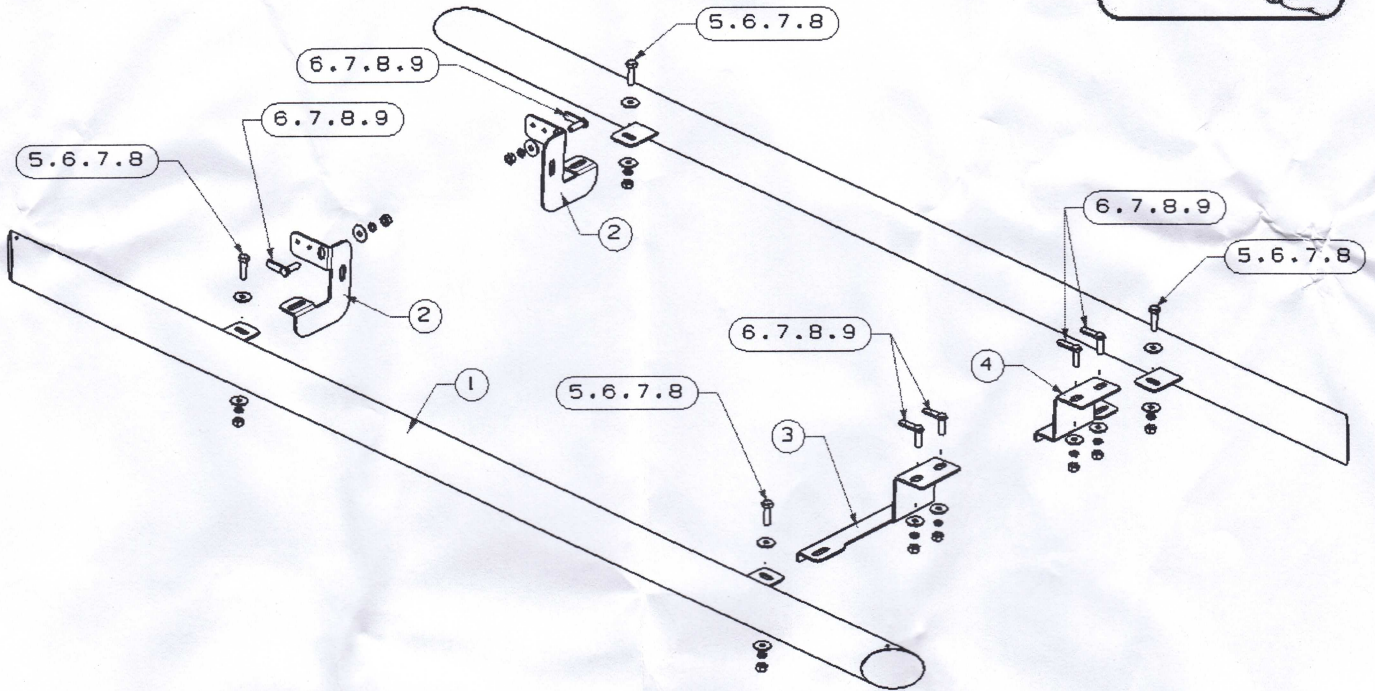


INSTALLATION INSTRUCTIONS

MODEL: FORD TRANSIT 2005
 CODE: P010045

M6 = 10 Nm
 M8 = 25 Nm
 M10 = 50 Nm

ITEM/NO	PART NUMBER/PARCA PAI	QTY/MIKT
1	3" SIDE BAR	2
2	BRACKET 1	2
3	BRACKET 2	1
4	BRACKET 3	1
5	HEX BOLT M10x35	4
6	WASHER M10	14
7	LOCK WASHER M10	10
8	HEX NUT M10	10
9	T-BOLT(12*50) M10x35	6

