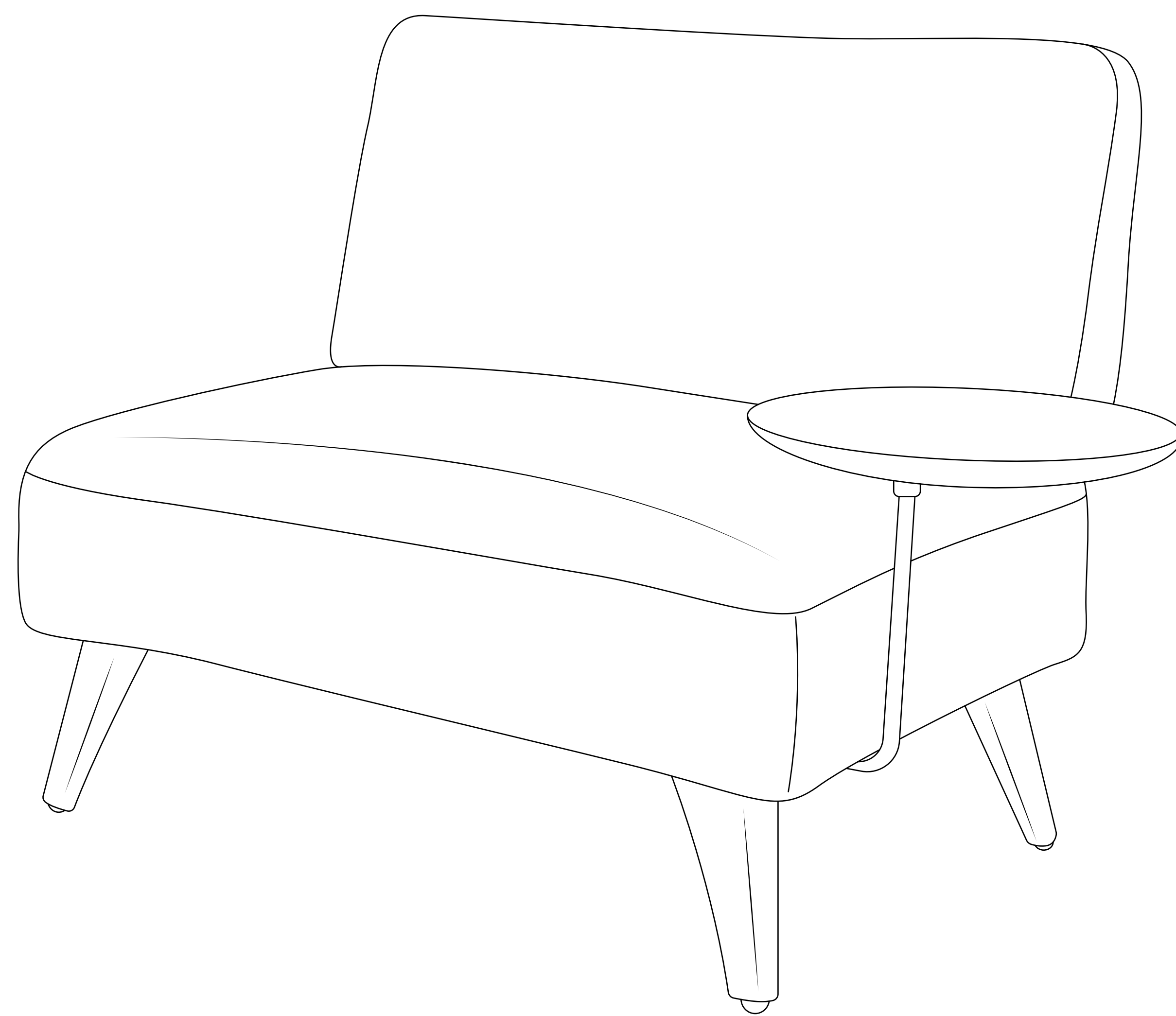
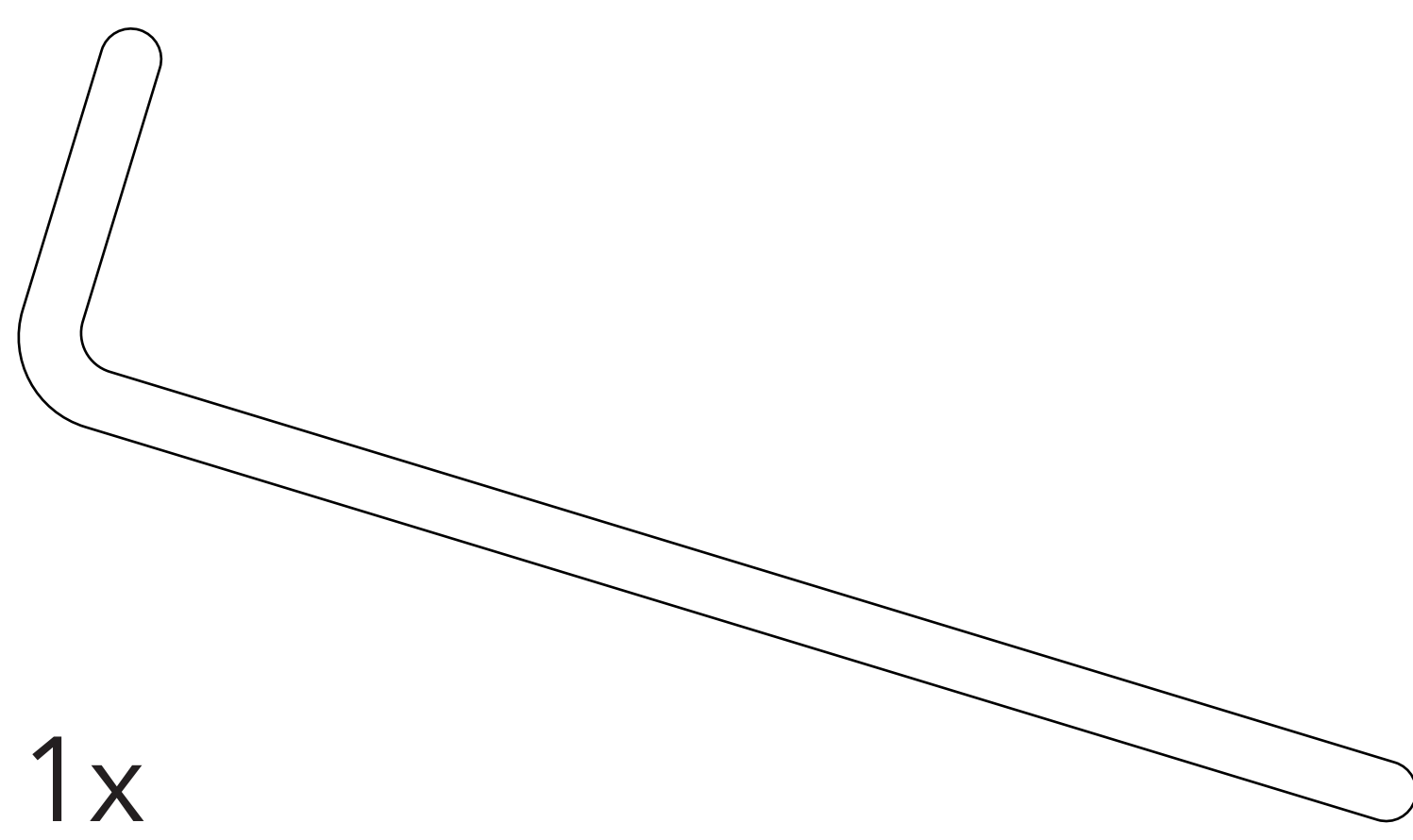
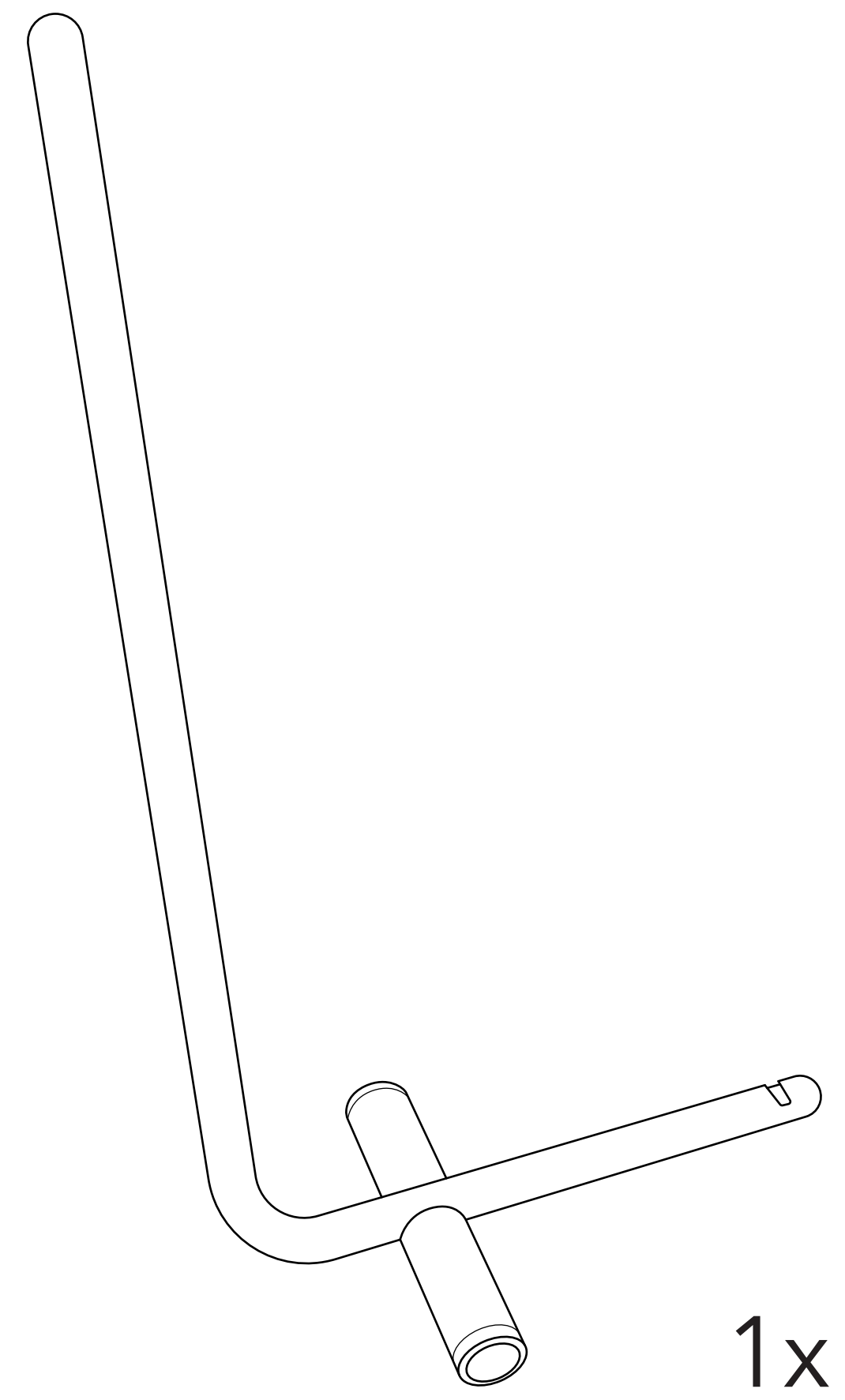
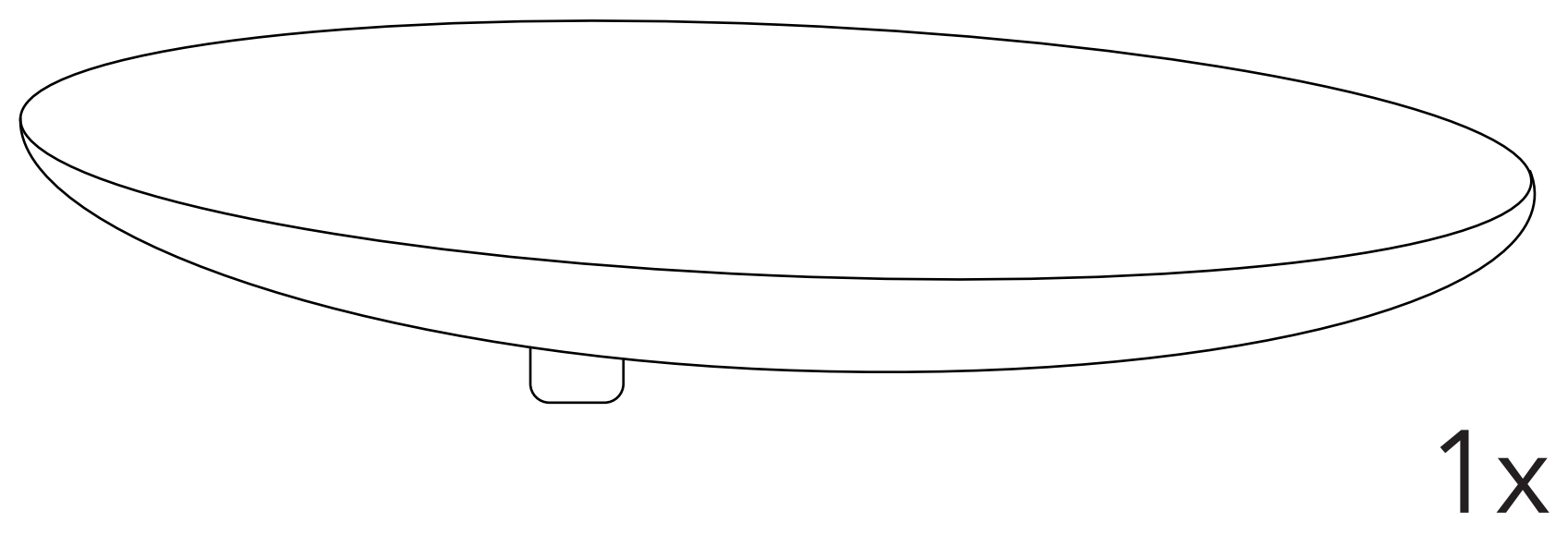


Let's set up your sofa table



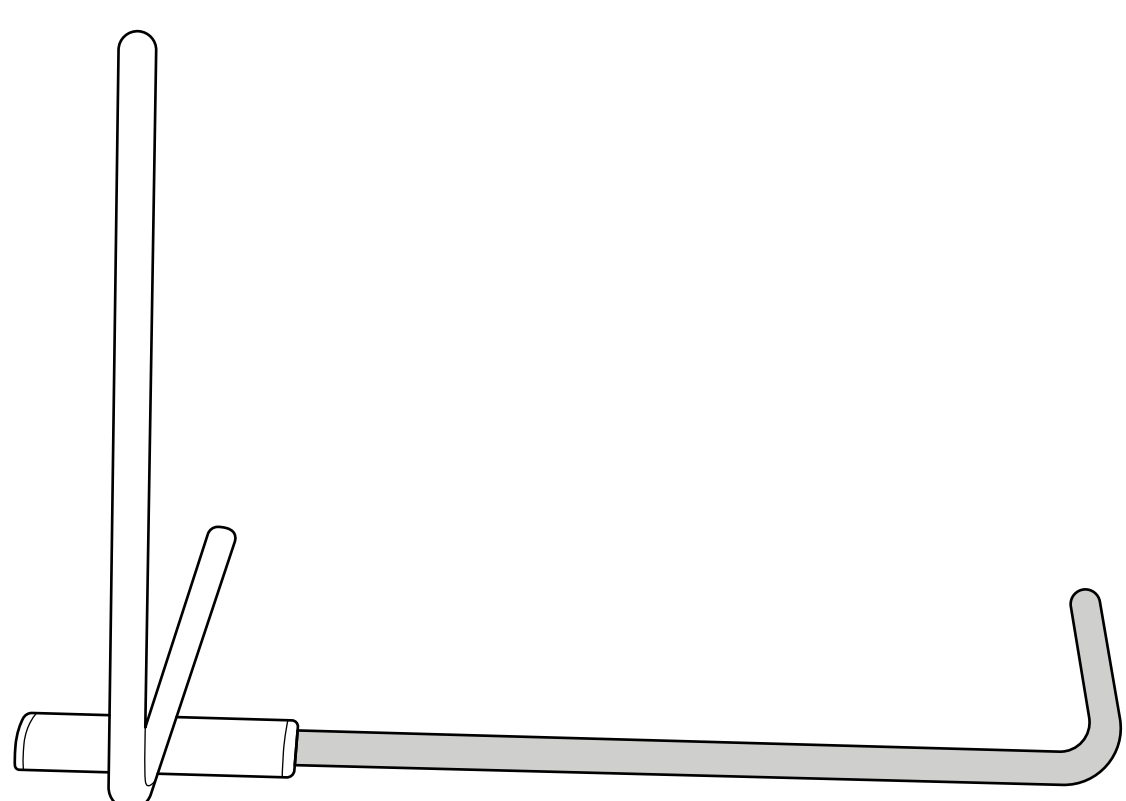
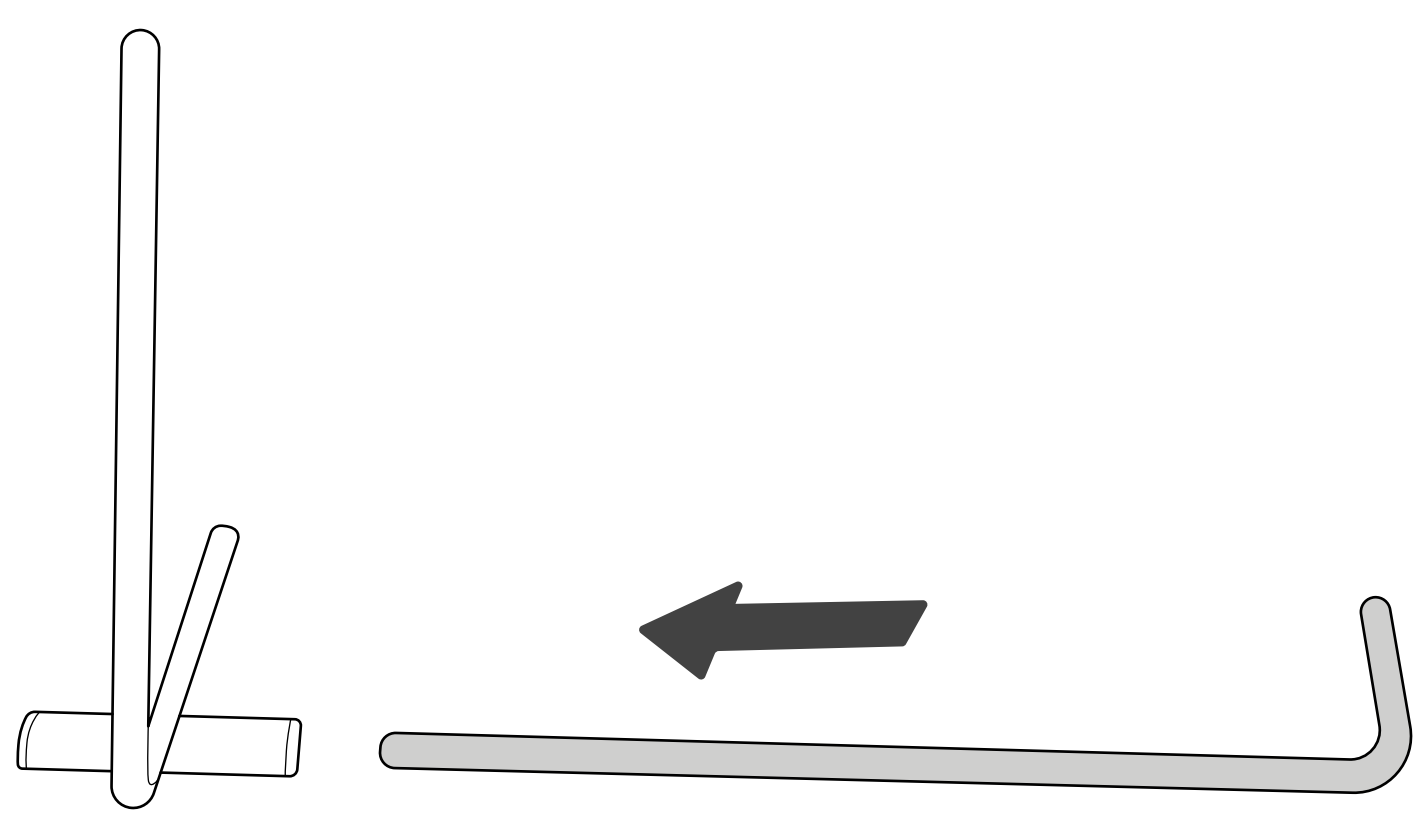
1 Unbox table top and brackets



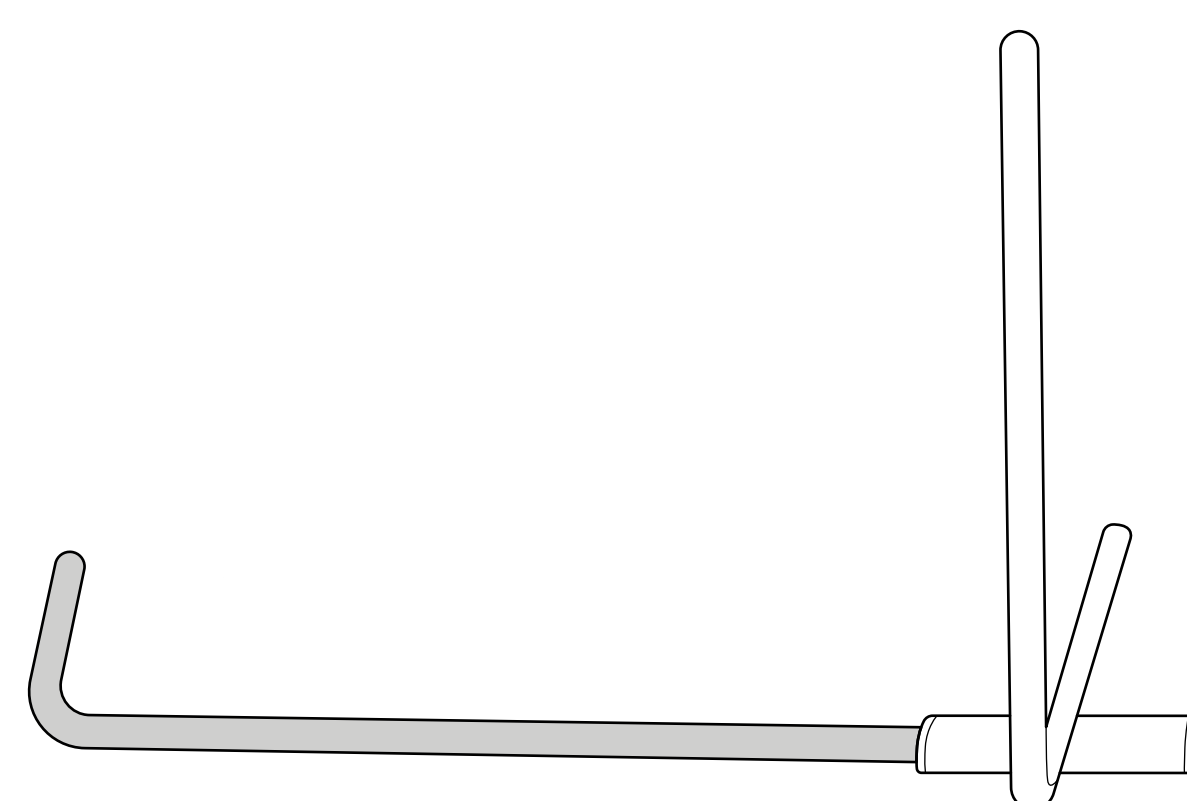
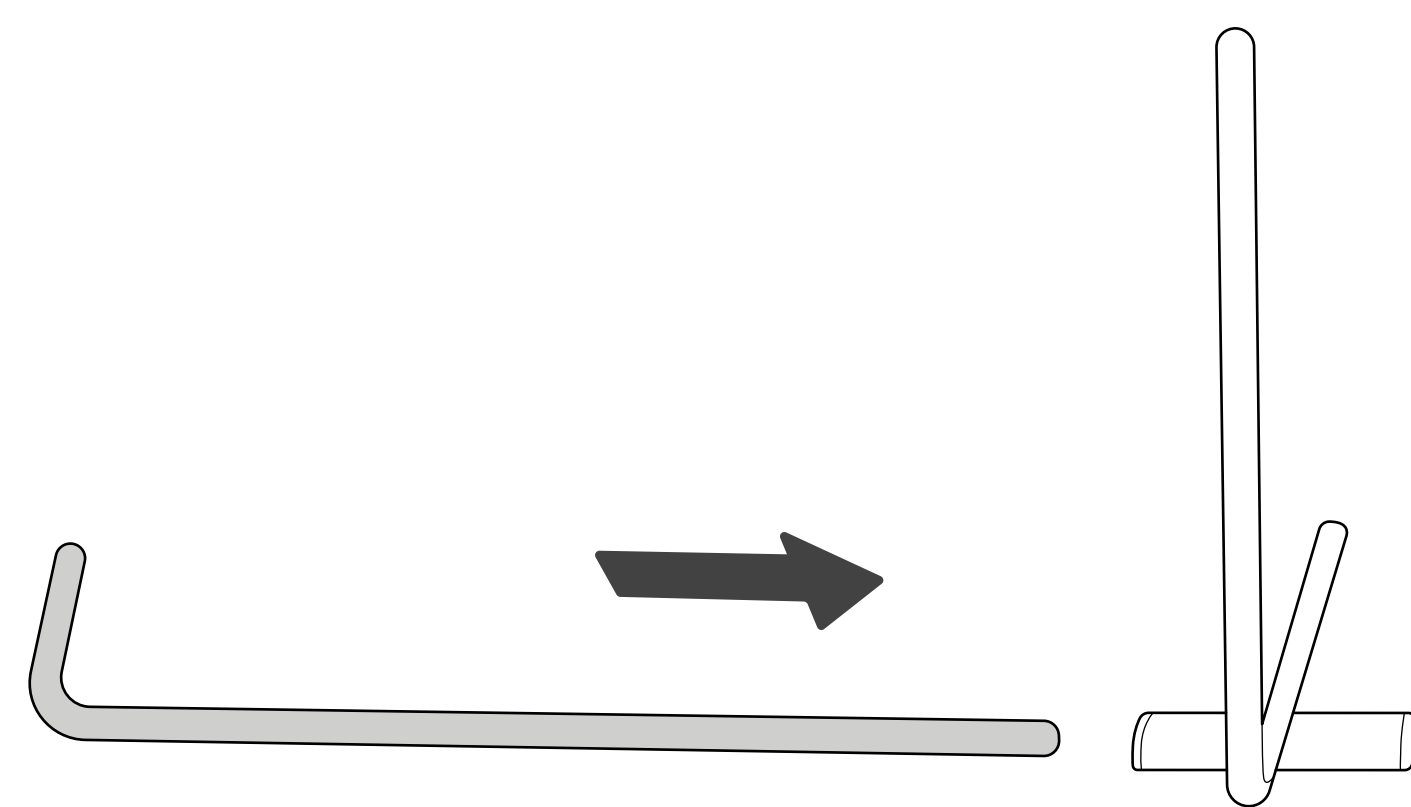
2 Connect brackets together

The table can be attached in a left or right position on any front/rear/side of a seat. There are 8 table positions on every seat.

Left position

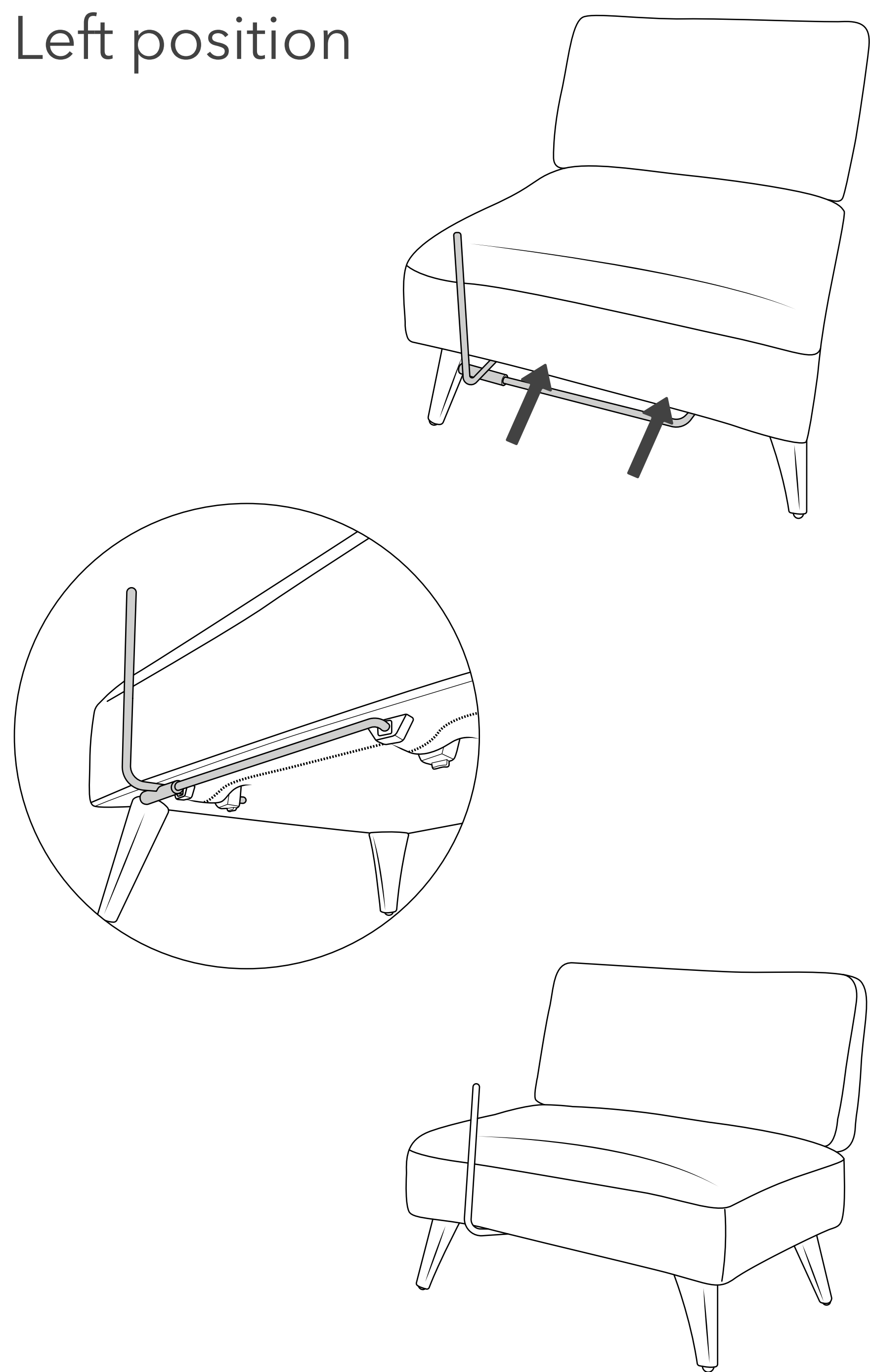


Right position

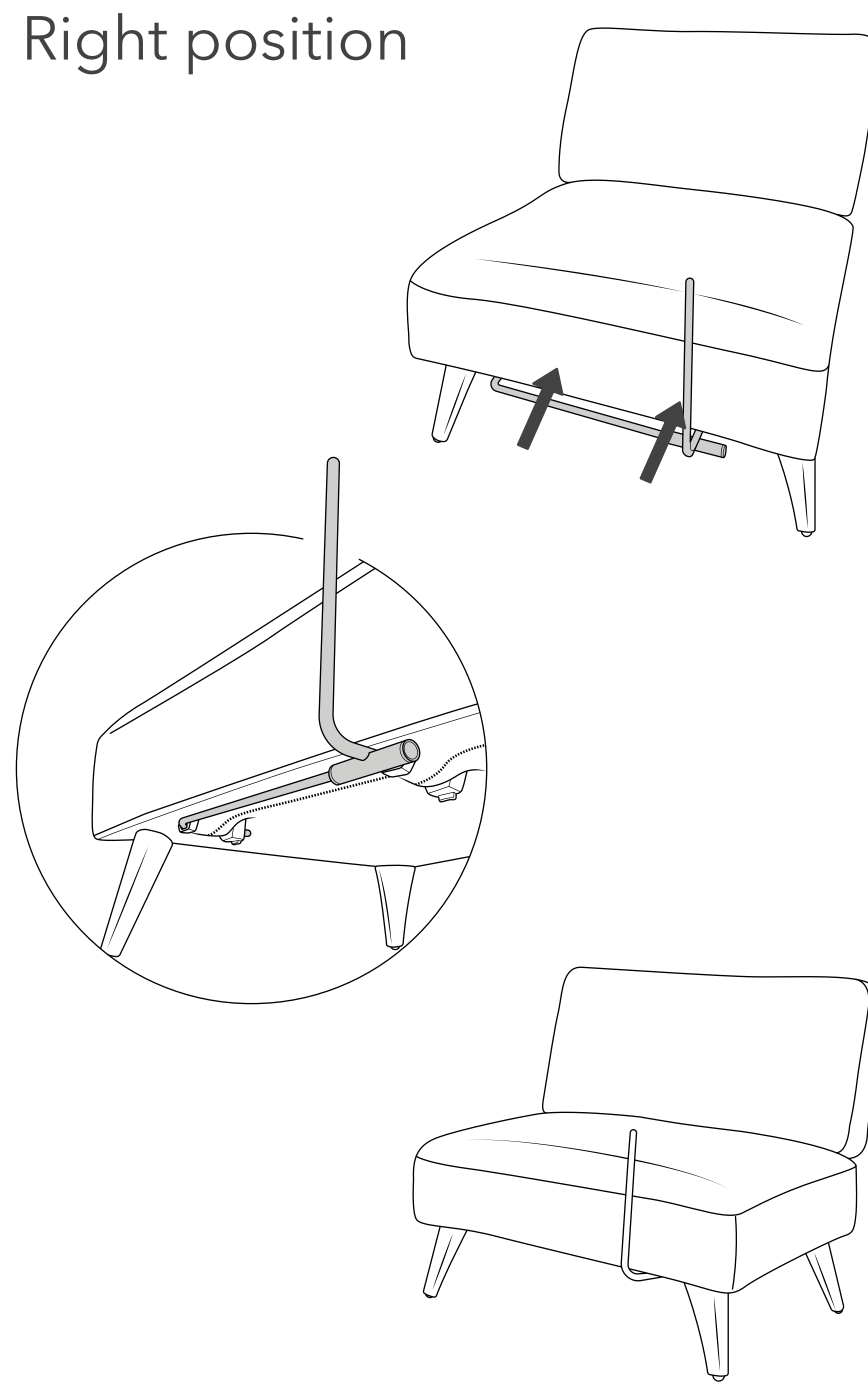


3 Attach connected brackets to the seat

Left position

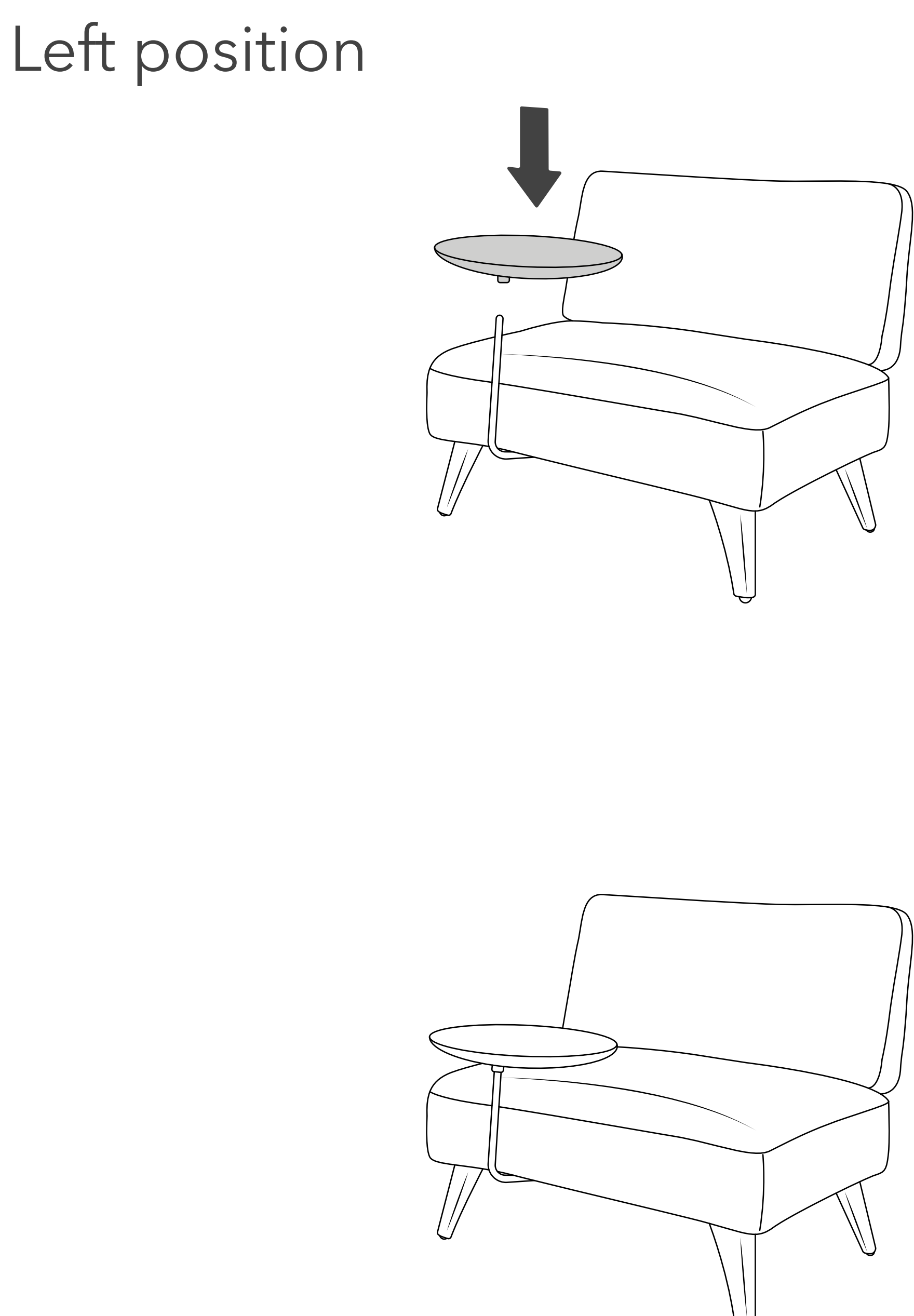


Right position

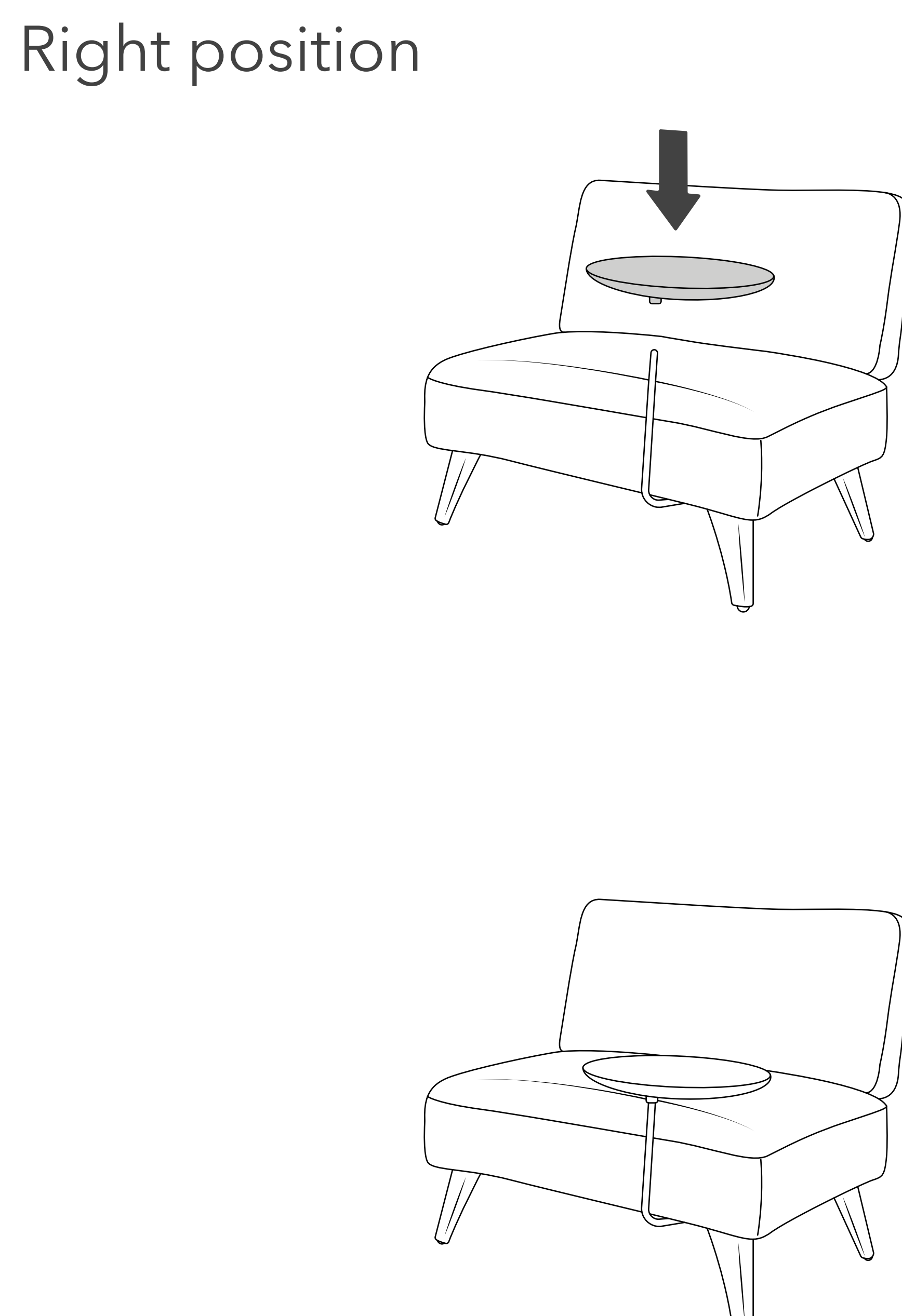


4 Attach table to bracket
Push the table onto the bracket

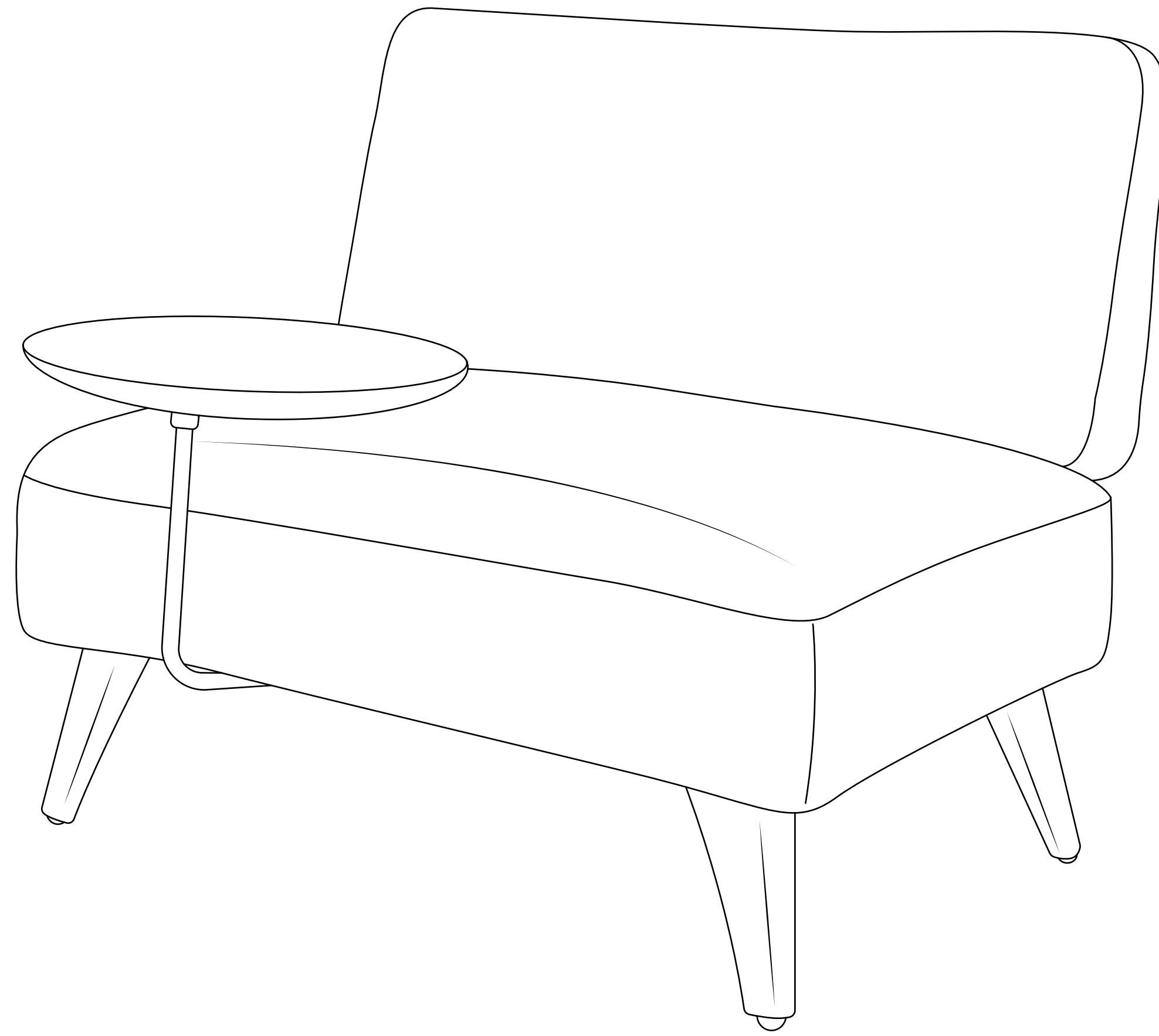
Left position



Right position



5 Enjoy



We're here to help

For help and support contact us live on chat or email us at support@wattleliving.com