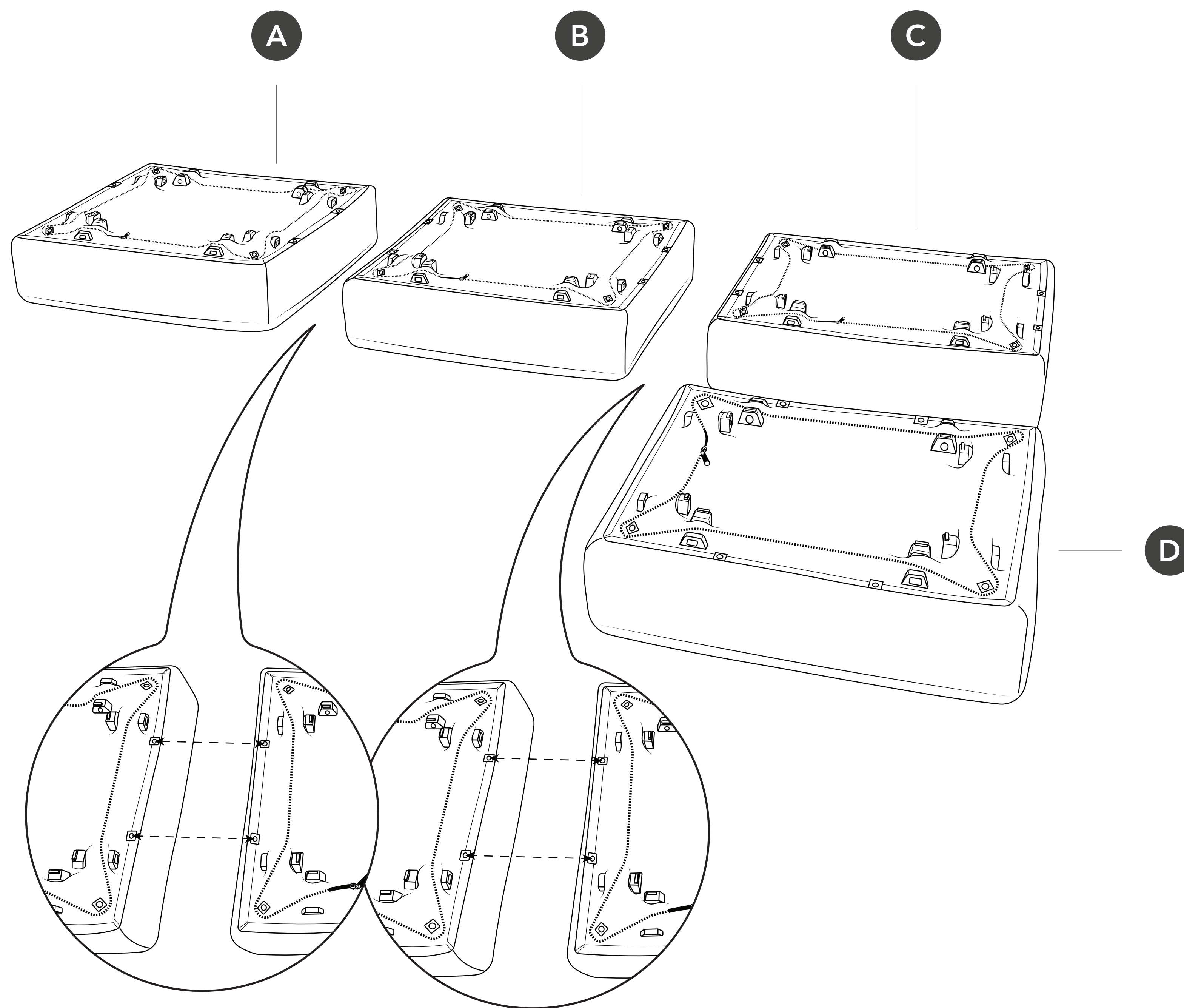


Let's set up your 3 seat sofa + ottoman

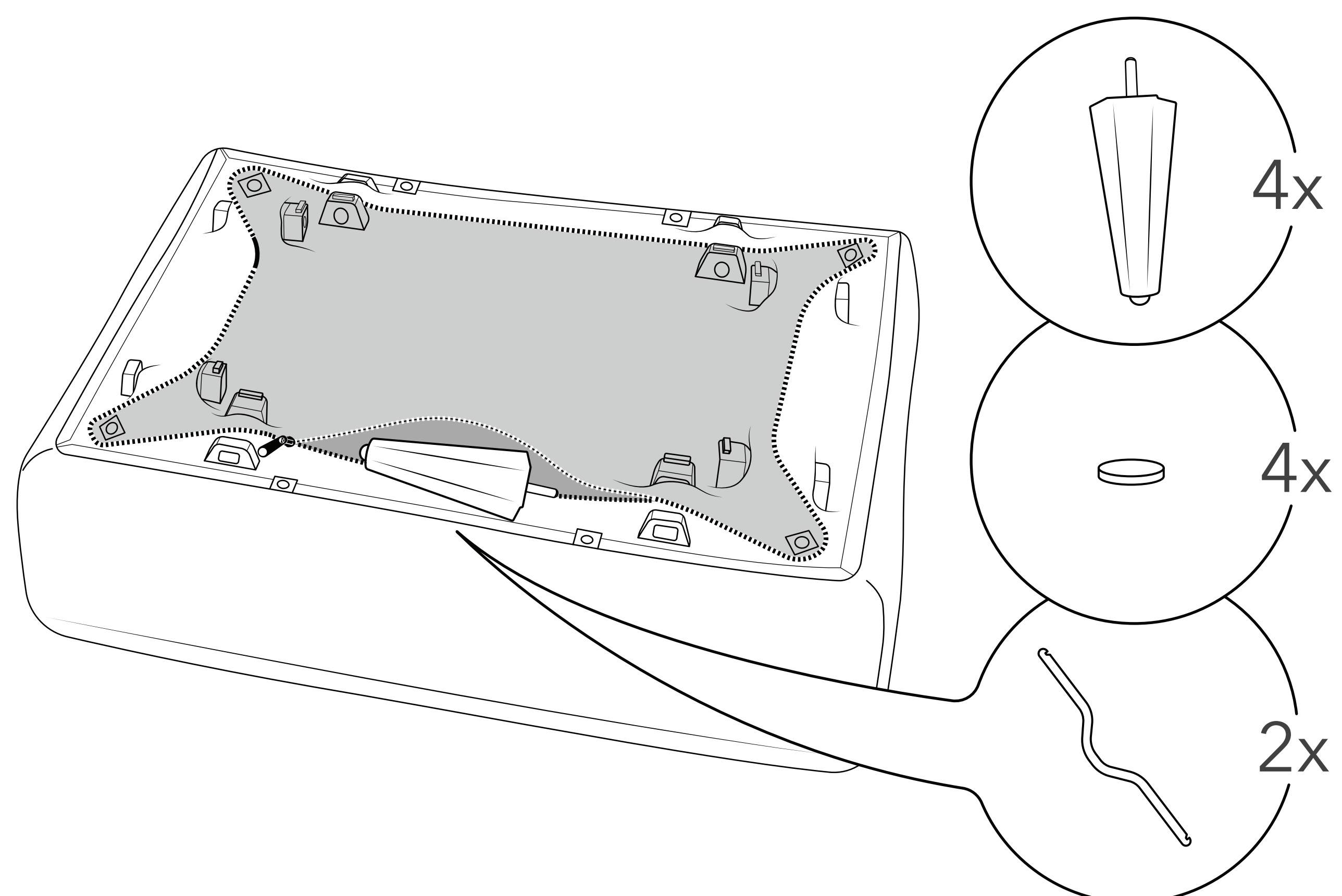


1 Unbox seats and align the holes



2 Remove legs and brackets

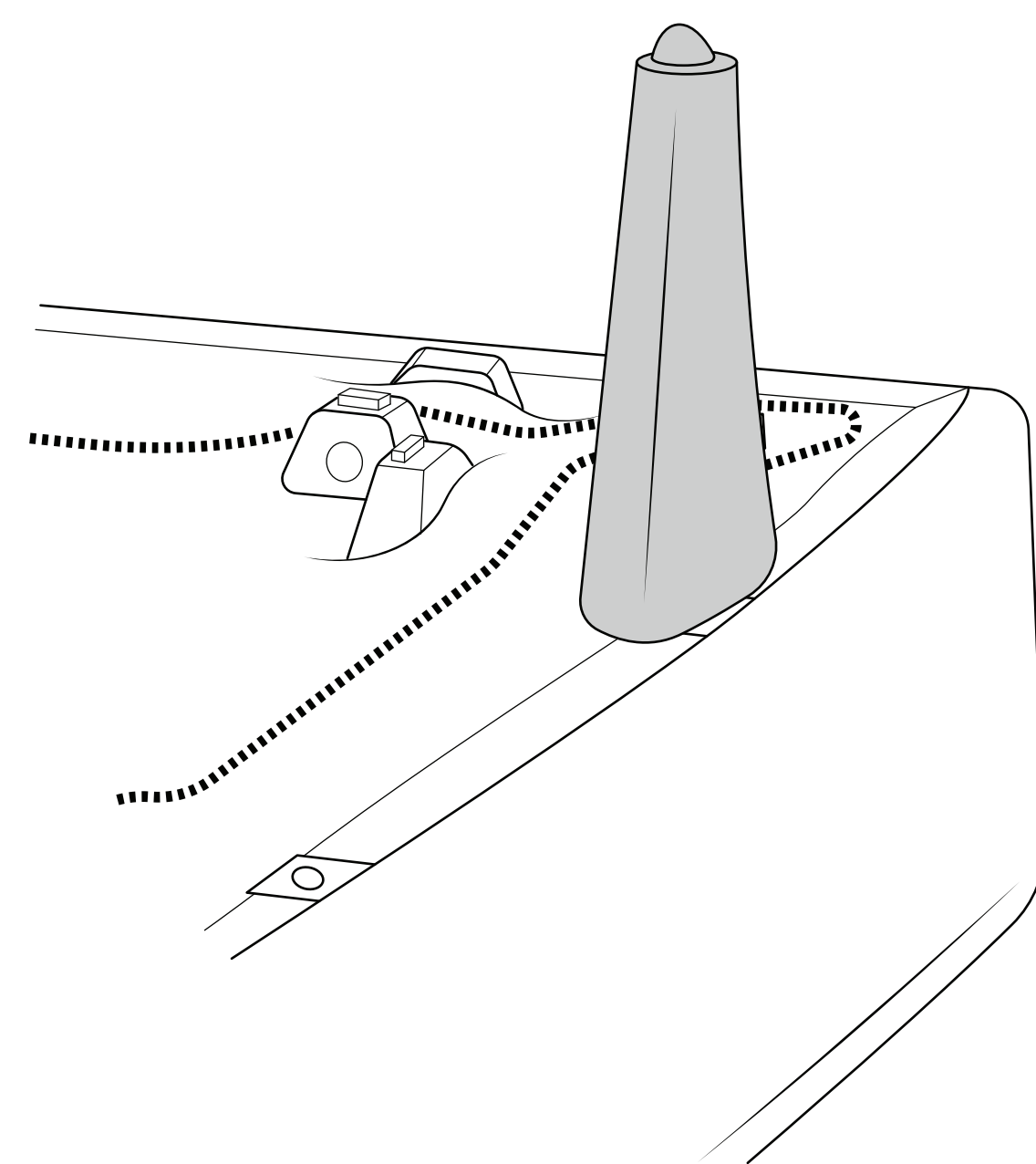
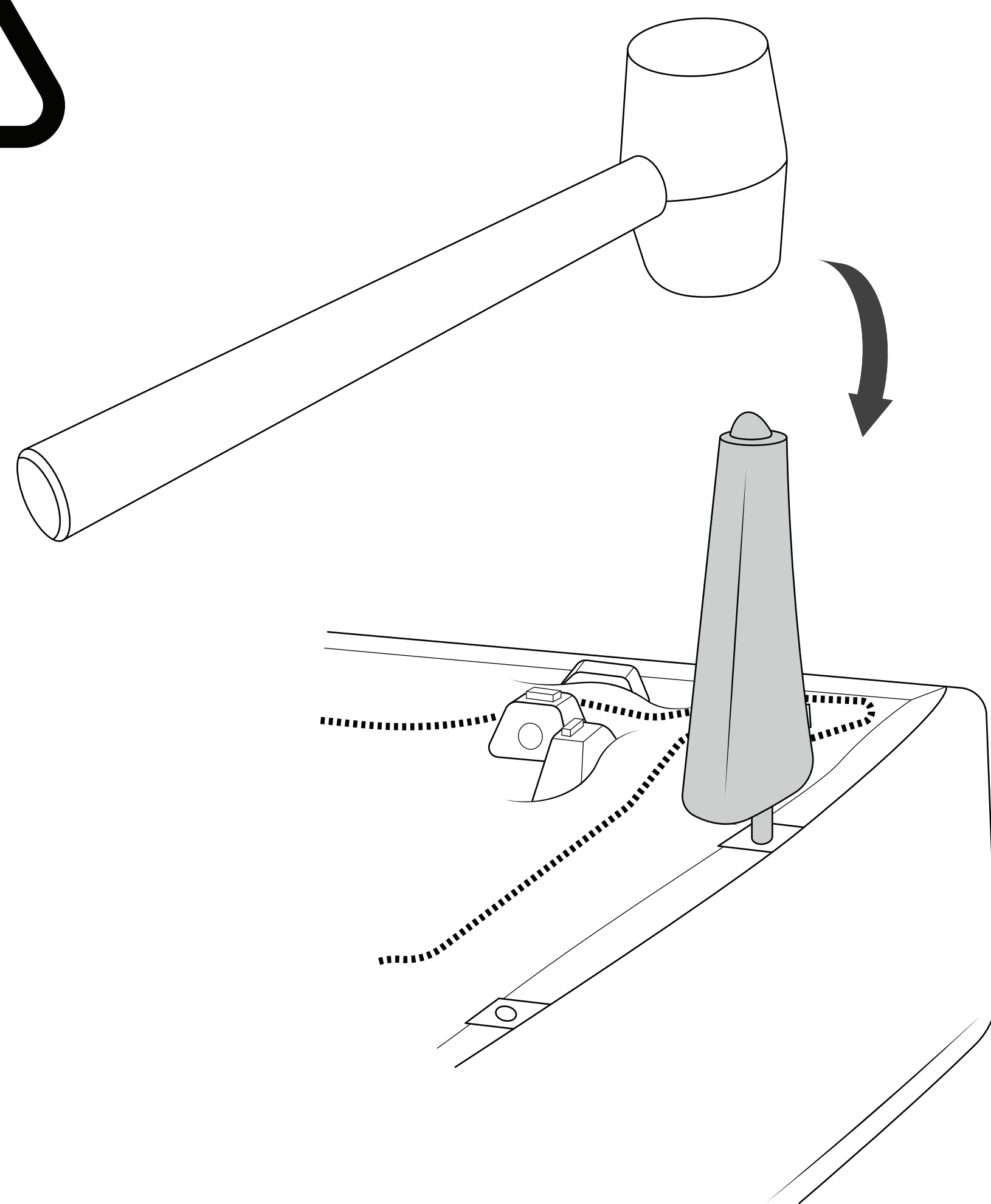
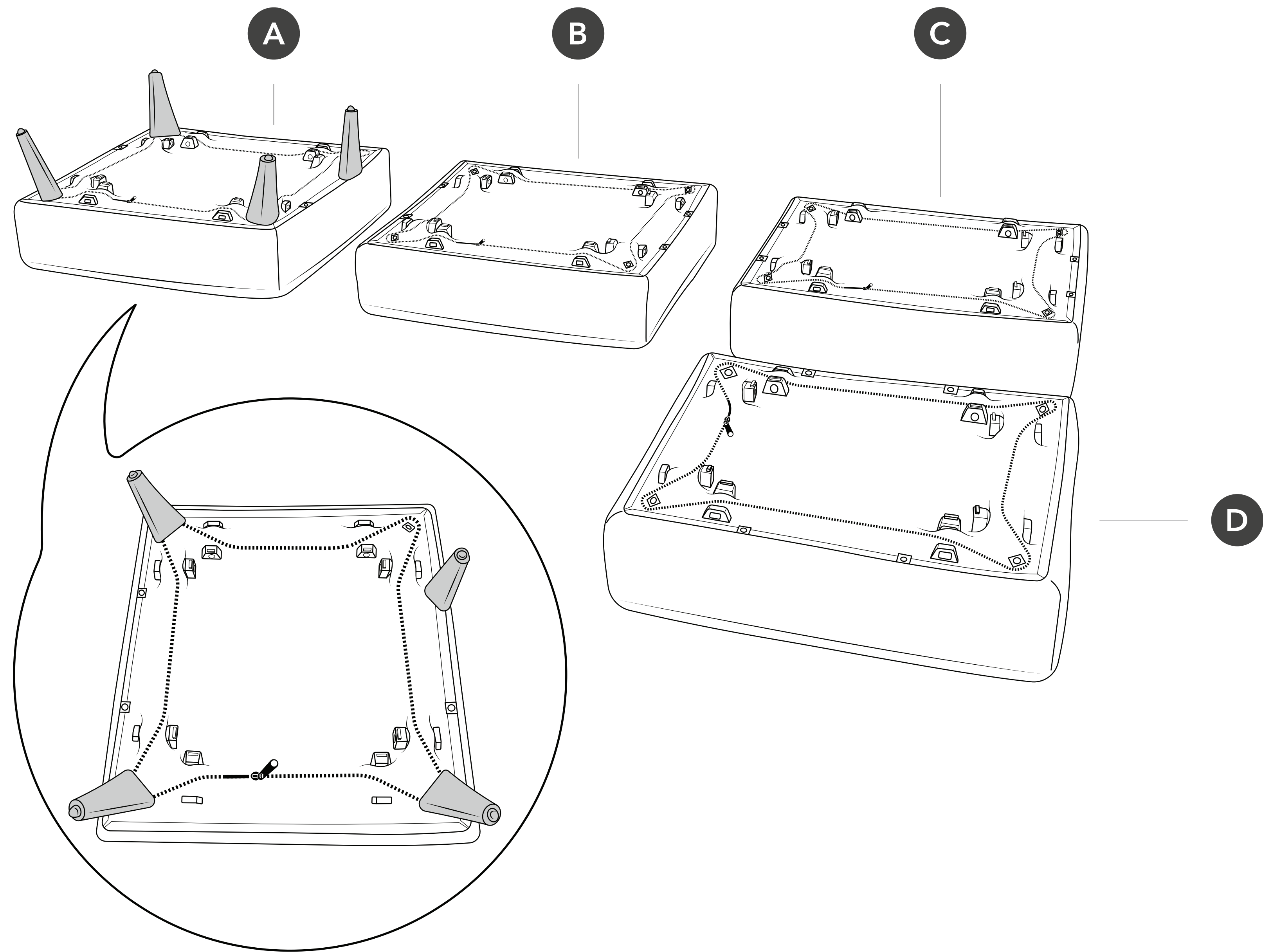
Unzip pocket underneath the seat and remove the legs, felt pads and brackets



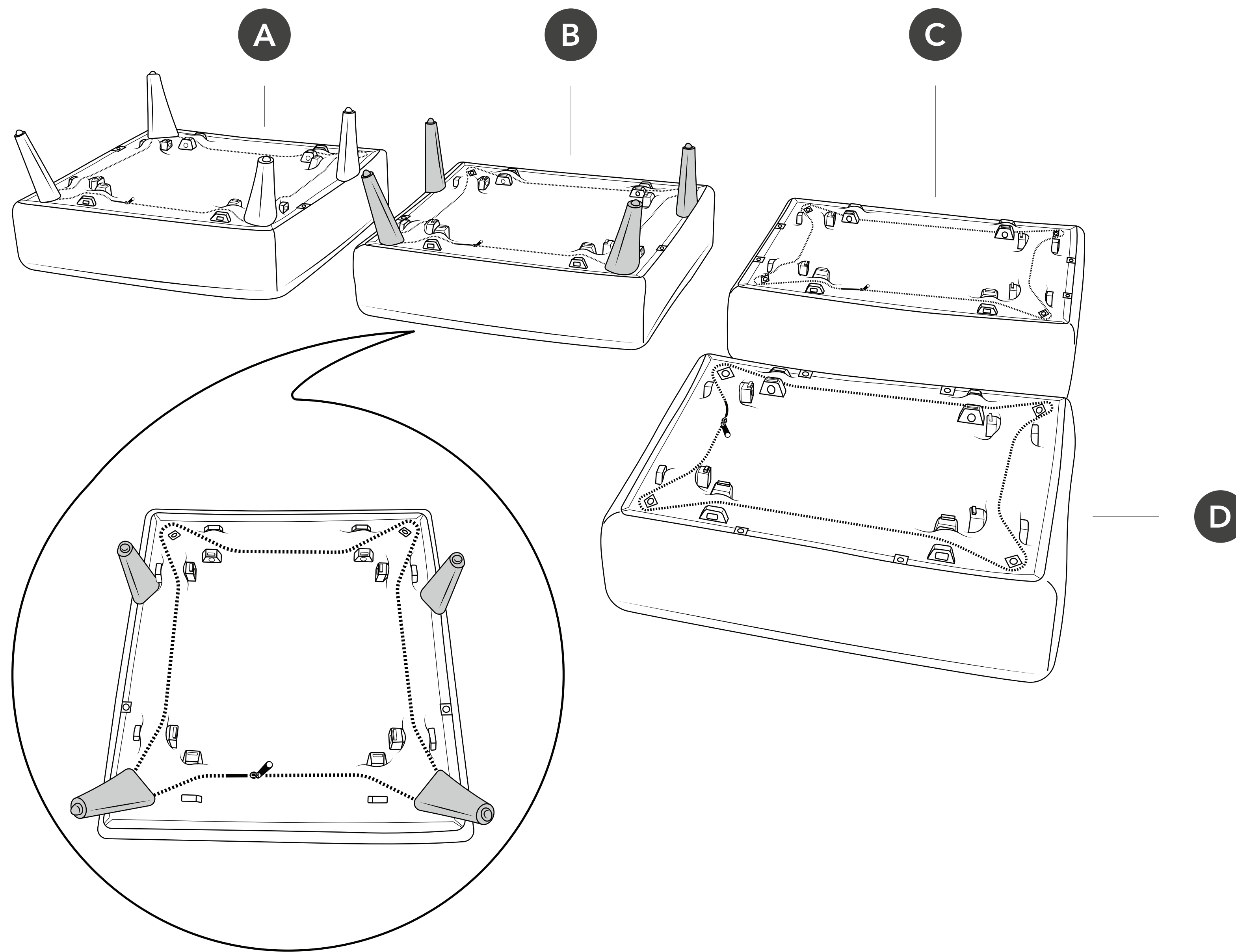
3

Insert legs into seat A

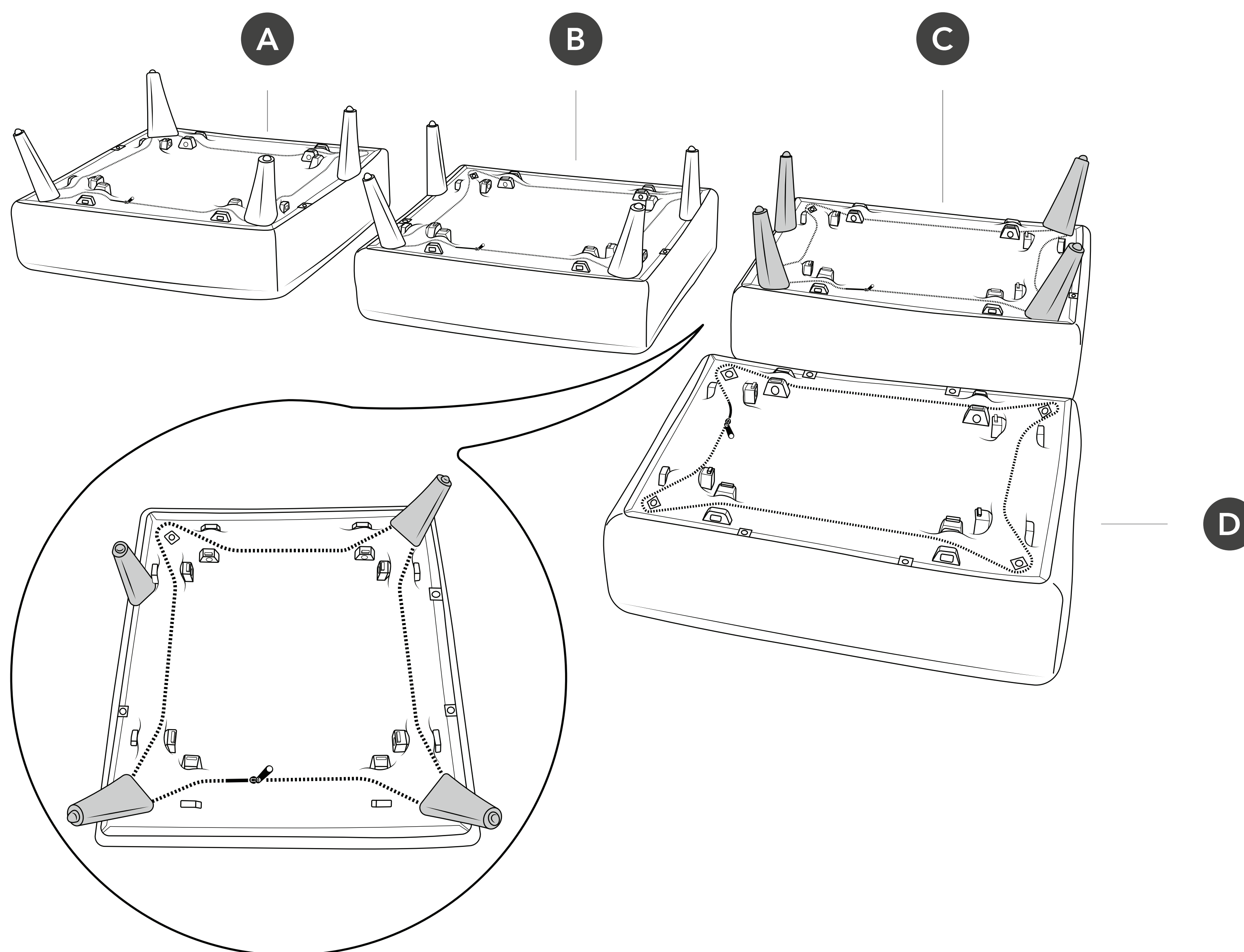
If you're unable to fully insert the legs with your hands, tap with a mallet.



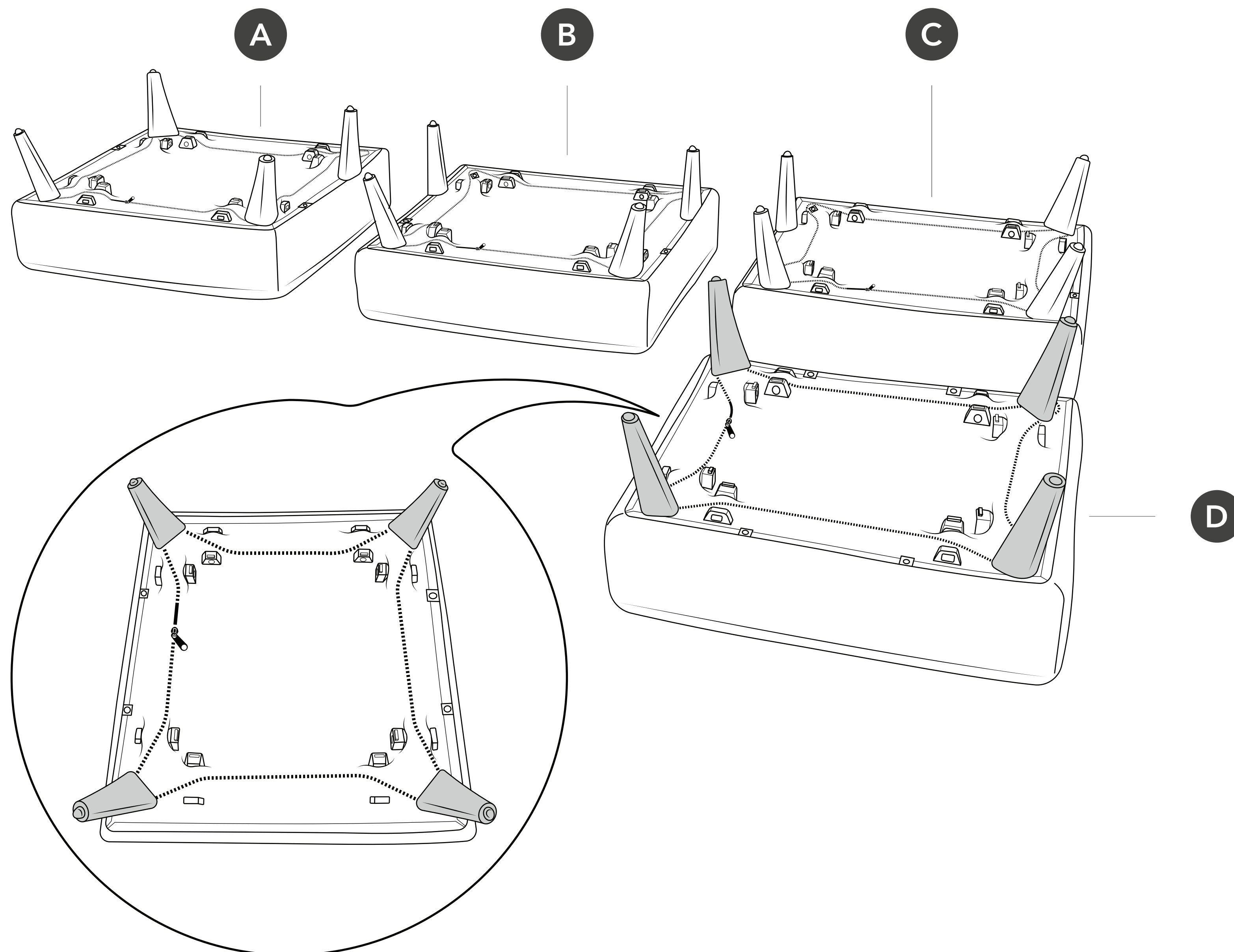
4 Insert legs into seat B



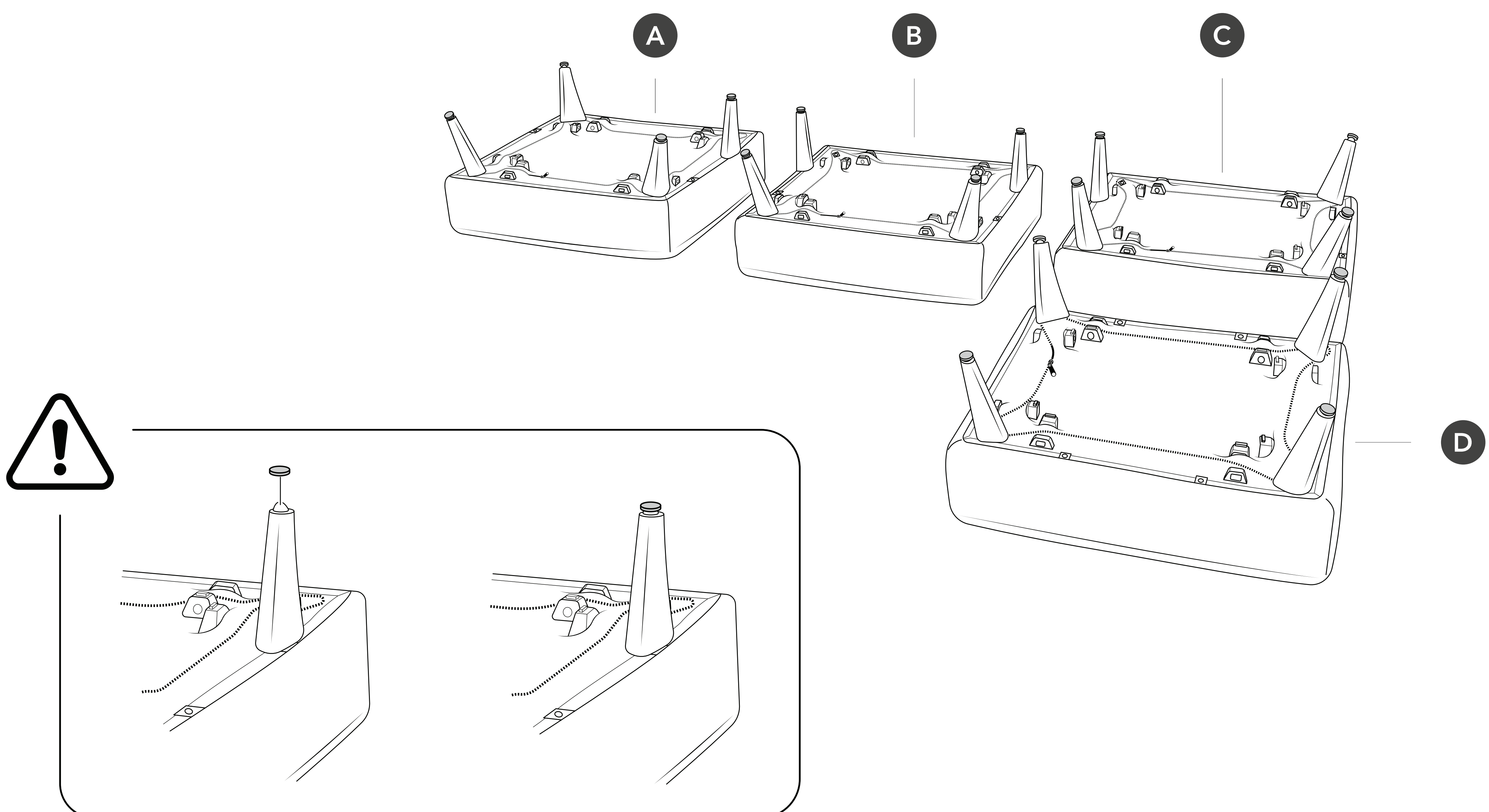
5 Insert legs into seat C



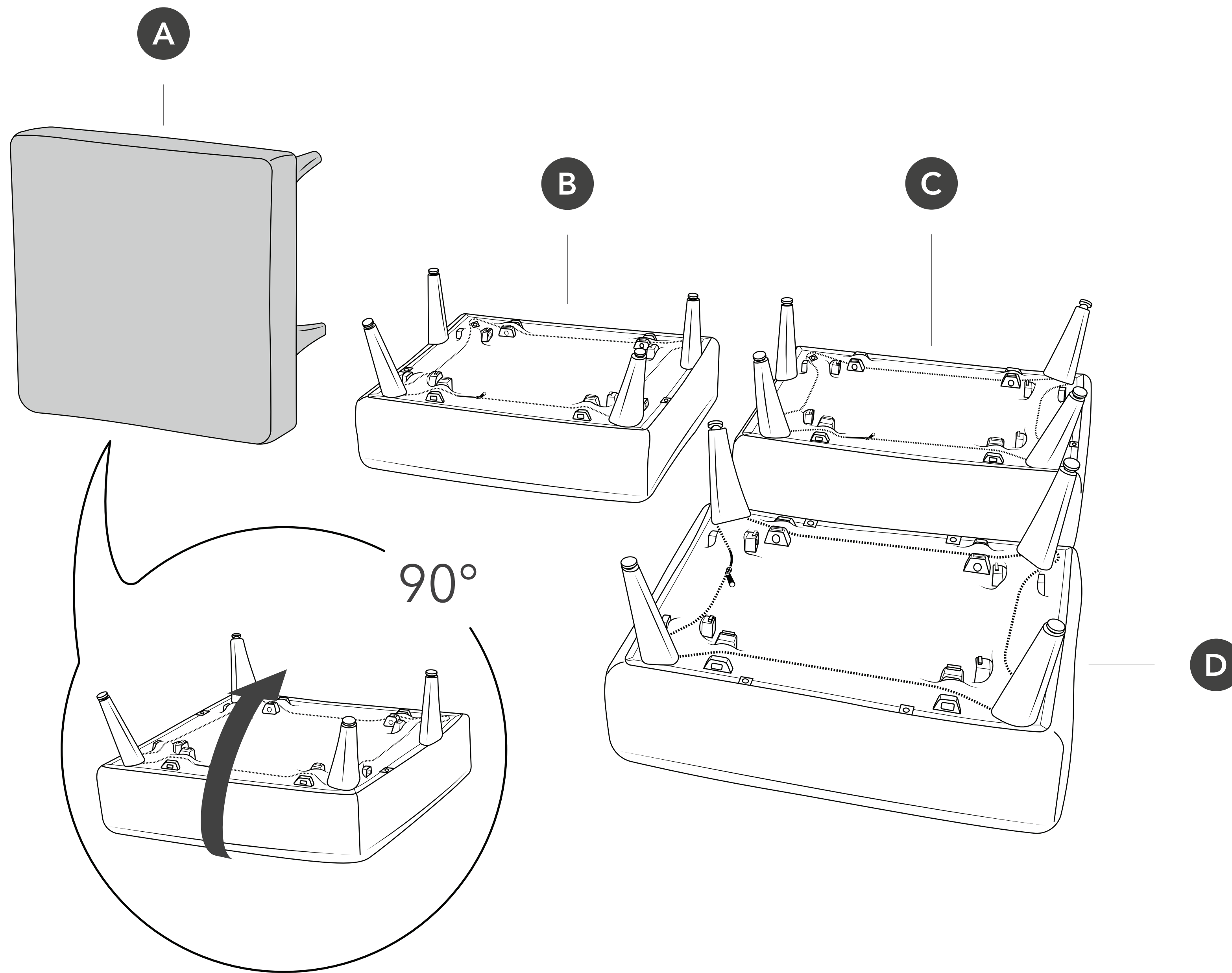
6 Insert legs into seat D



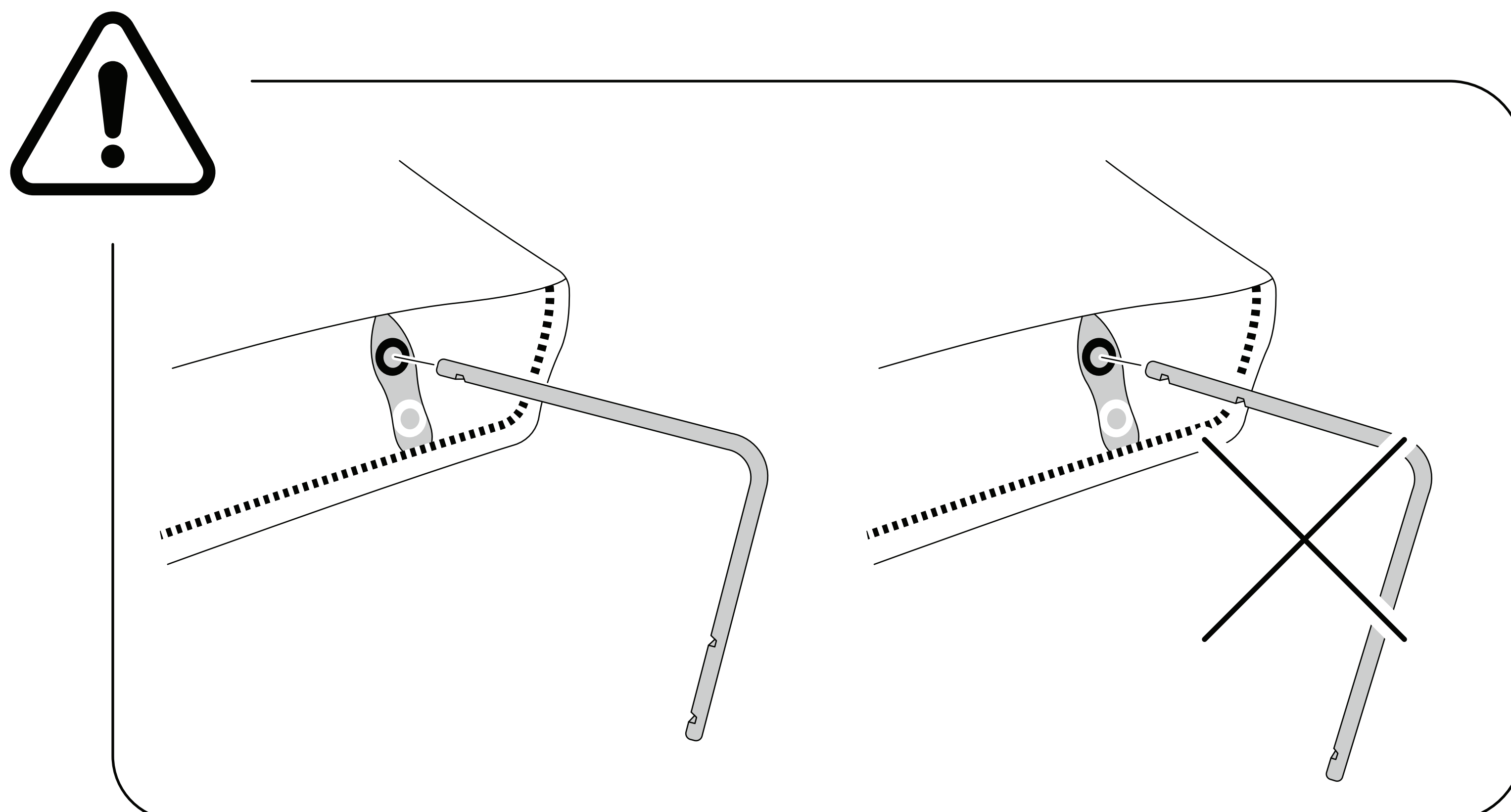
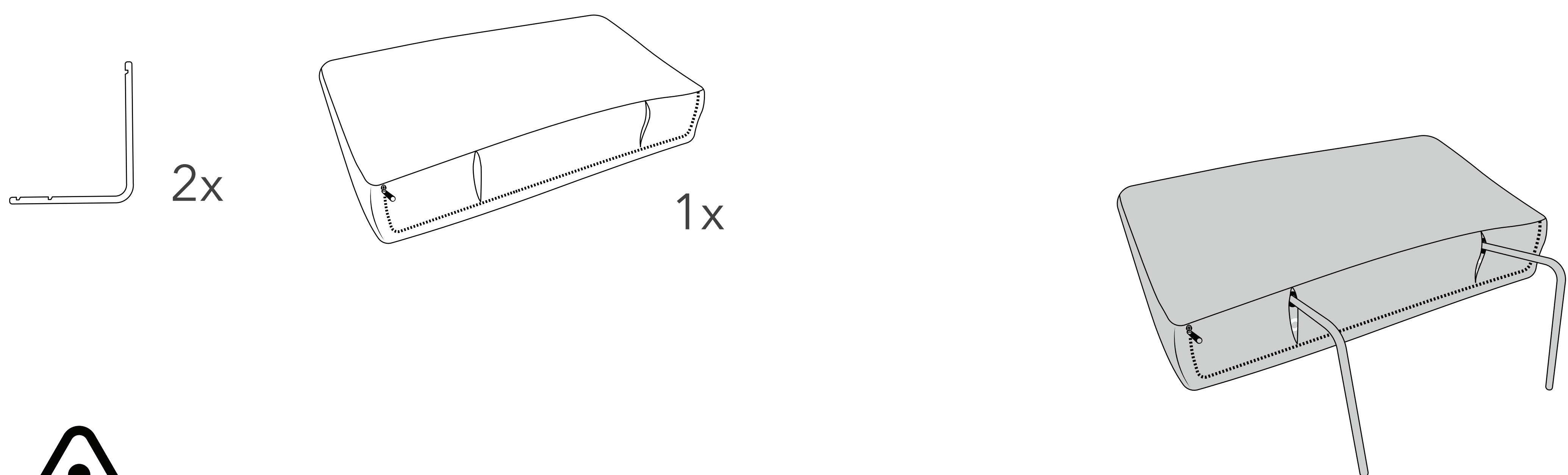
7 Attach felt pads to the legs



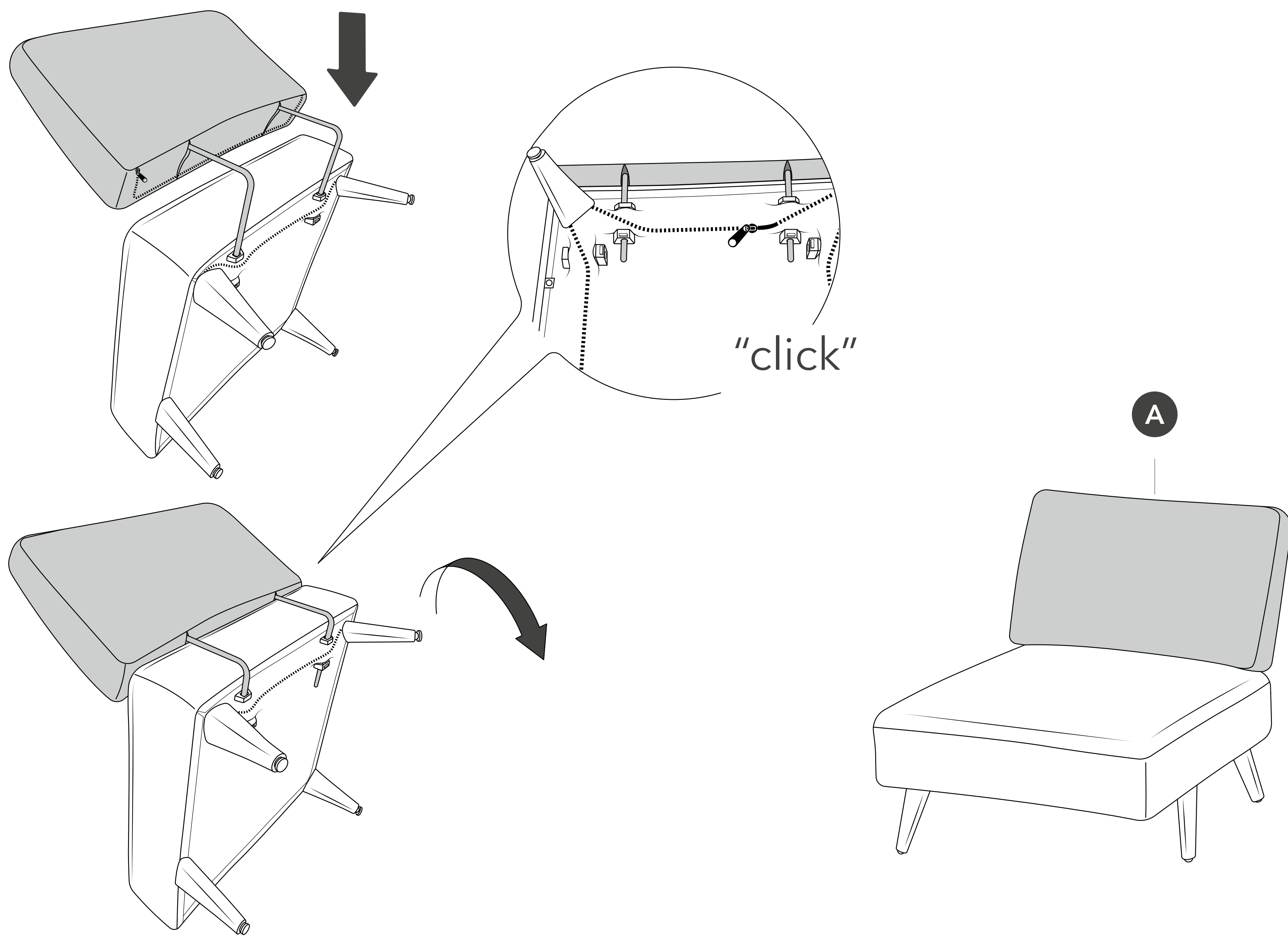
8 Rotate seat A 90°



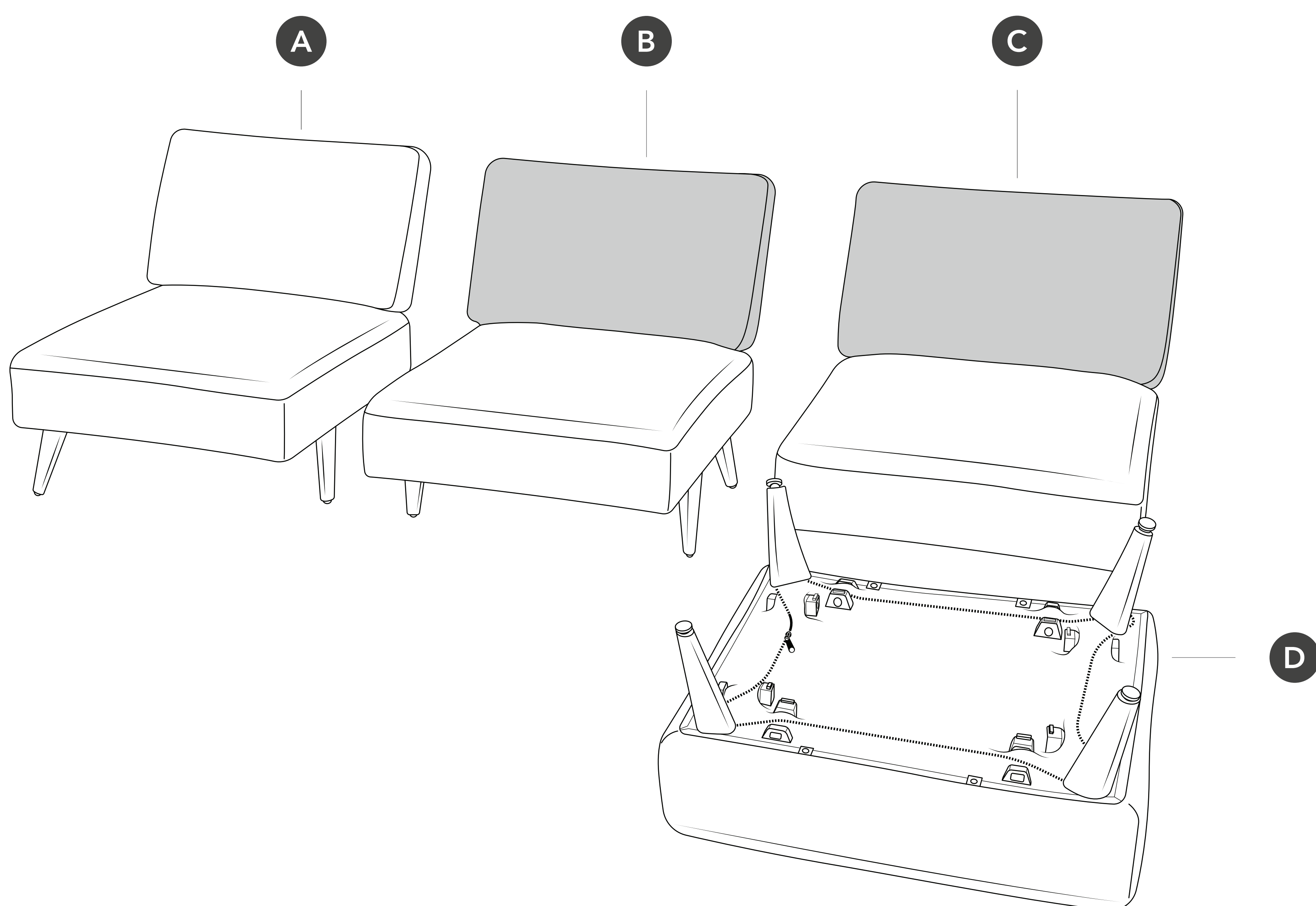
9 Insert L brackets into cushion
Insert end with one groove into black hole



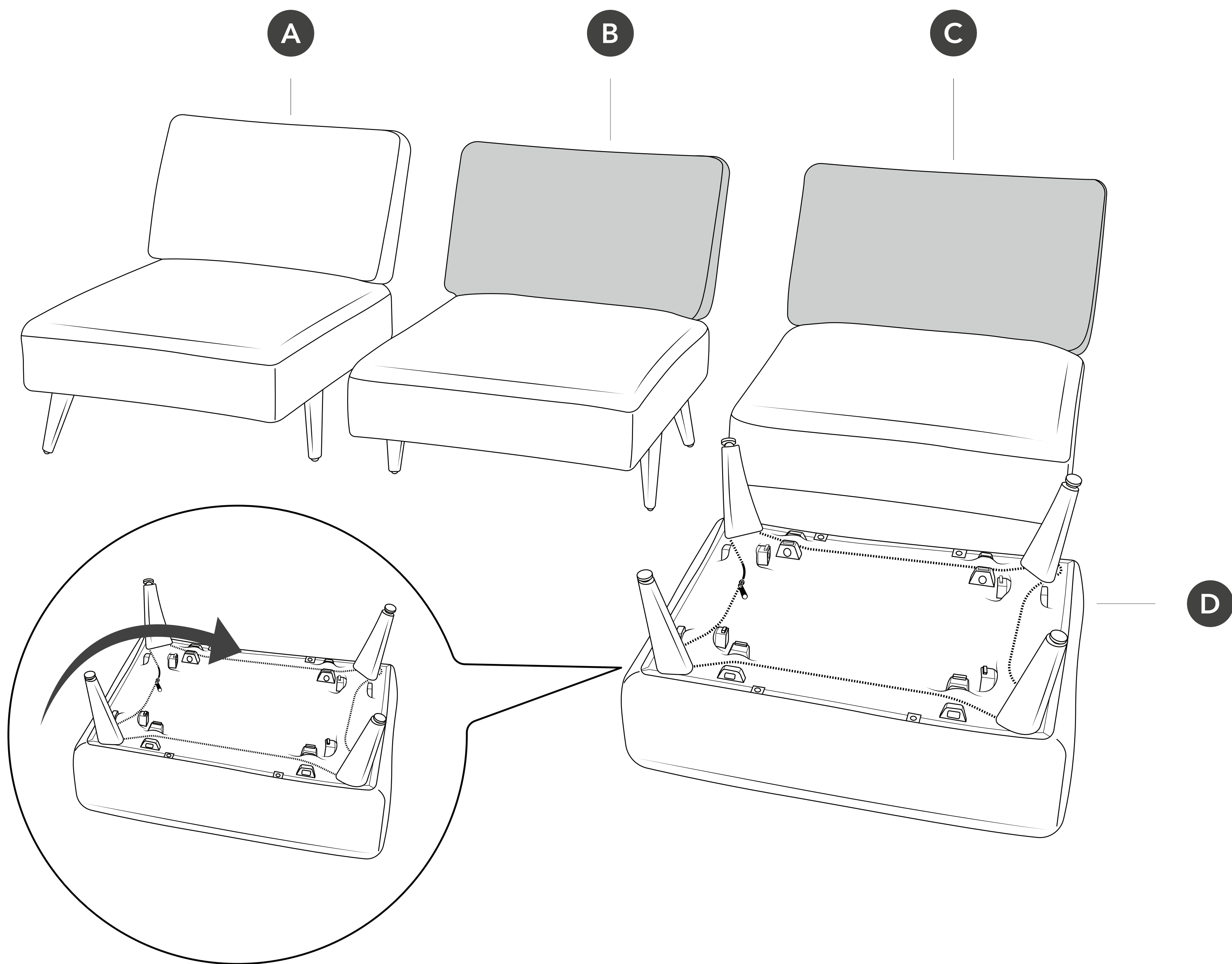
- 10** Attach cushion to seat A
Insert brackets into seat. Listen for the clicks.



- 11** Repeat for cushions B and C

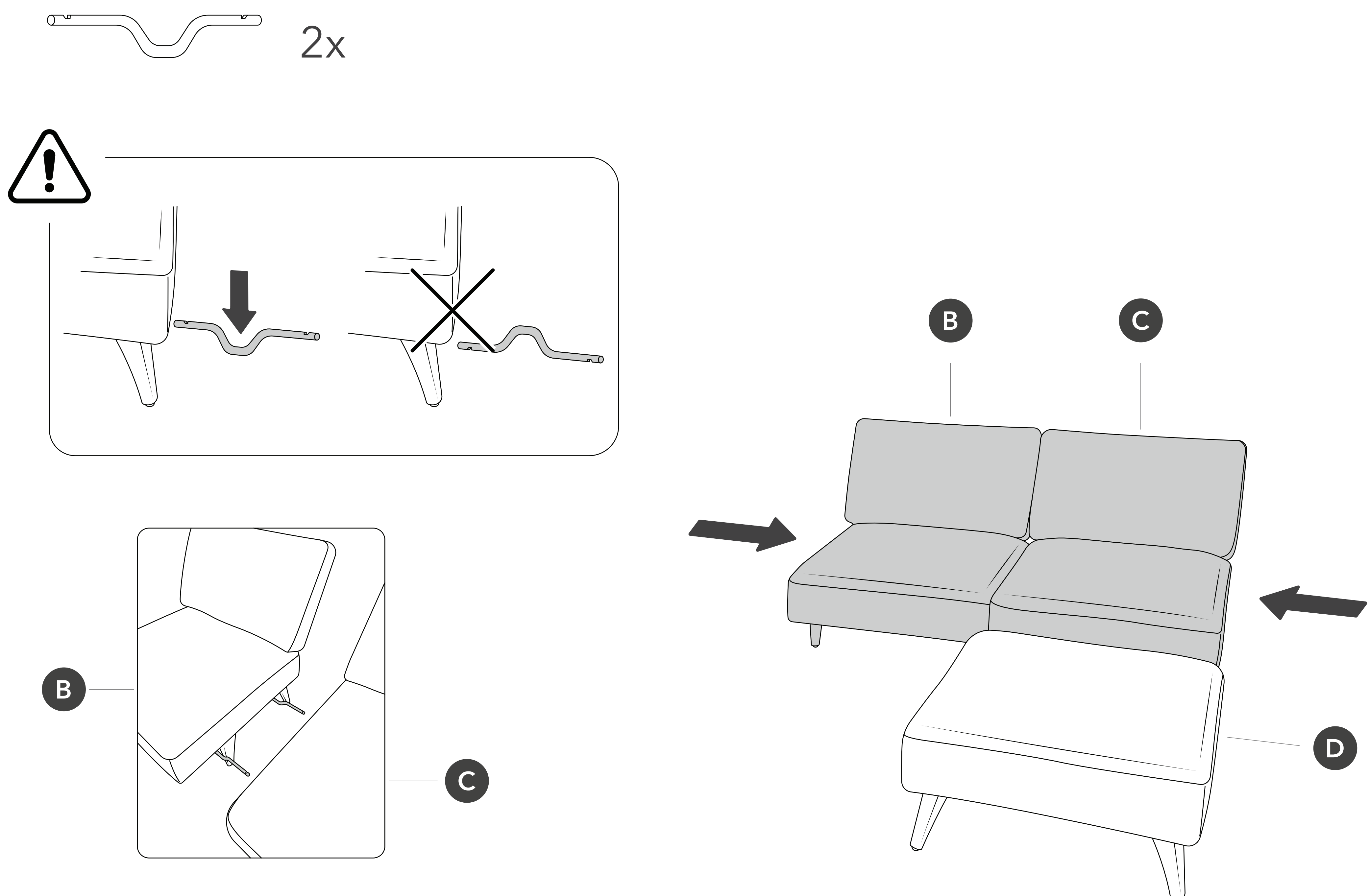


12 Rotate seat D 180°

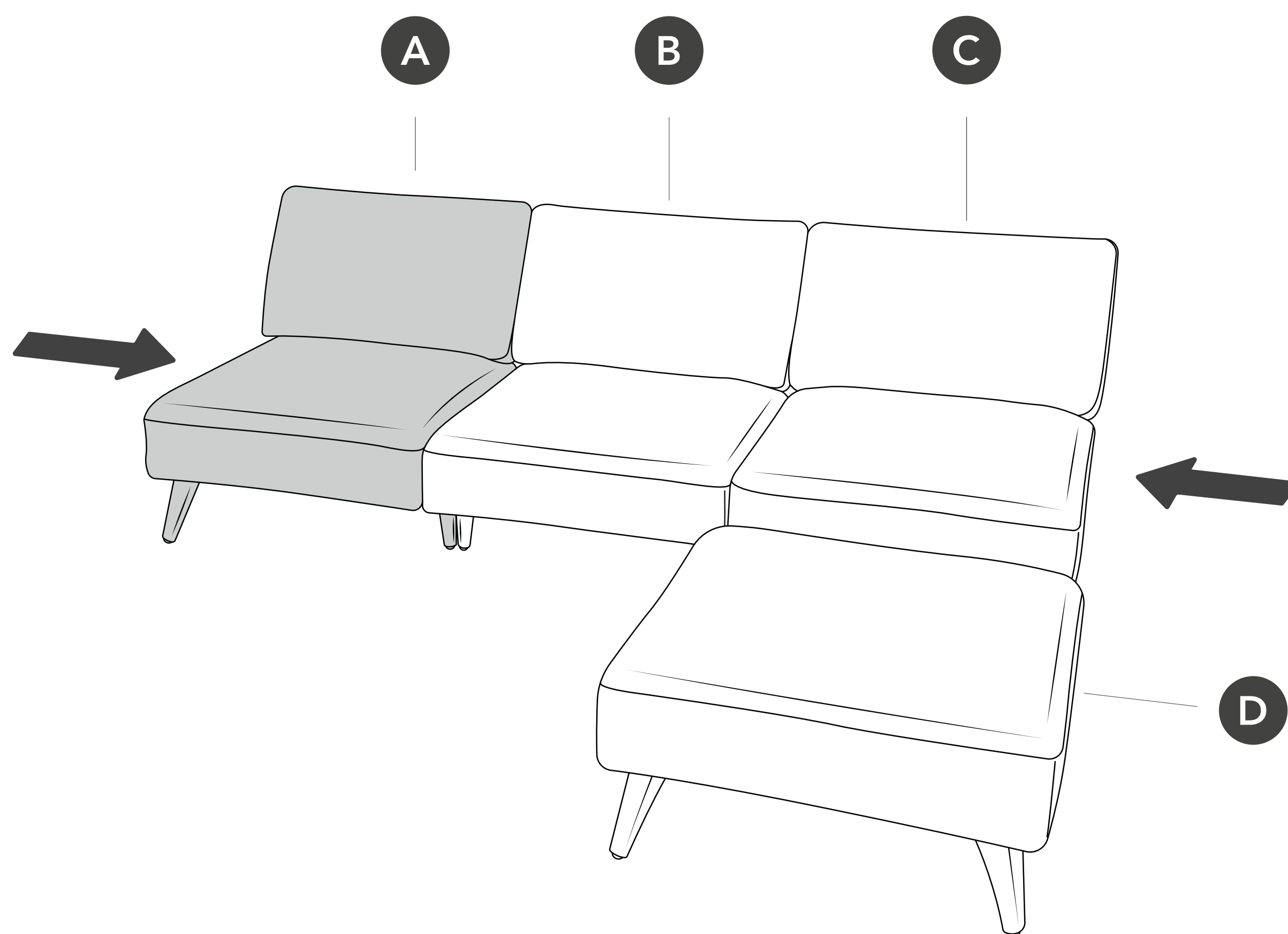
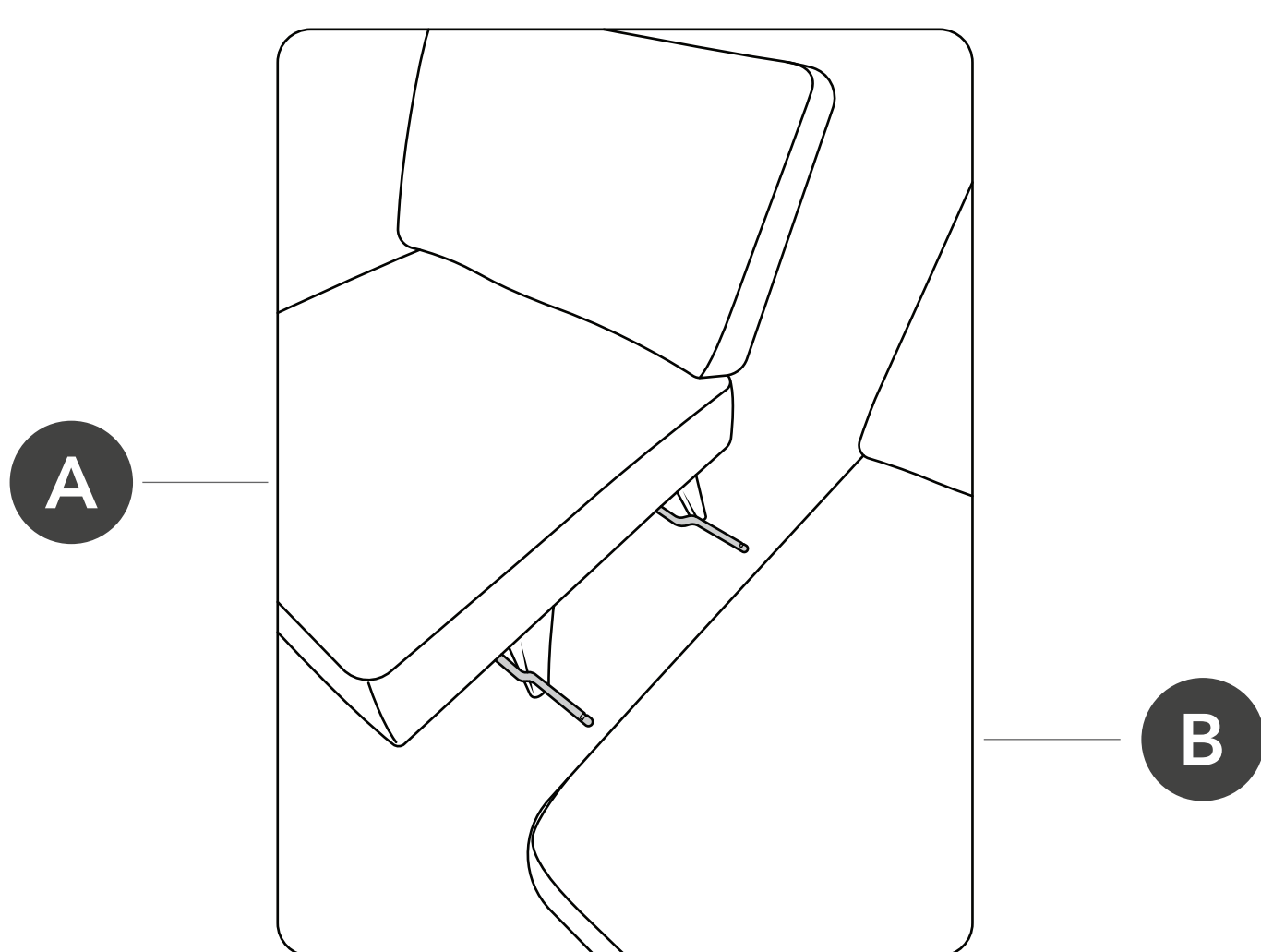
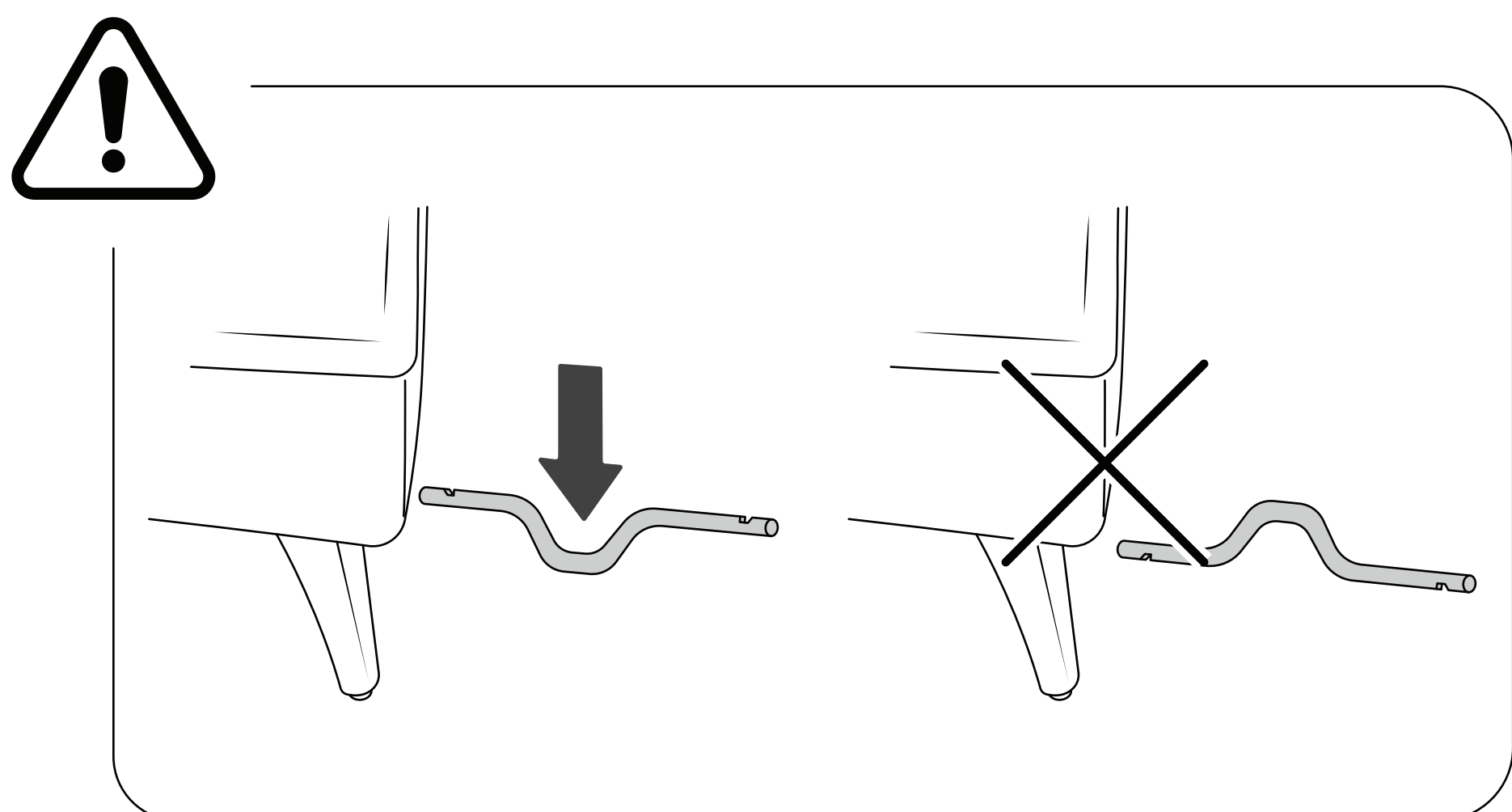
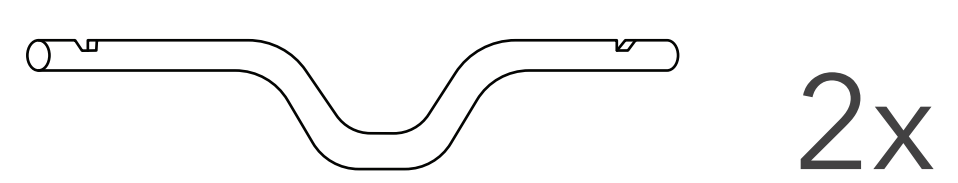


13 Join seats B and C

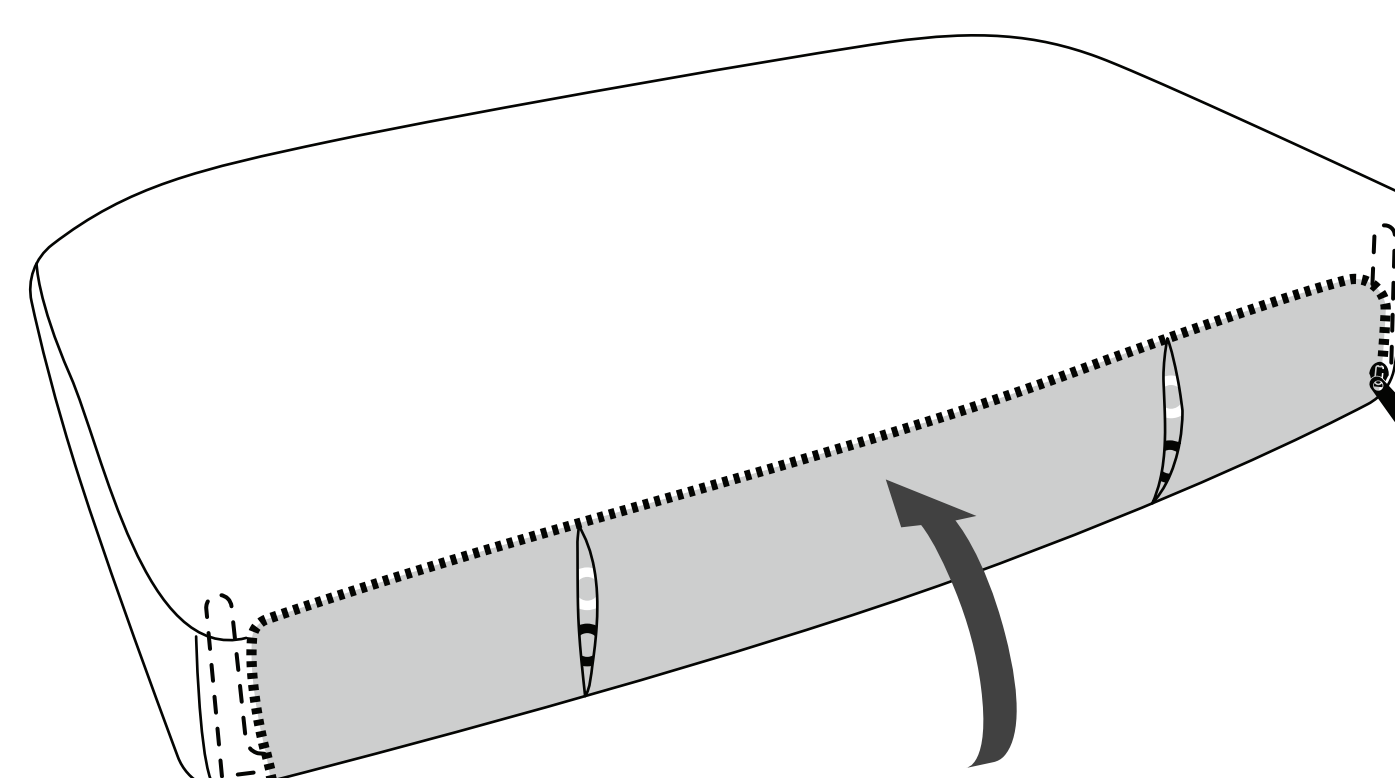
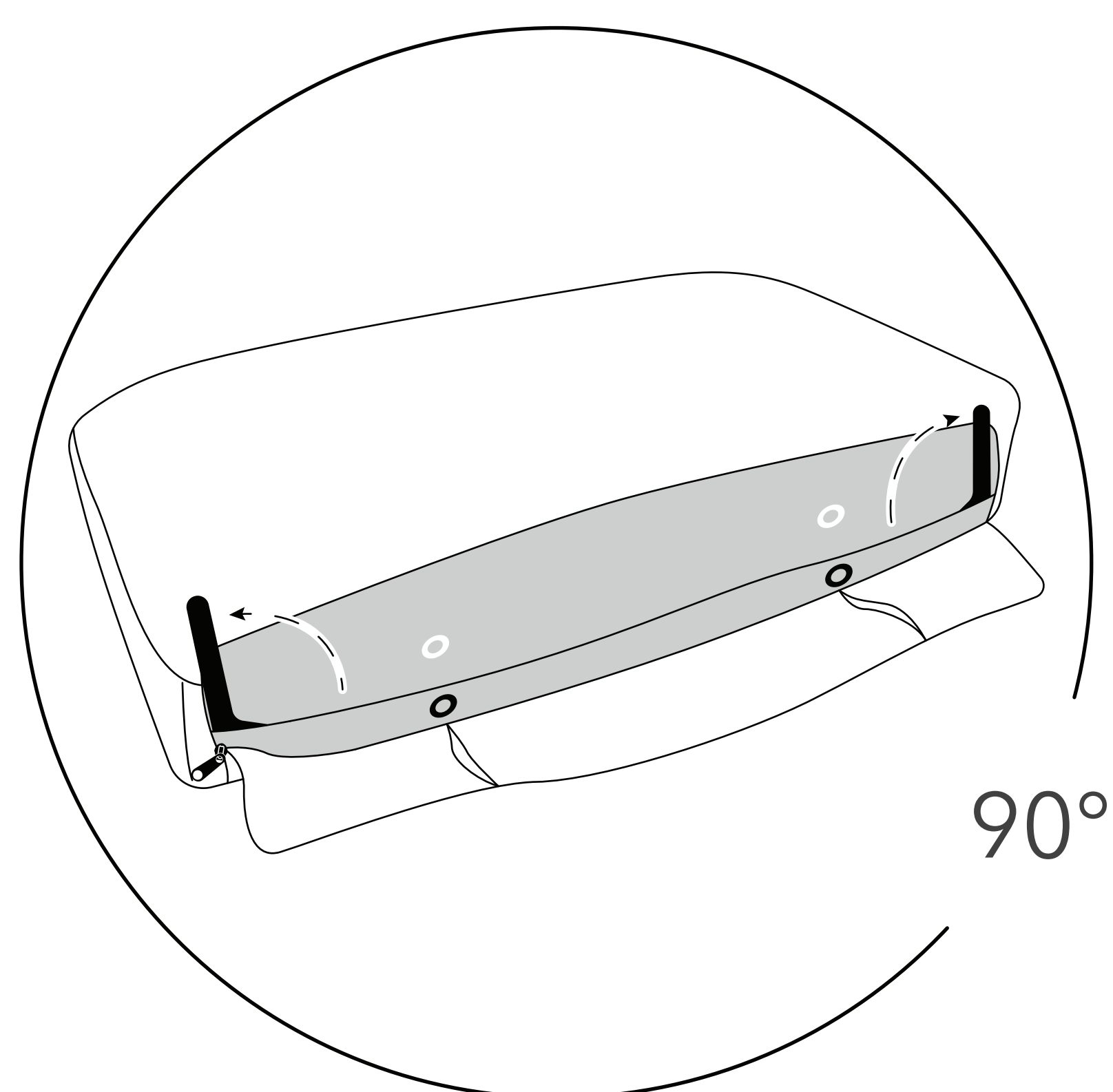
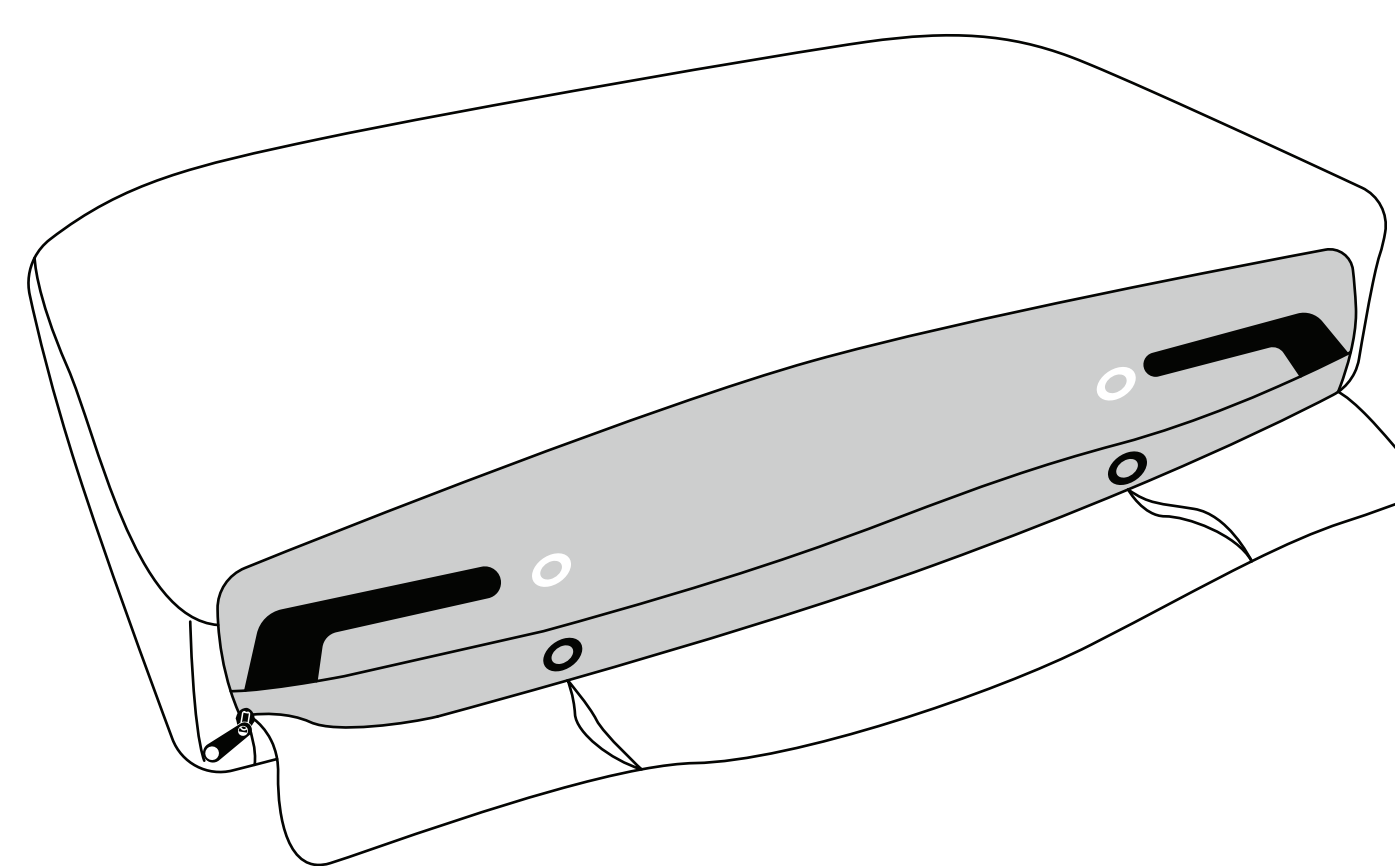
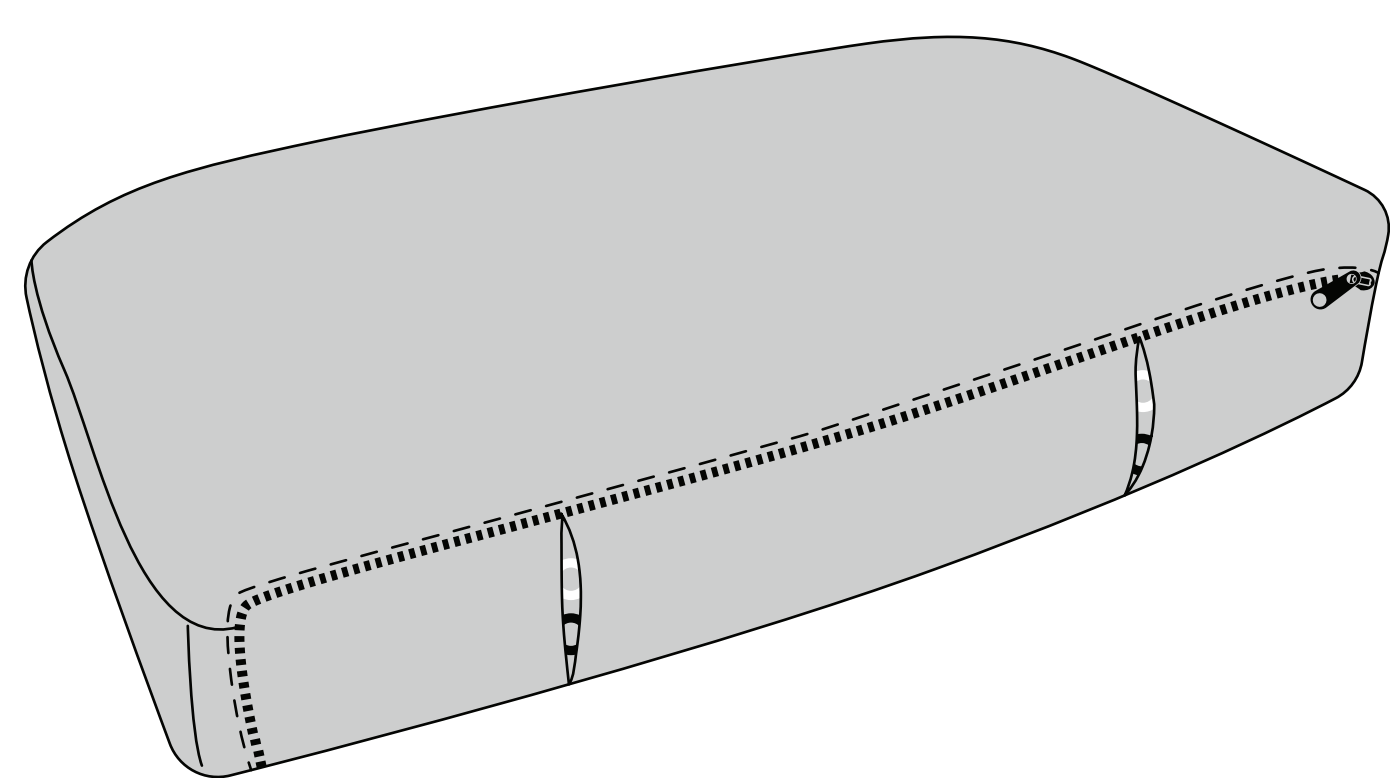
Insert joining brackets into seat B and then slide seat C onto joining brackets. Listen for the clicks.



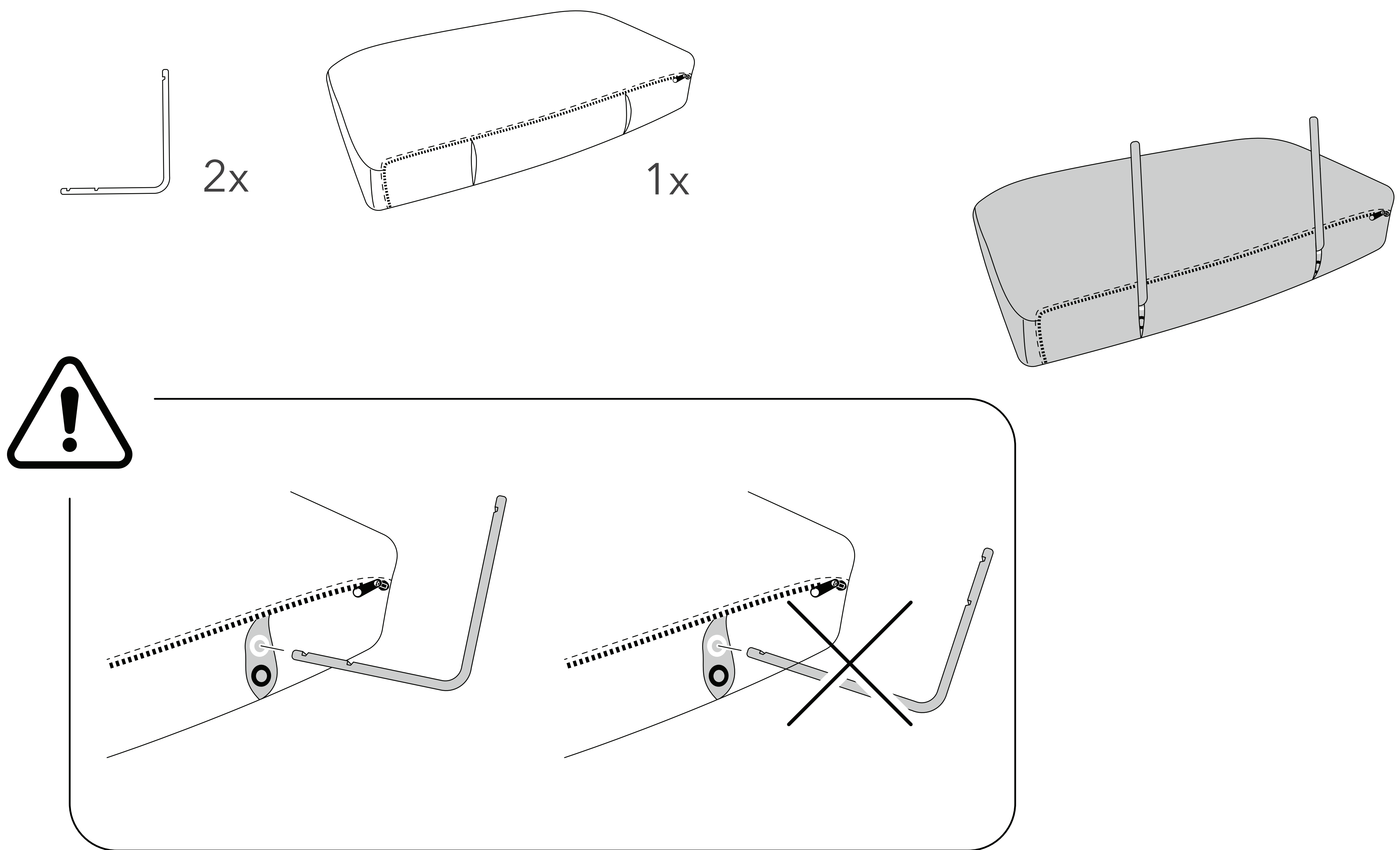
14 Join seats A and B



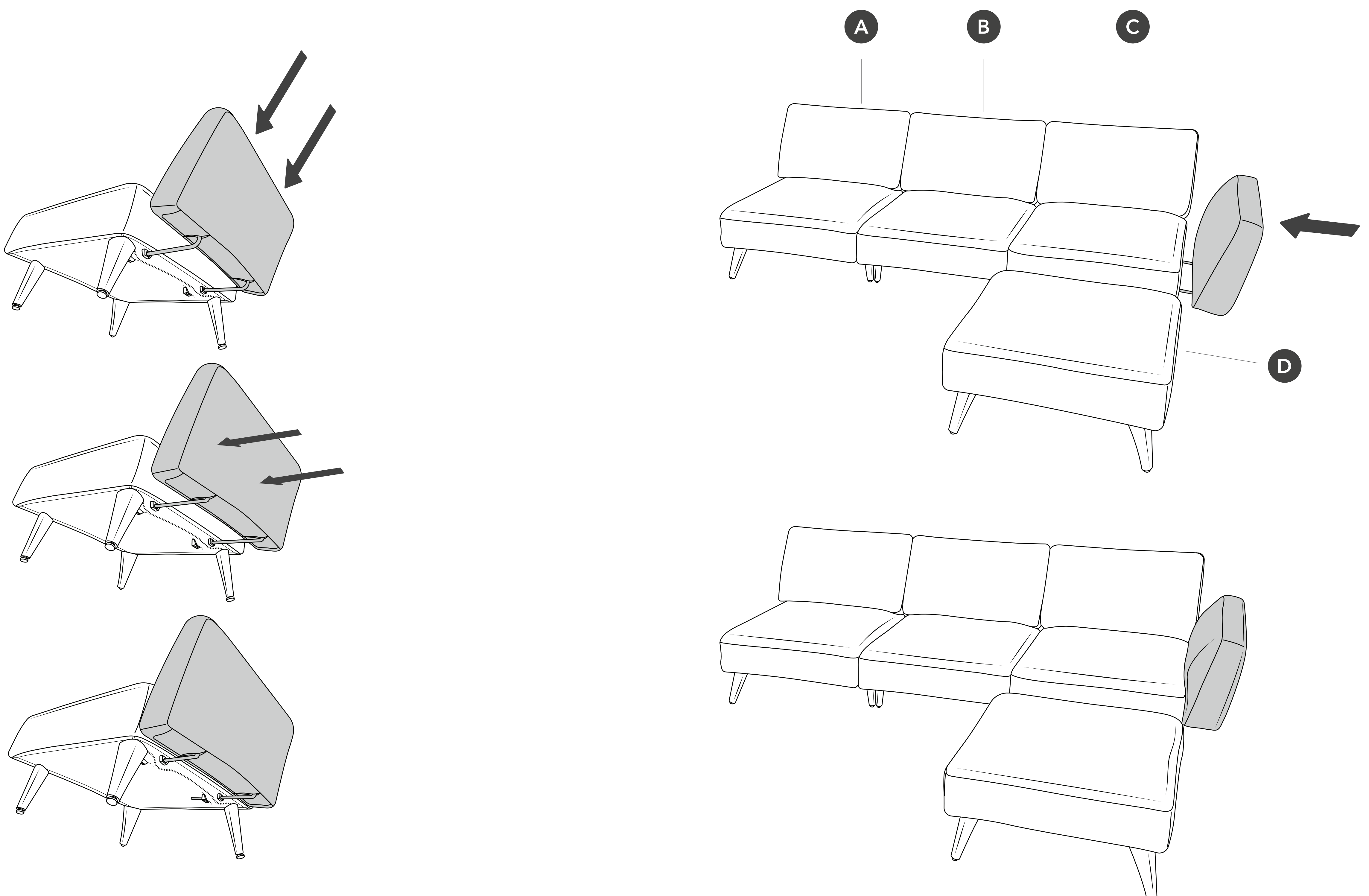
15 Adjust cushion for use as an arm
Unzip cover and swing black brackets 90°. Zip cover closed.



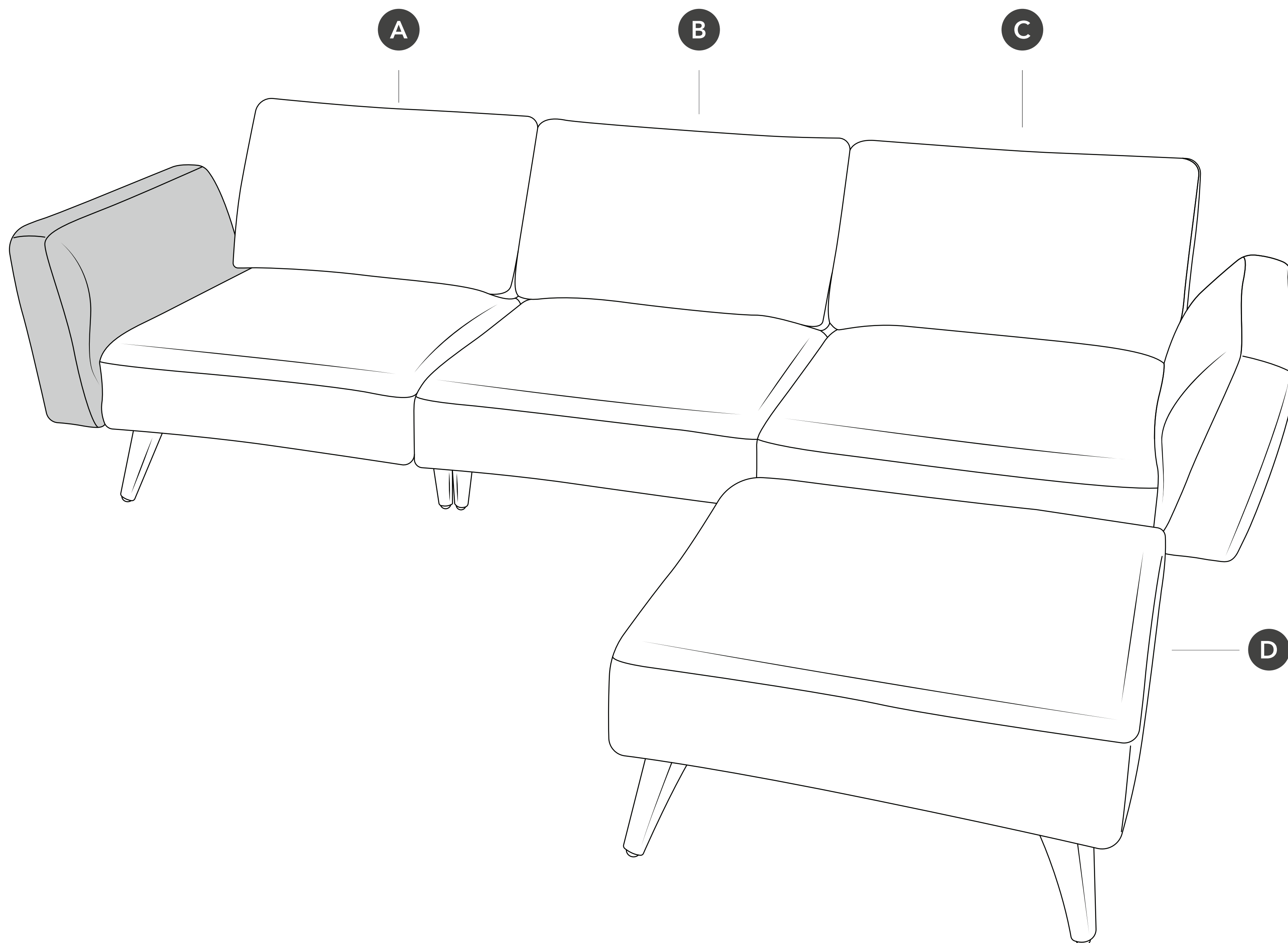
16 Insert L brackets into cushion
Insert end with two grooves into white hole



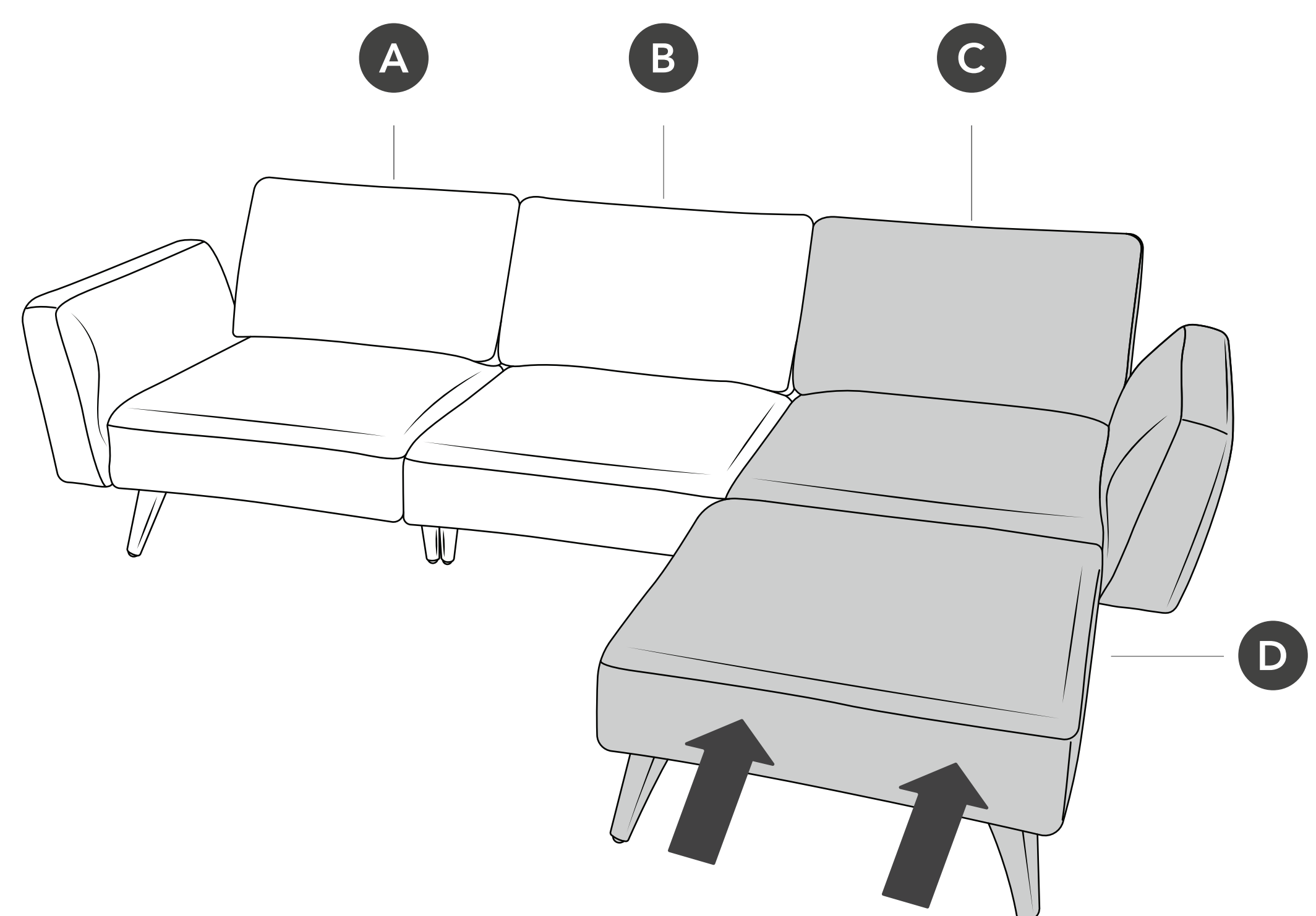
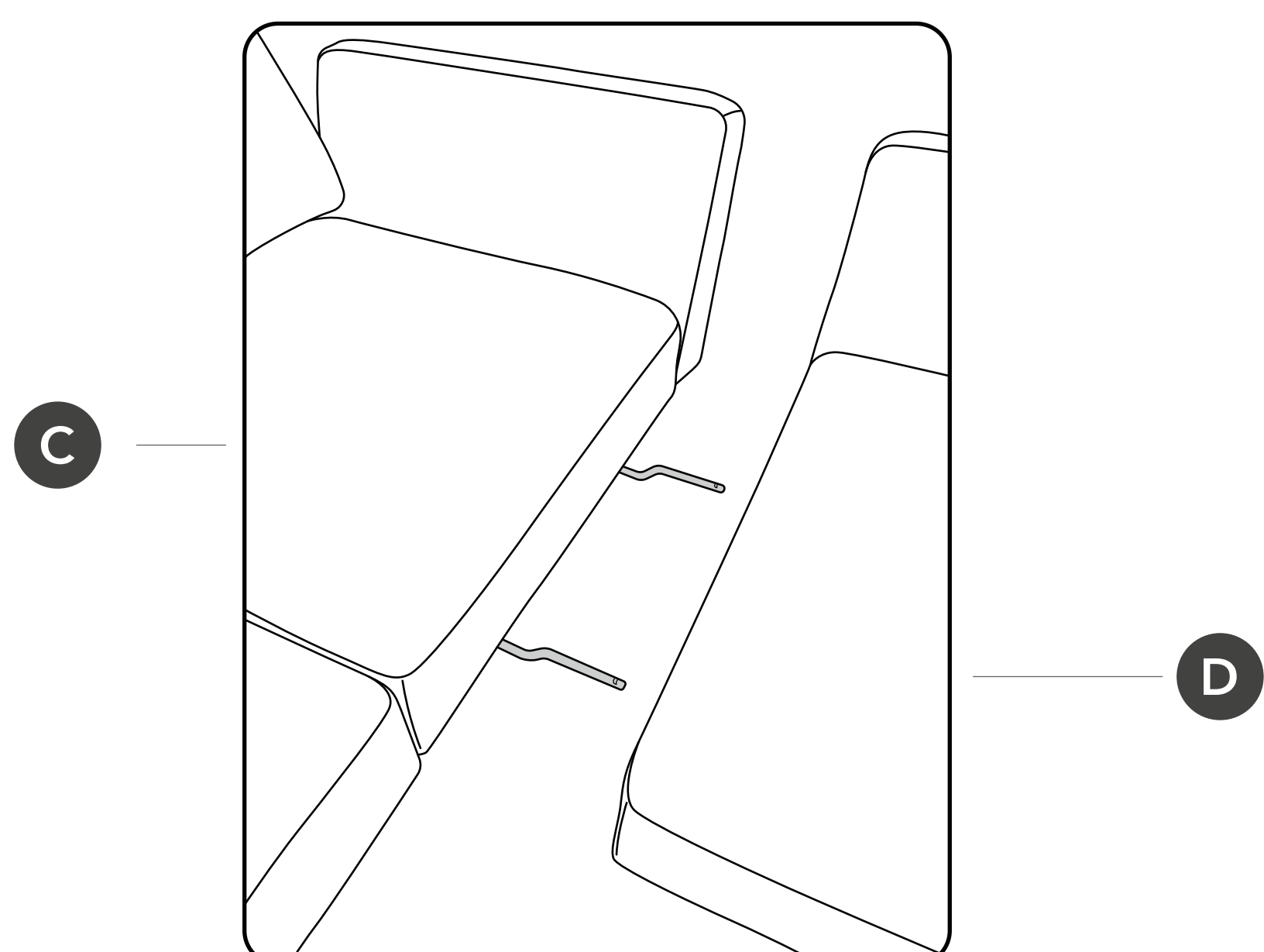
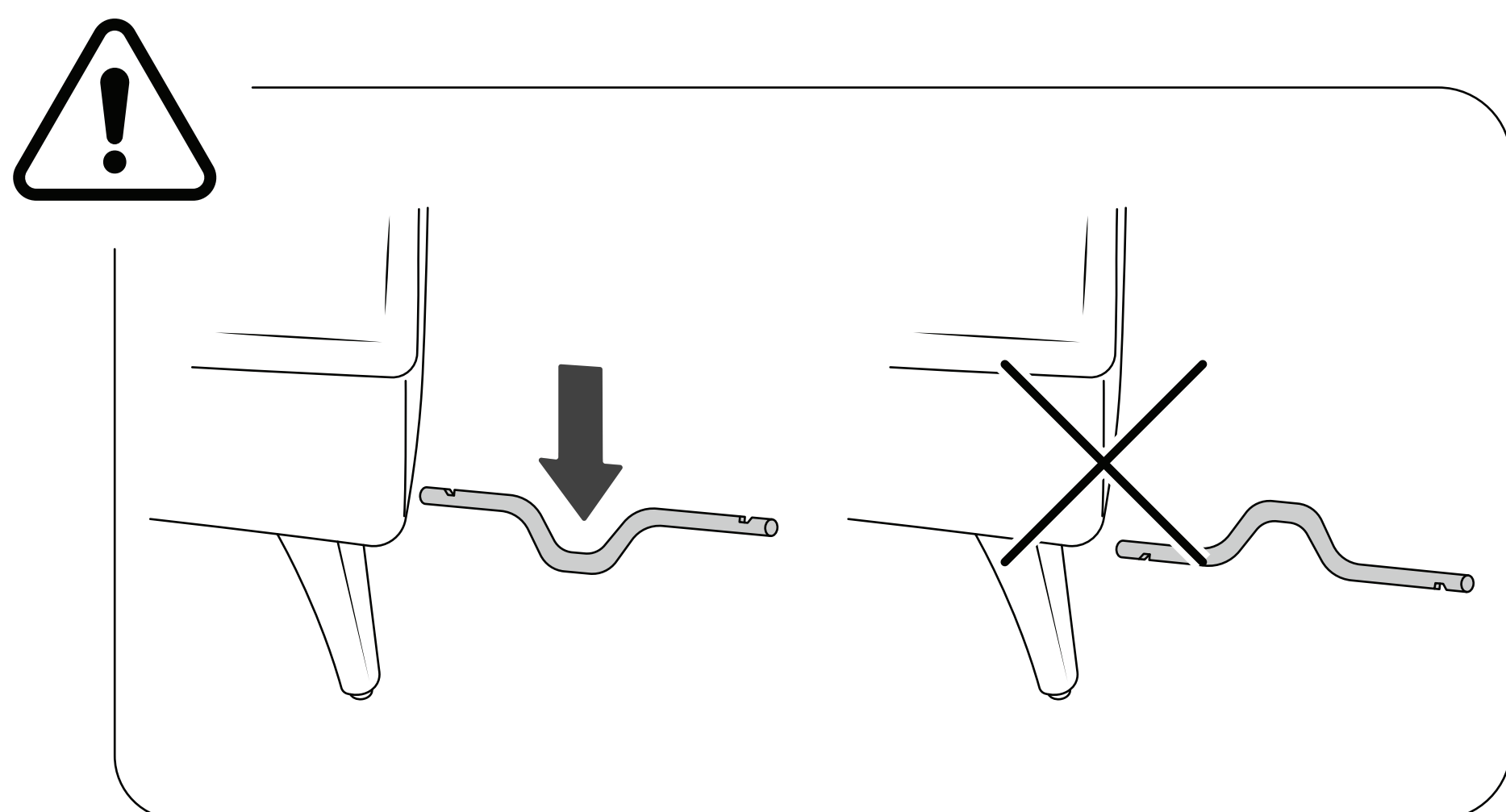
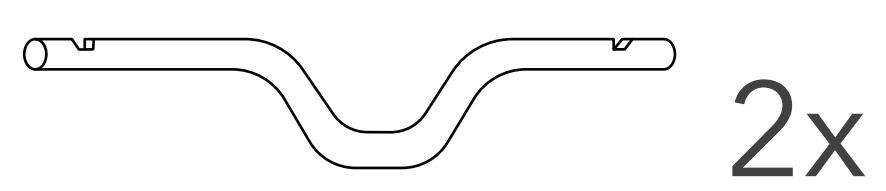
17 Attach cushion to seat C
Insert brackets into seat C. Listen for the clicks.



18 Attach remaining cushion to seat A



19 Join seats C and D
Insert joiner brackets into seat C and then slide seat D onto joiner brackets.
Listen for the clicks.





We're here to help

For help and support contact us live on chat or email us at support@wattleliving.com