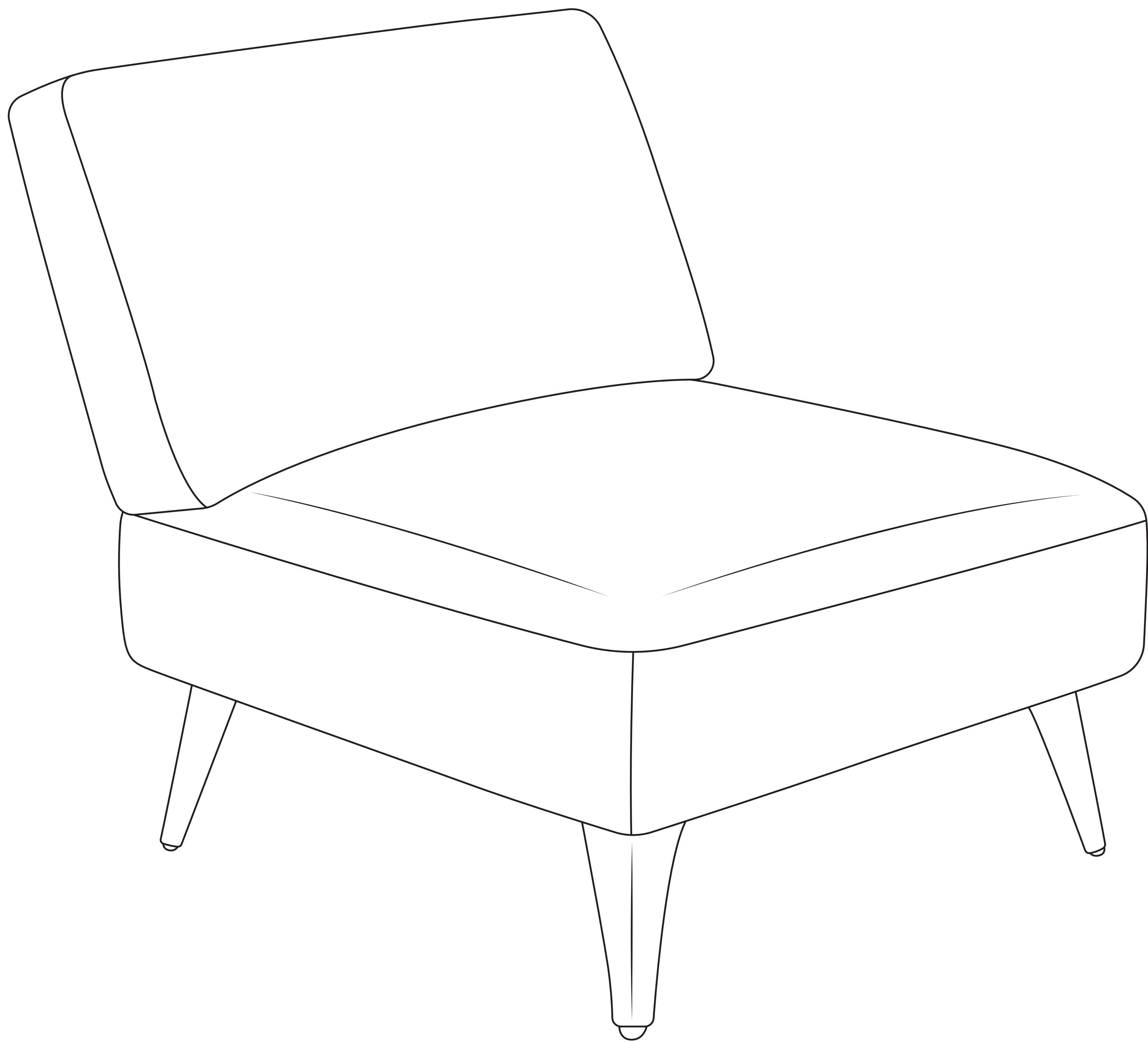
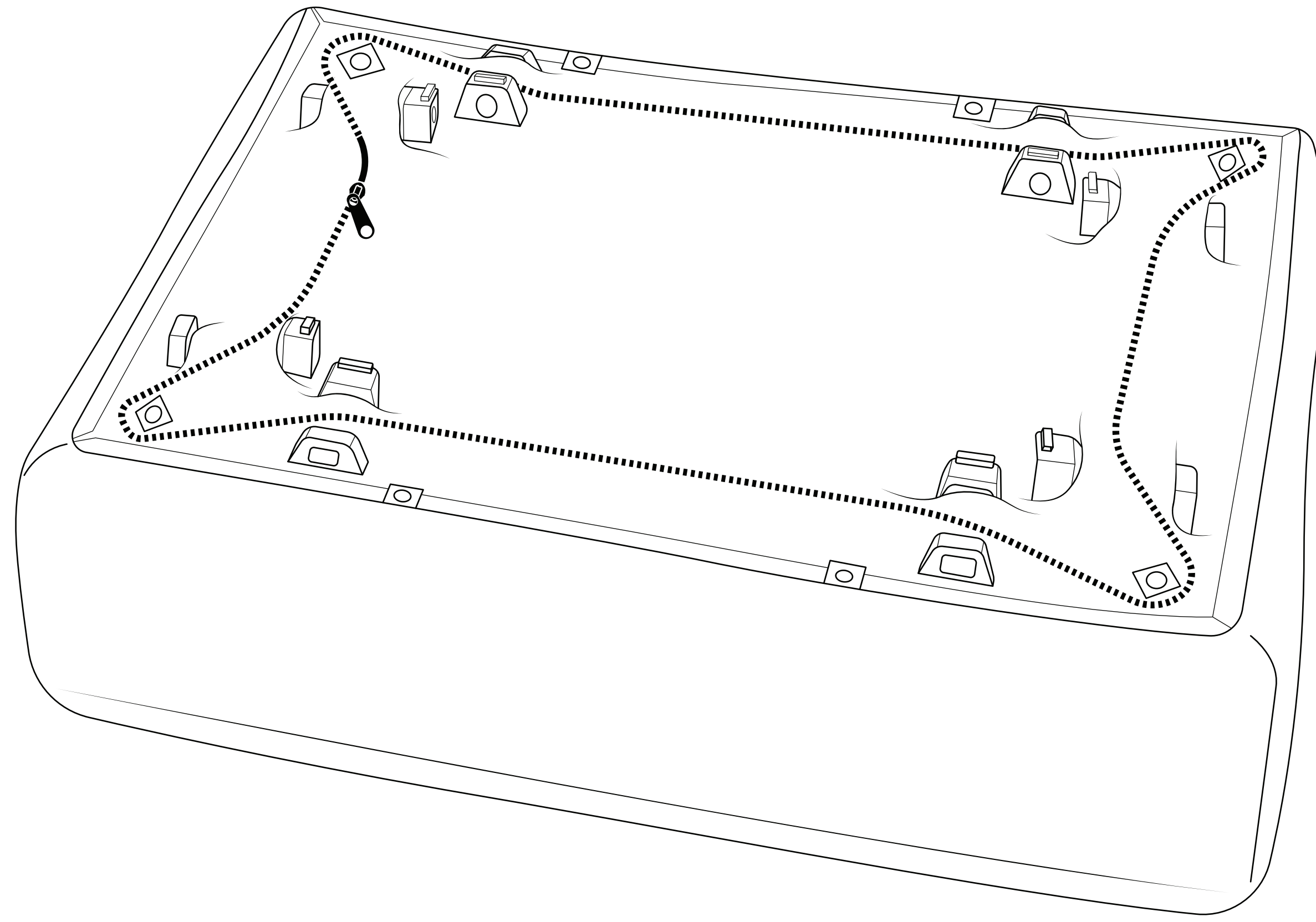


Let's set up your 1 seat module

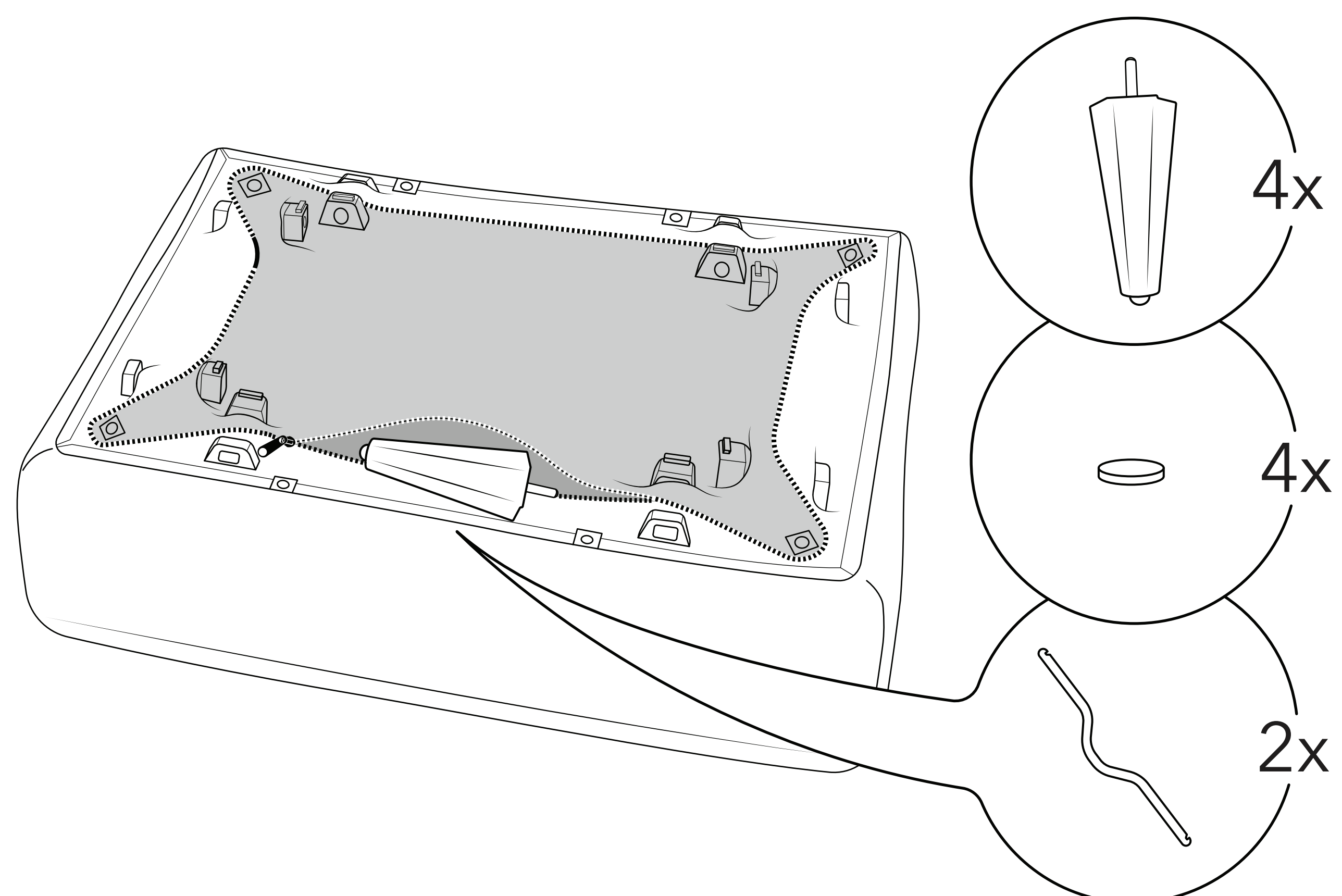


**1** Unbox seat



**2** Remove legs and brackets

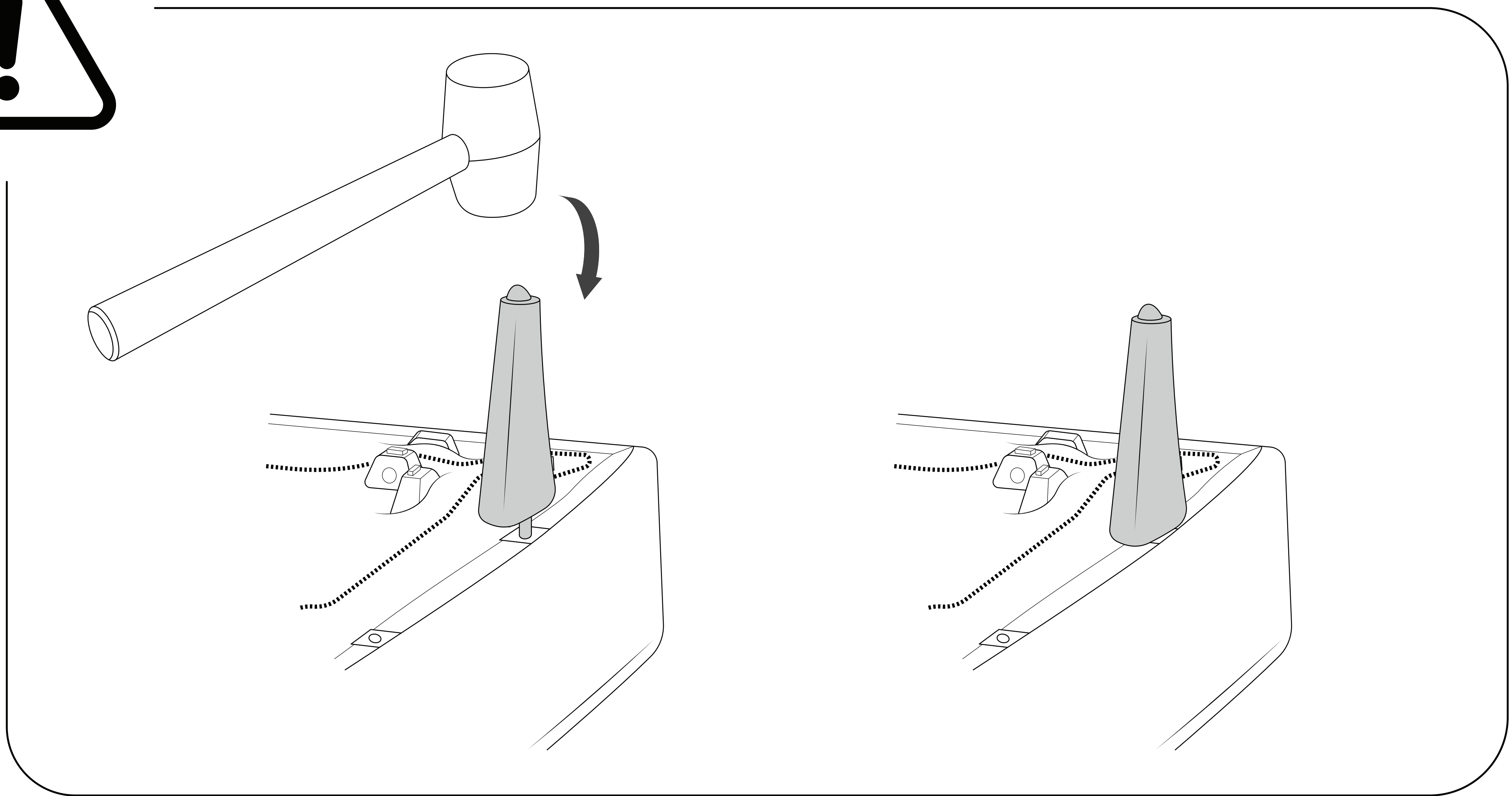
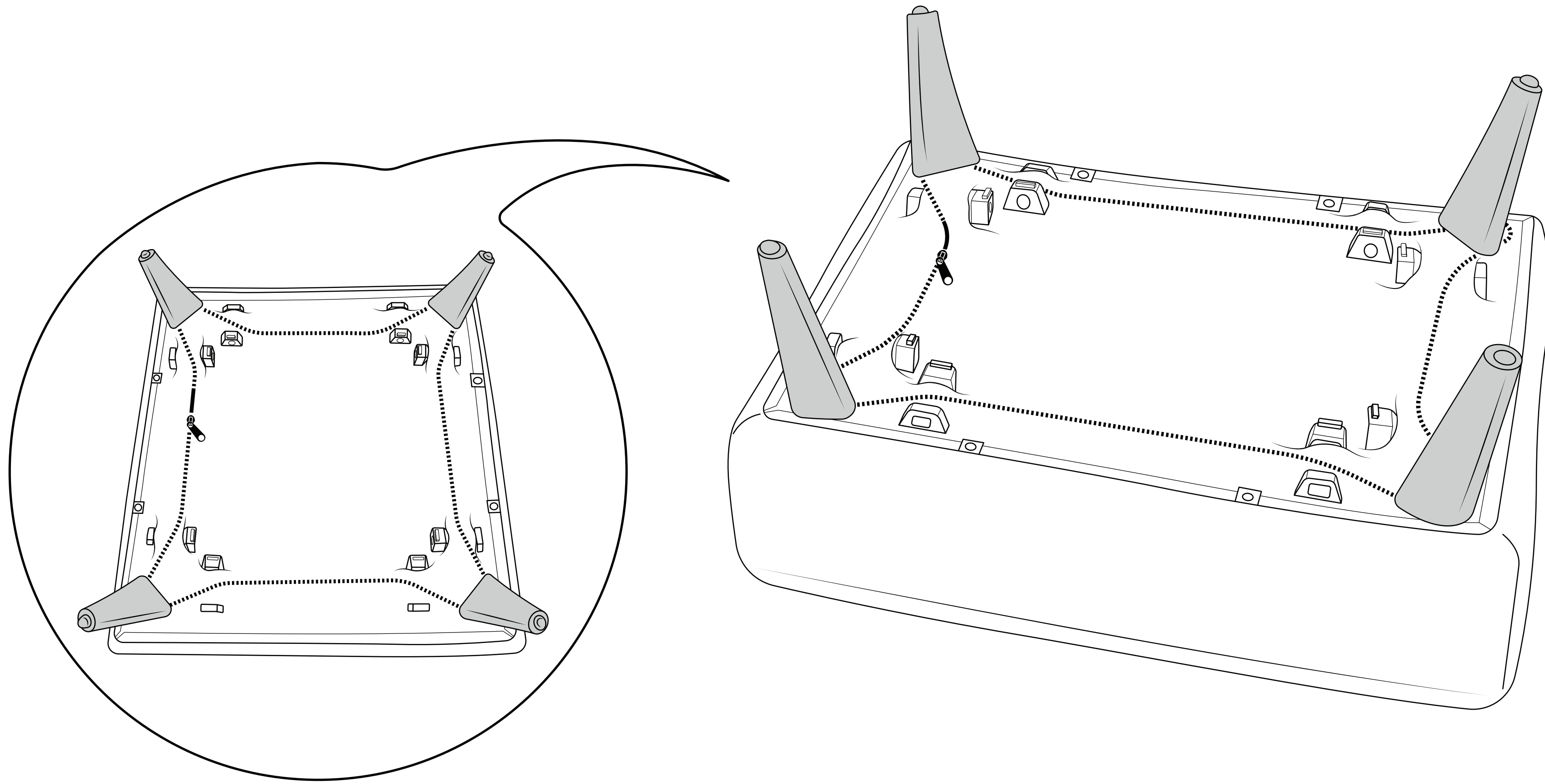
Unzip pocket underneath the seat and remove the legs, felt pads and brackets



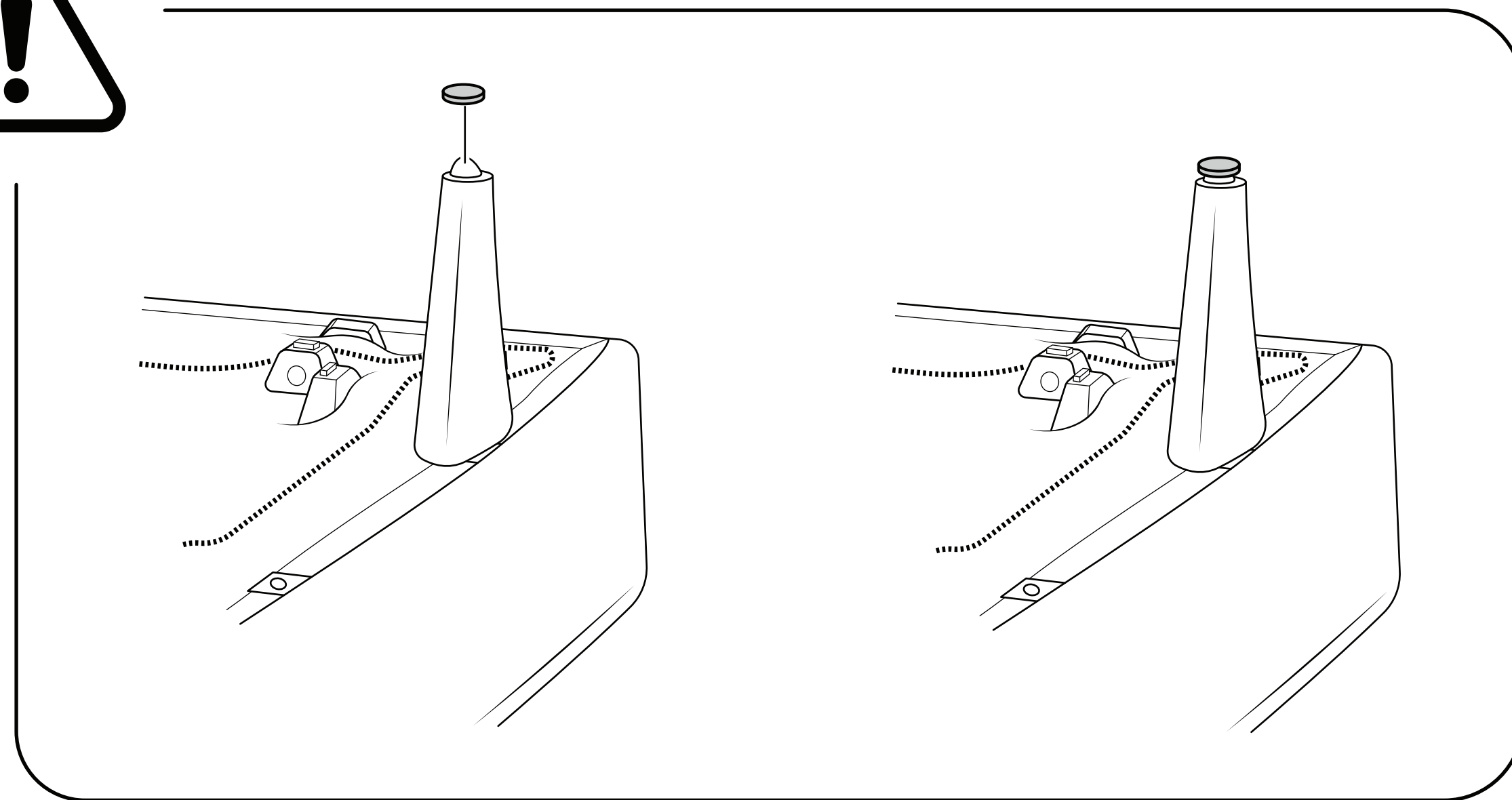
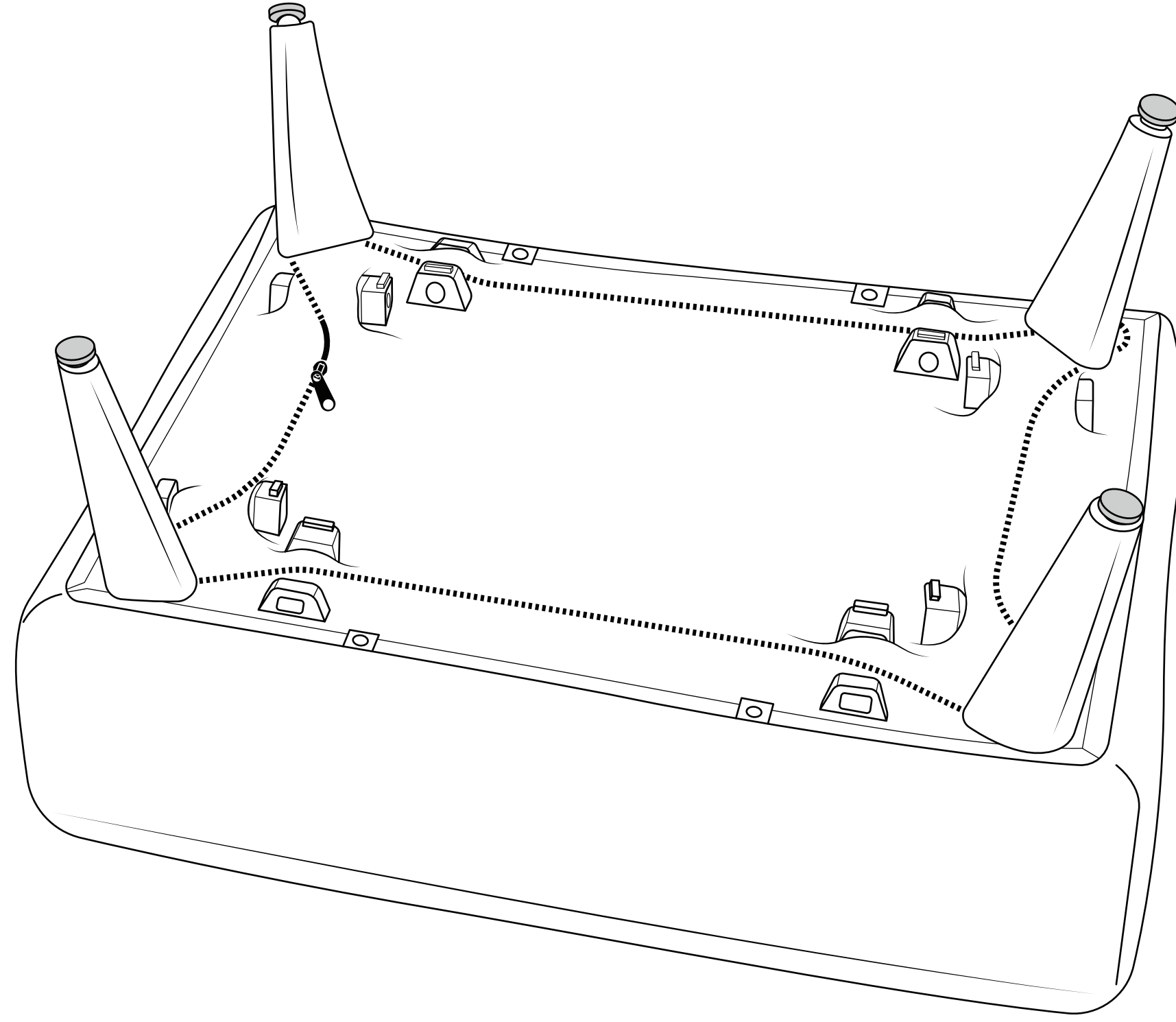
3

### Insert legs into seat

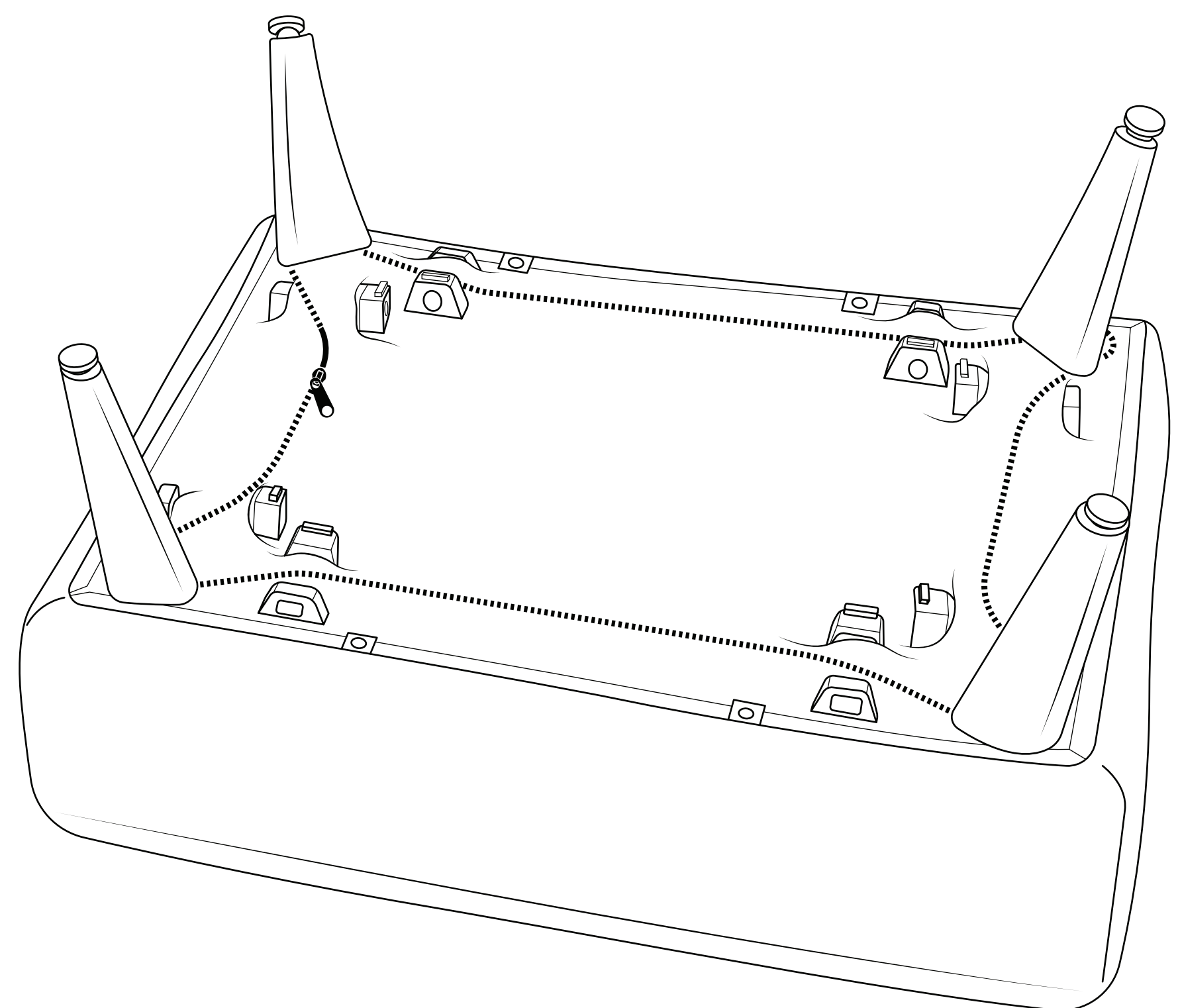
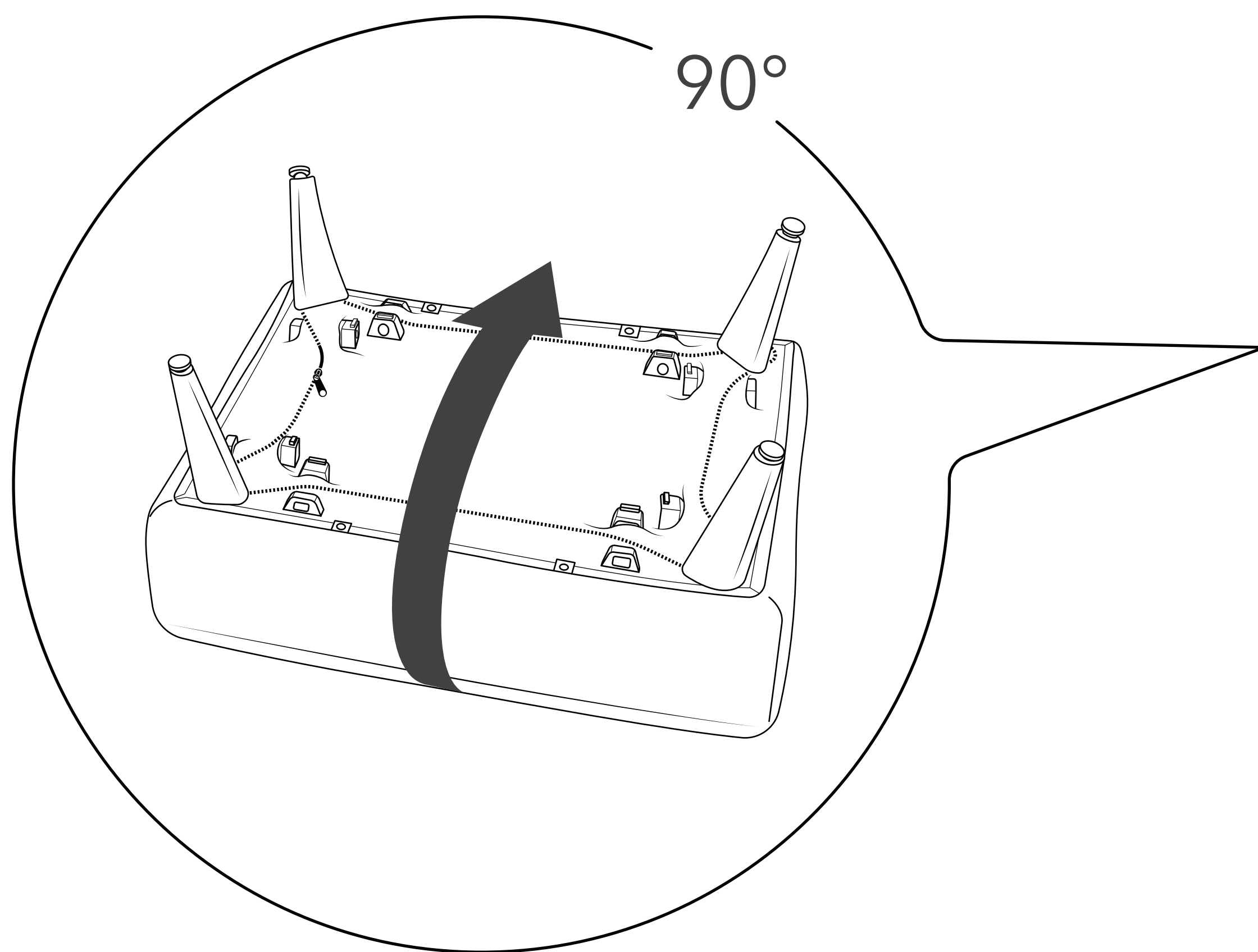
If you're unable to fully insert the legs with your hands, tap with a mallet.



**4** Attach felt pads to the legs



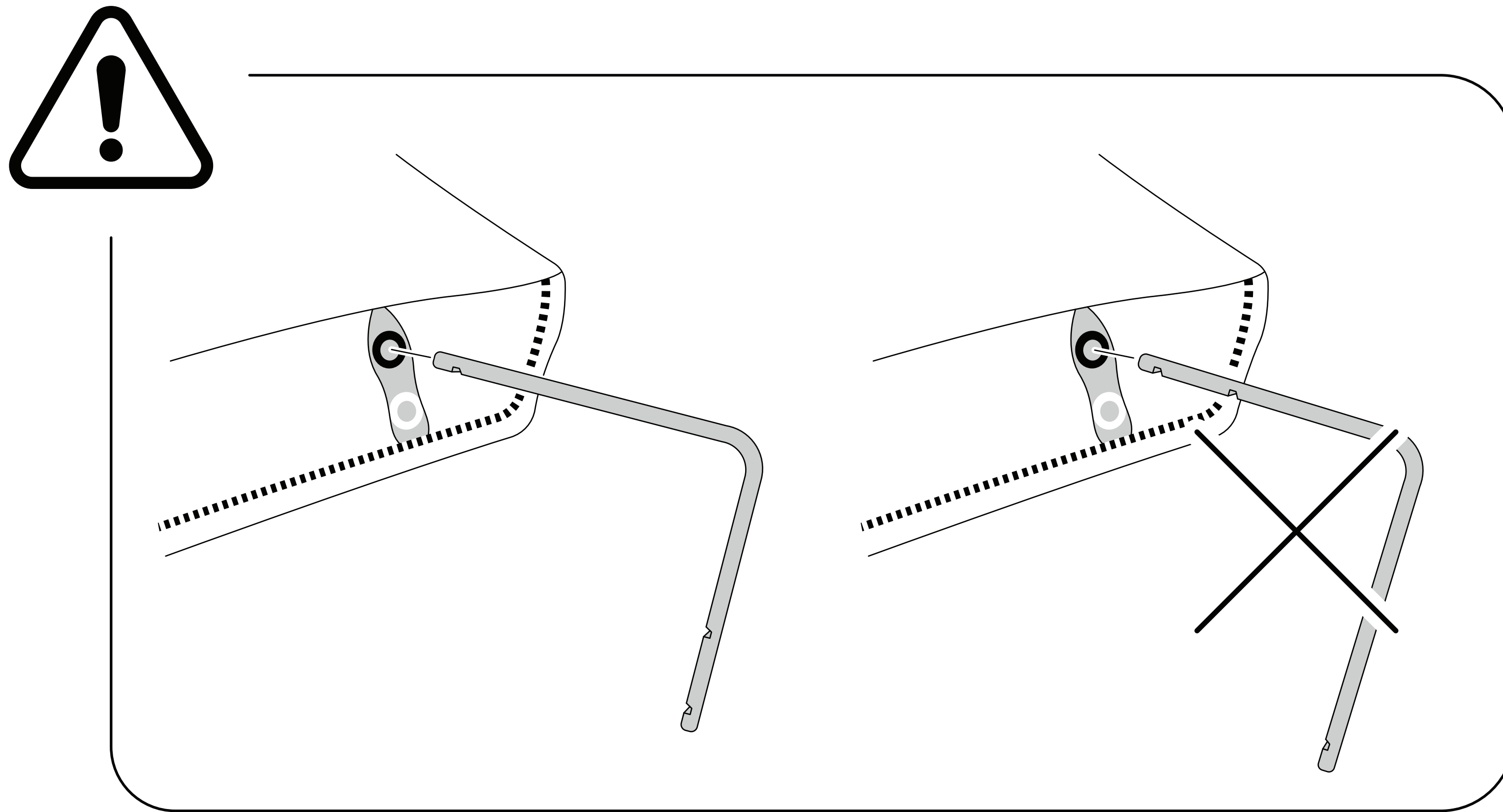
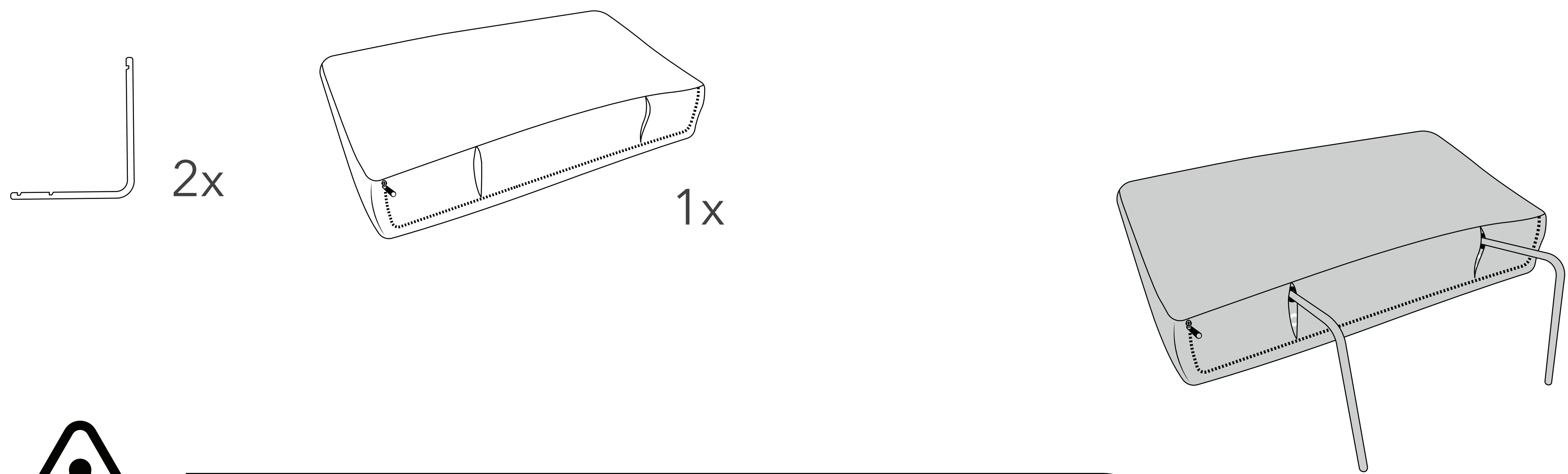
**5** Rotate seat 90°



6

### Insert L brackets into cushion

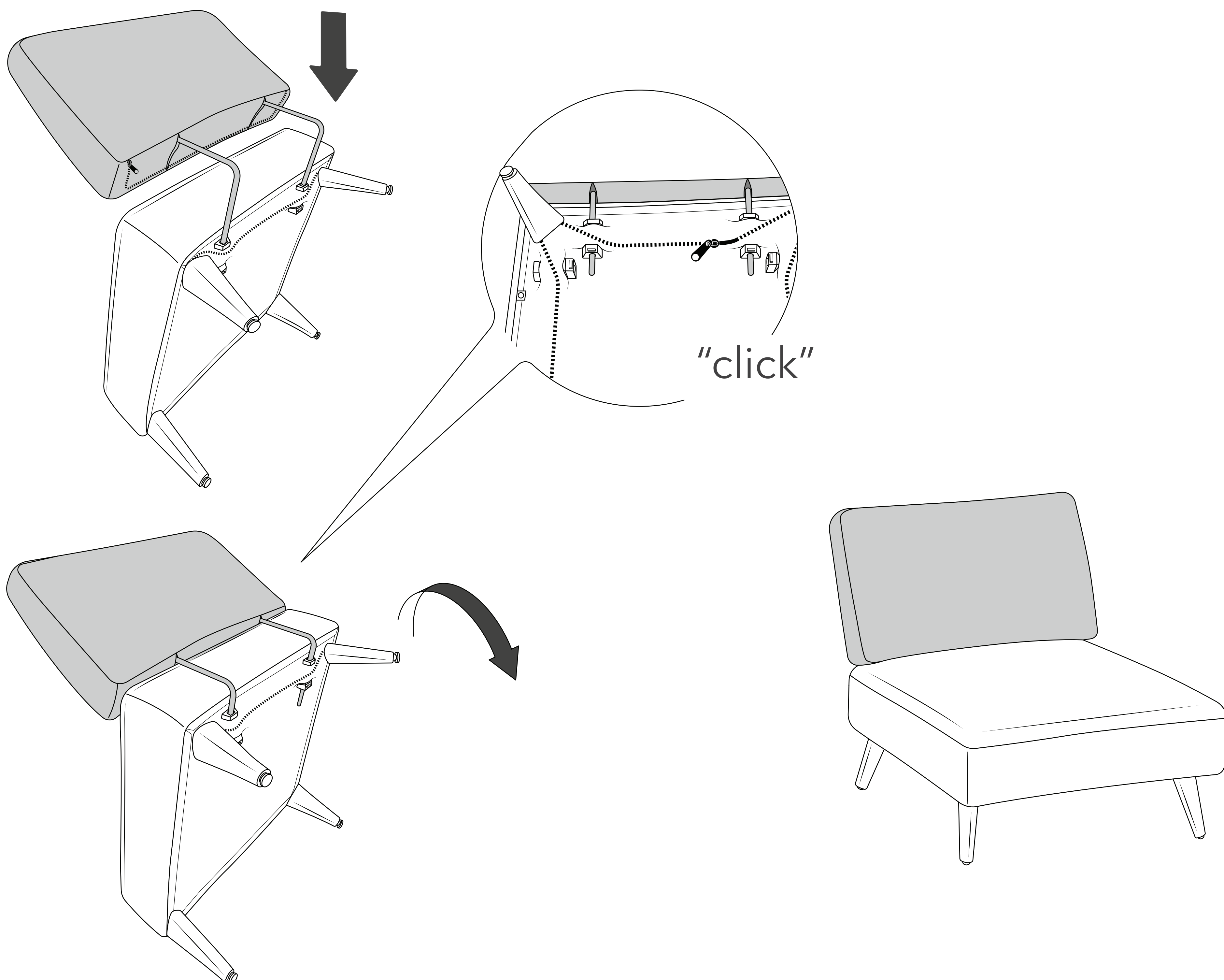
Insert end with one groove into black hole

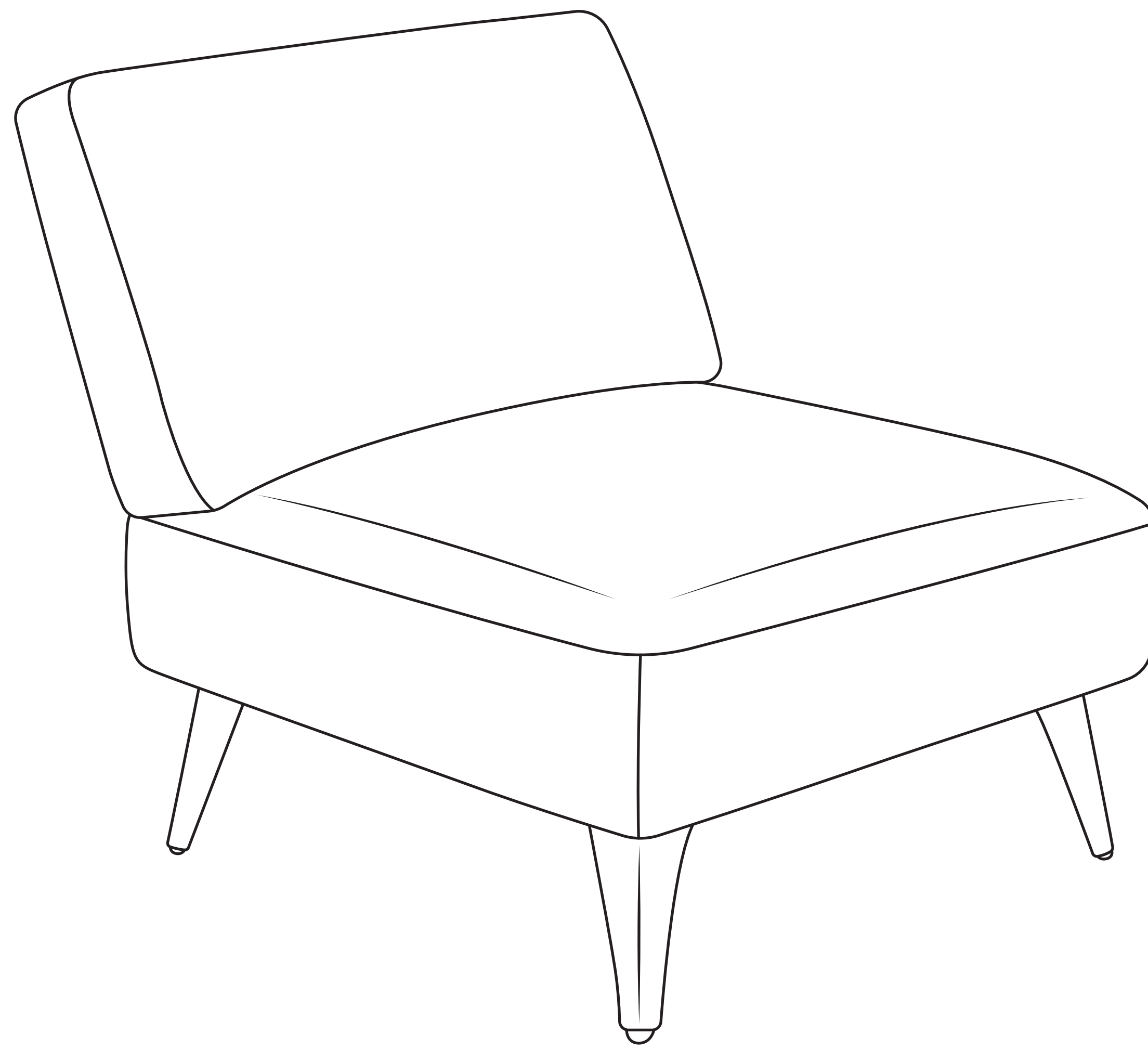


7

### Attach cushion to seat A

Insert brackets into seat. Listen for the clicks.





We're here to help

For help and support contact us live on chat or email us at [support@wattleliving.com](mailto:support@wattleliving.com)