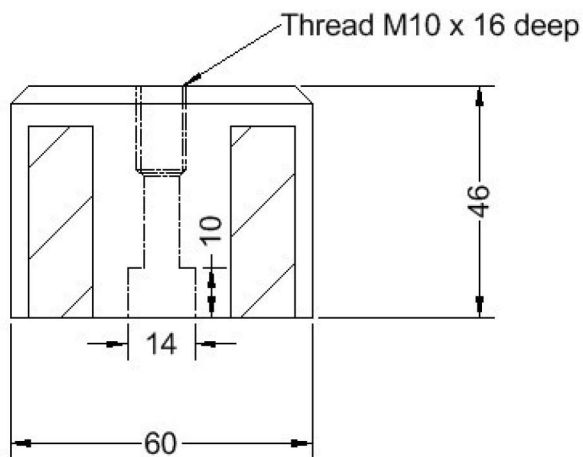
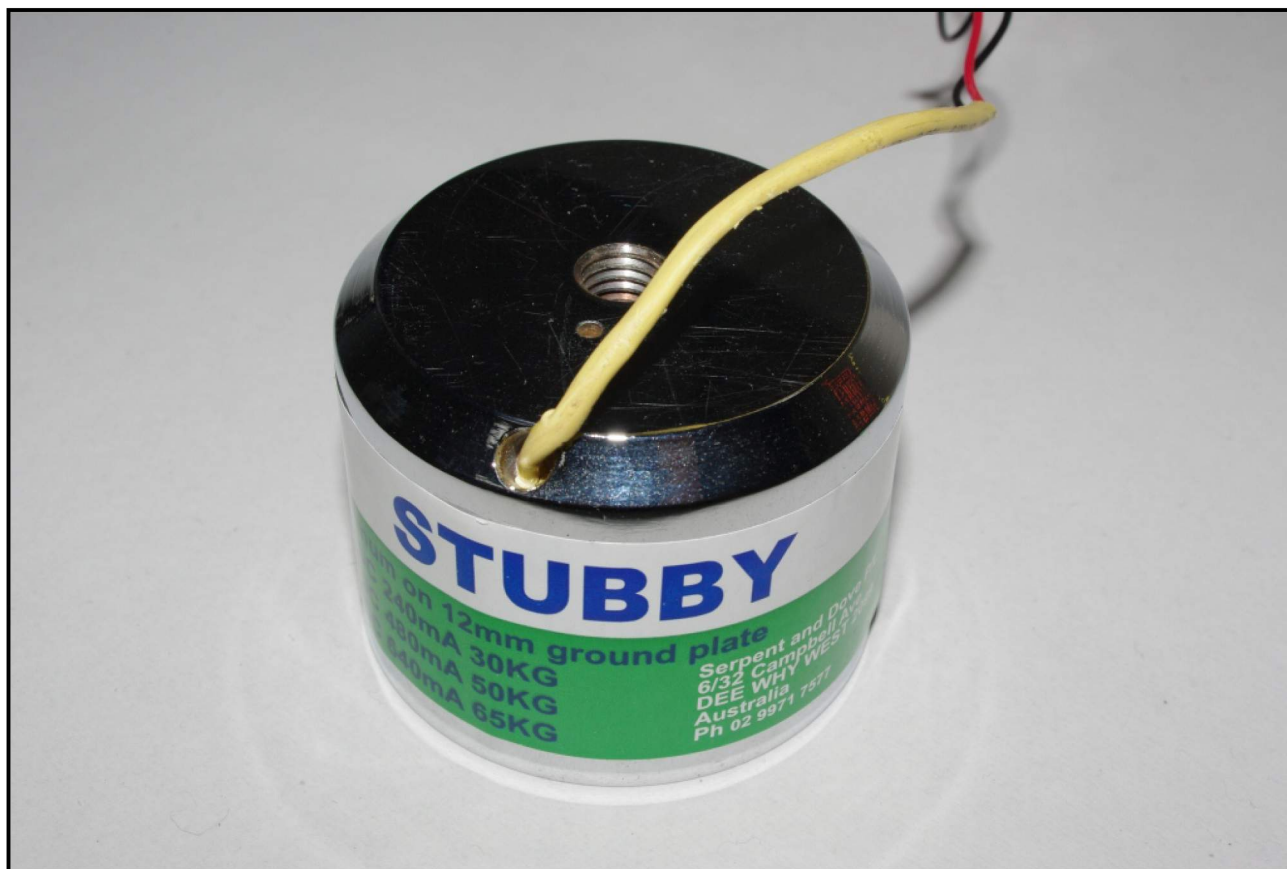


AMF MAGNETICS

STUBBY ELECTROMAGNET



Rated Voltage	24Vdc – 100% duty cycle; 36Vdc 50% duty cycle
Current	450mA @ 24Vdc
Holding force	65kg on flat, clean mild steel plate