

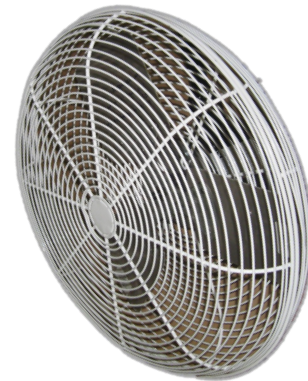
**Model #:** 12HAFO, 20HAFO, 20R4WV

**Description:** Circulation fan, white, OSHA guarded



**Features:**

- Wired with 9ft cord, 115v molded plug
- Guards white powder coated
- Motors
  - TEAO(IP55 rating)
  - Permanently sealed ball bearings
  - Permanent split capacitor
  - Class B insulation
  - Automatic thermal overload protection
  - UL recognized in US & Canada
- 10" hanging mount included

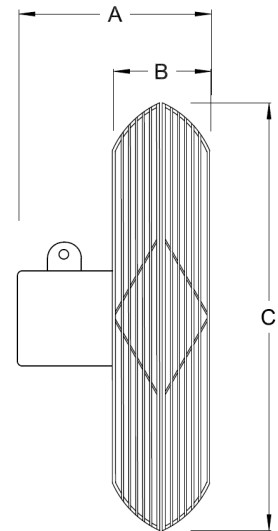


**Performance/Specs:**

Model #	Blade Dia.	HP	Spd	CFM	RPM	Volts	Amps	Ph	Hz	Shaft Dia.	Decibels @ 7ft
12HAFO	12"	1/10	Var.	1030	1700	115/230	1.0/.5	1	60	1/2	59
20HAFO	20"	1/10	Var.	1695	1700	115/230	1.0/.5	1	60	1/2	58
20R4WV	20"	1/3	Var.	4300	1700	115/230	3.5/1.7	1	60	1/2	64

**Dimensions/Shipping Info:**

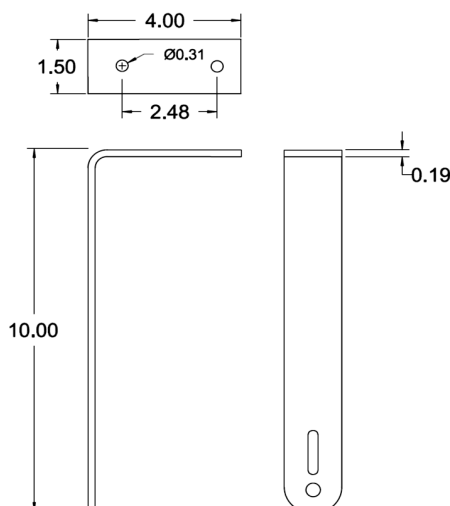
Model #	Boxed Dims	Boxed Weight	Pallet Qty's	Pallet Dims	Pallet Weight	Dim A	Dim B	Dim C
12HAFO	16.5x17.5x12.5	18	63	48x52x91	1170	10.5	5	14
20HAFO	24.5x23x12.5	27	28	48x48x99	746	10.5	5	22
20R4WV	24.5x23x12.5	34	28	48x48x99	953	10.5	5	22



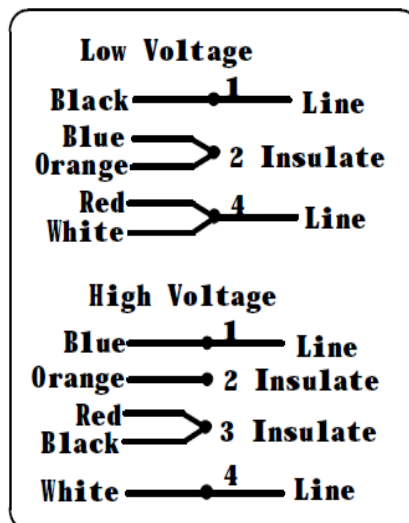
**Replacement Parts:**

Model #	Motor	Prop	Front Guard	Back Guard	Mount
12HAFO	B075-4CE	9001469	G12FGO-W	G12BGO-W	MTC10
20HAFO	B075-4CE	9001484	G20FGO-W	G20BGO-W	MTC10
20R4WV	B250-4CE	9001483	G20FGO-W	G20BGO-W	MTC10

**Mount Detail:**



**B075-4CE Wiring Diagram:**



**B250-4CE Wiring Diagram:**

