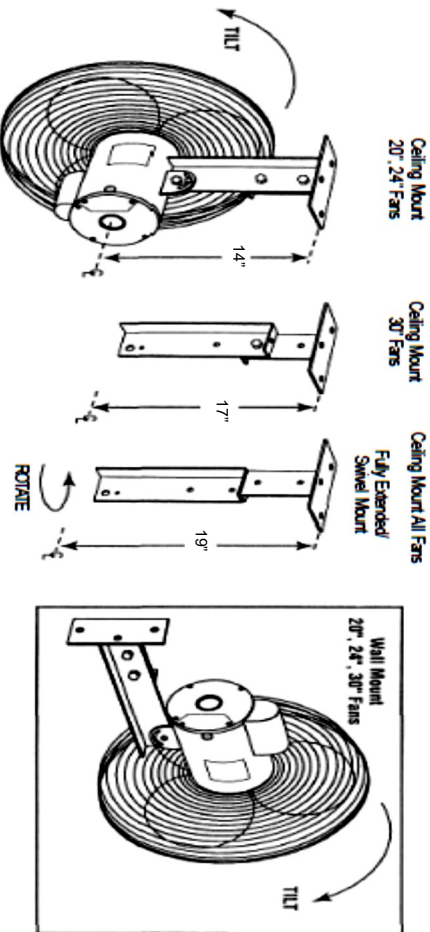


# Circulating Fans

## Installation Instructions

Fan Installation as follows:

1. Choose your fan location so there is a minimum of five feet of unrestricted air flow to the back side of the fan.
2. Once the location of the circulation fan has been established you must provide a sufficient mounting surface. (Bottom of rafter, I-Beam, floor joist, etc)
3. The fan is now ready for installation. Secure fan bracket to mounting surface. (Hardware not included)  
Note Orientation of bracket to allow tilting of fan.
4. Secure fan to bracket with hardware provided.
5. **IMPORTANT** Pull the drain plug on the shaft end of the motor's lower side to allow condensation to drain.
6. We recommend a switch be mounted by each fan at the time of installation by a licensed electrician. This makes it convenient for service and safety. Always fuse the electrical line supply voltage to fan and use a licensed electrician at all times.
7. Before turning fan on check blade tightness and blade clearance.



## Maintenance Instructions

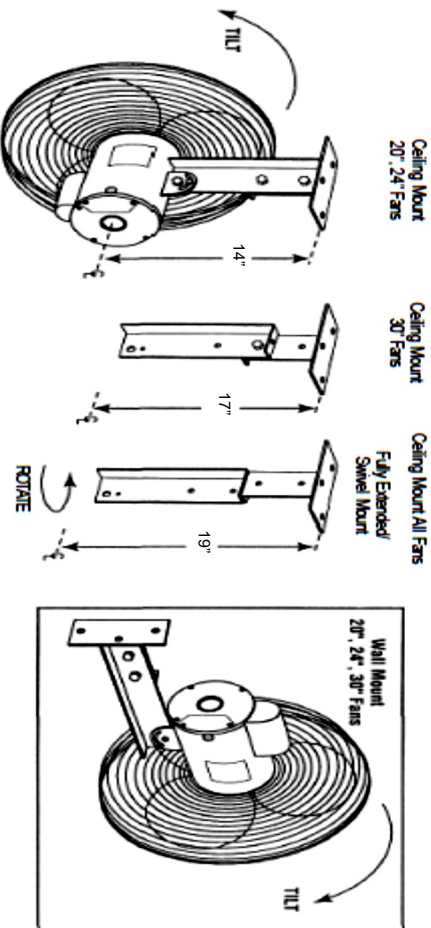
For maximum efficiency keep blades and fan guard free of dust or dirt build up. The motor is a totally enclose air over so it should also be cleaned when dust or dirt has collected. The motor is a sealed ball bearing and does not require any oil. Keeping your fan clean insures many years of trouble free operation at maximum efficiency.

# Circulating Fans

## Installation Instructions

Fan Installation as follows:

1. Choose your fan location so there is a minimum of five feet of unrestricted air flow to the back side of the fan.
2. Once the location of the circulation fan has been established you must provide a sufficient mounting surface. (Bottom of rafter, I-Beam, floor joist, etc)
3. The fan is now ready for installation. Secure fan bracket to mounting surface. (Hardware not included)  
Note Orientation of bracket to allow tilting of fan.
4. Secure fan to bracket with hardware provided.
5. **IMPORTANT** Pull the drain plug on the shaft end of the motor's lower side to allow condensation to drain.
6. We recommend a switch be mounted by each fan at the time of installation by a licensed electrician. This makes it convenient for service and safety. Always fuse the electrical line supply voltage to fan and use a licensed electrician at all times.
7. Before turning fan on check blade tightness and blade clearance.



## Maintenance Instructions

For maximum efficiency keep blades and fan guard free of dust or dirt build up. The motor is a totally enclose air over so it should also be cleaned when dust or dirt has collected. The motor is a sealed ball bearing and does not require any oil. Keeping your fan clean insures many years of trouble free operation at maximum efficiency.