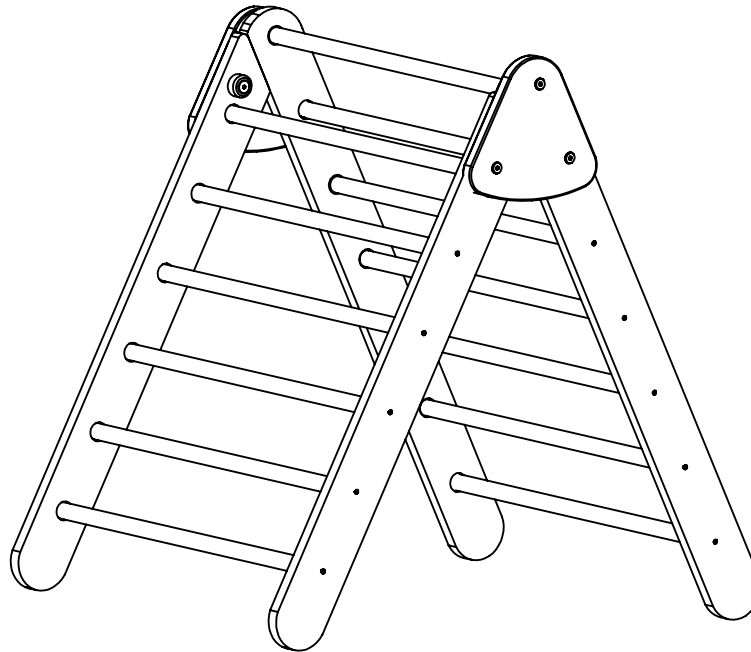


ASSEMBLY INSTRUCTIONS WIWIURKA CLIMBING TRIANGLE



WARNING

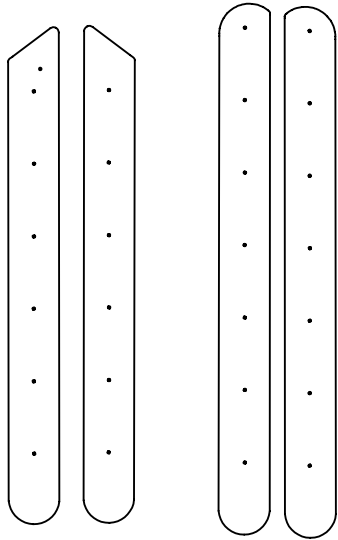
CHILDREN MUST NOT USE THE EQUIPMENT UNTIL PROPERLY INSTALLED.
REMOVE ALL PACKAGING BEFORE GIVING TO YOUR CHILDREN.
THIS PRODUCT IS INTENDED FOR USE BY CHILDREN FROM 9 MONTHS TO 4 YEARS.
FOR INDOOR USE ONLY / MAXIMUM WEIGHT 40 KG.
*CHILDREN MUST BE UNDER THE SUPERVISION OF AN ADULT.

WARNING



RISK OF FALLING
DO NOT USE WITHOUT ADULT SUPERVISION.

PLEASE MAKE SURE YOU HAVE THE FOLLOWING PIECES:



4 Long wooden pieces
(Side pieces)

1 Locking Bolt



1 Allen key



13 RODS:

NOTE:

10 pieces have perforations for assembly.

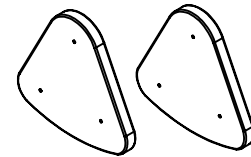
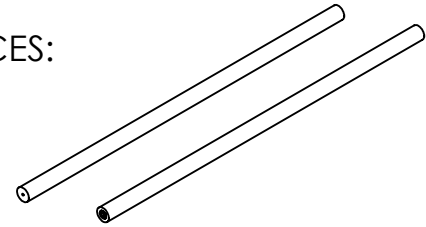
3 pieces carry embedded hex screws.
These rods go at the top.

2 Triangular Plates:

23 Screws 

6 Assembly Screws 

You will need an electric or manual screwdriver 



THE TOY MUST BE
ASSEMBLED BY AN
ADULT BEFORE USE.



CHOKING
HAZARD

SMALL PARTS.
KEEP AWAY FROM
CHILDREN AND
PETS.



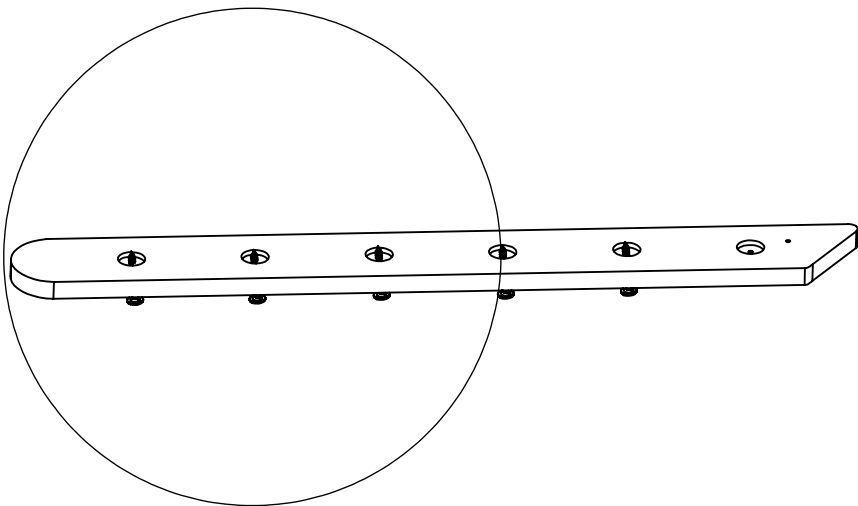
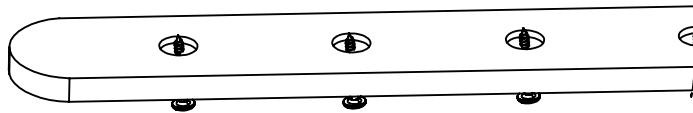
WARNING

Remove bags and plastic films to avoid danger of suffocation.
Dispose of all wrapping material immediately. Keep small
parts out of reach of children.

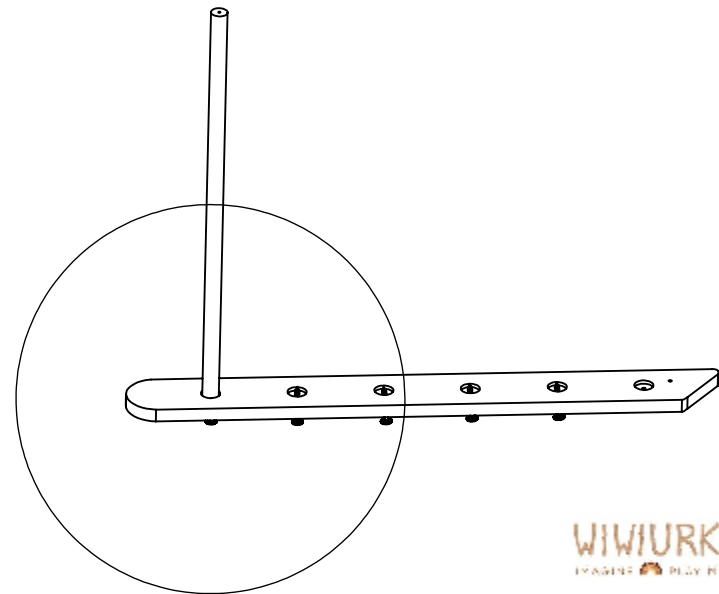
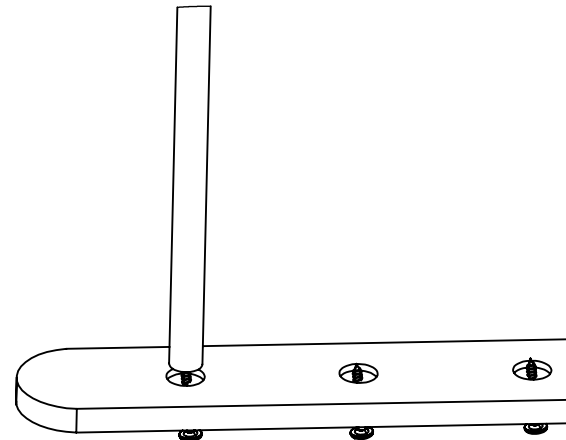
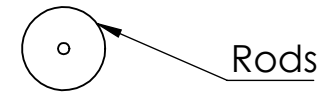
WIIURKA
IMAGINE PLAY MORE

Start by putting together one side of the triangle. The color sequence will vary according to the color palette.

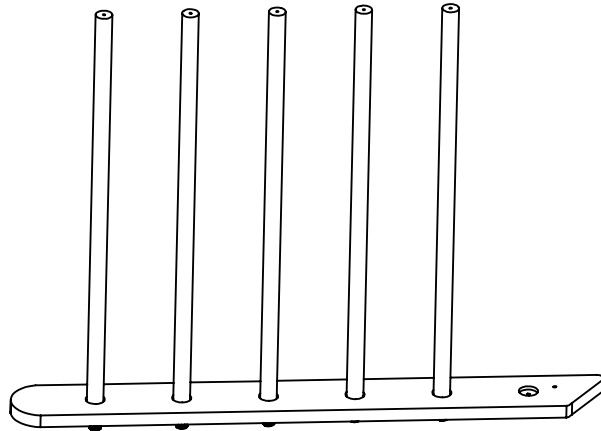
STEP 1:



STEP 2:



STEP 3:

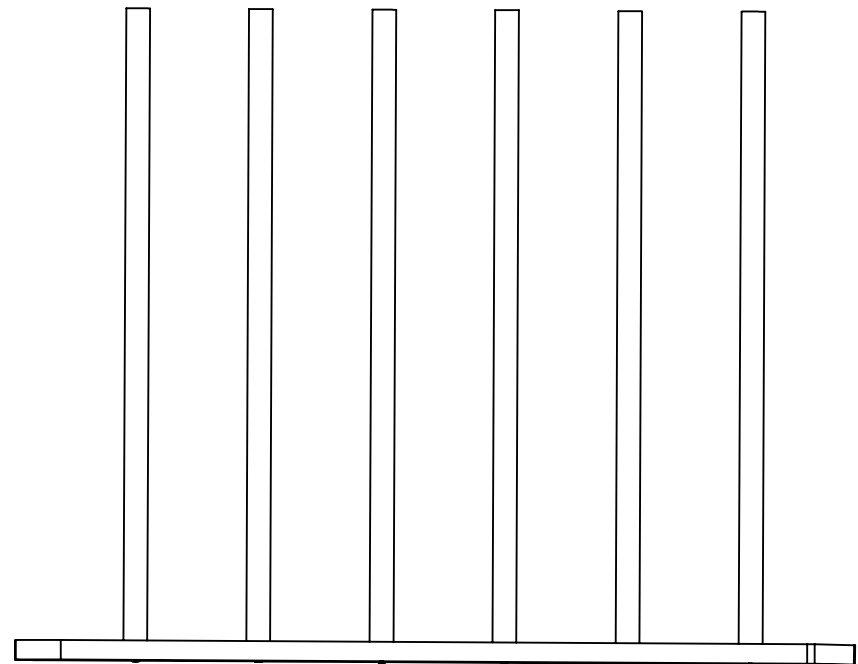
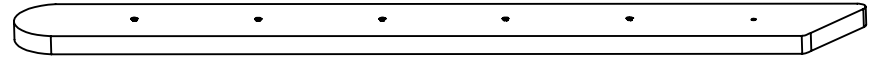


Wooden rods with
embedded connectors



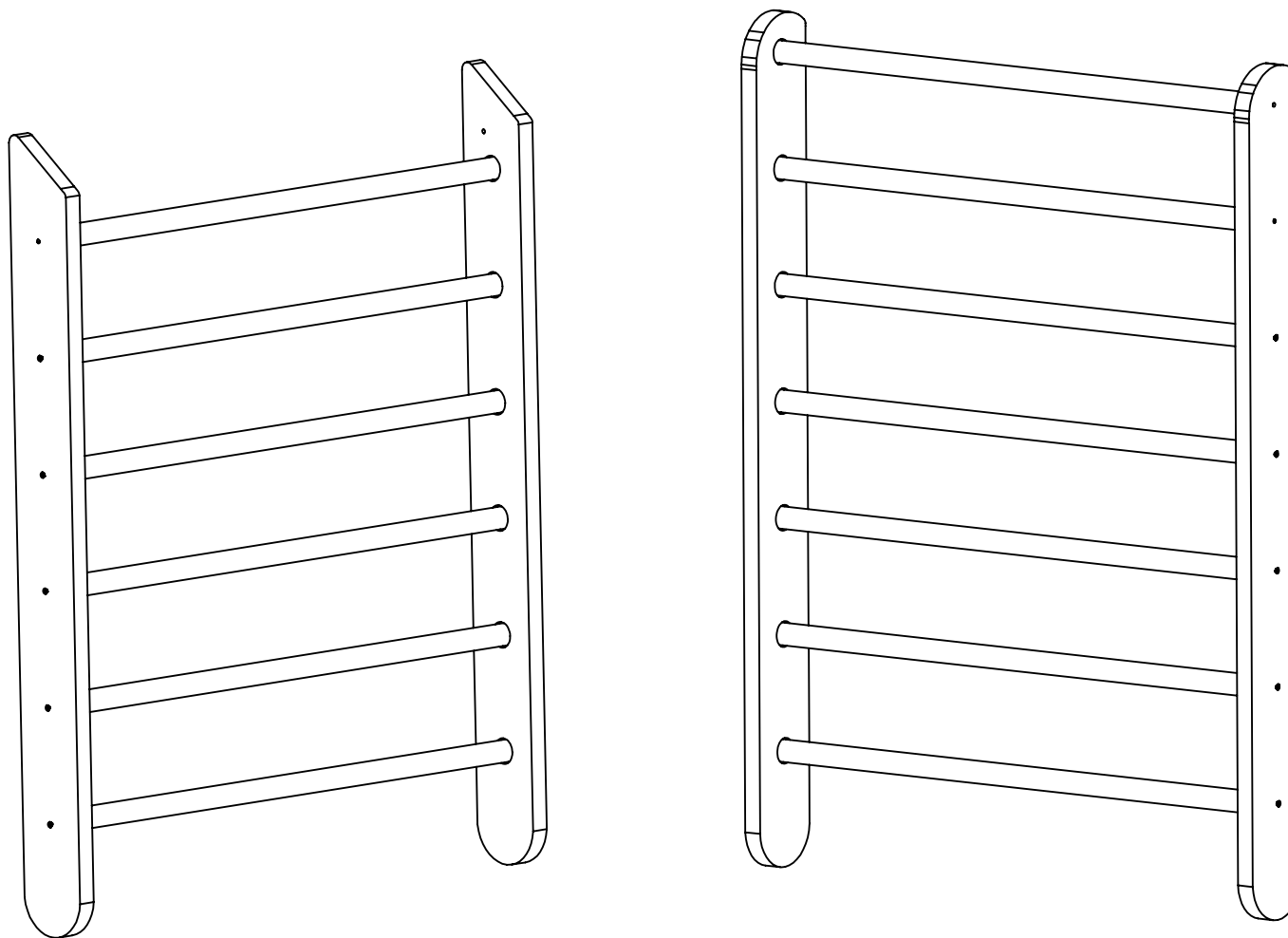
Note: The top rods with embedded connectors for the assembly screws only need to be inserted into their corresponding holes. They will be secured later with assembly screws.

STEP 4:

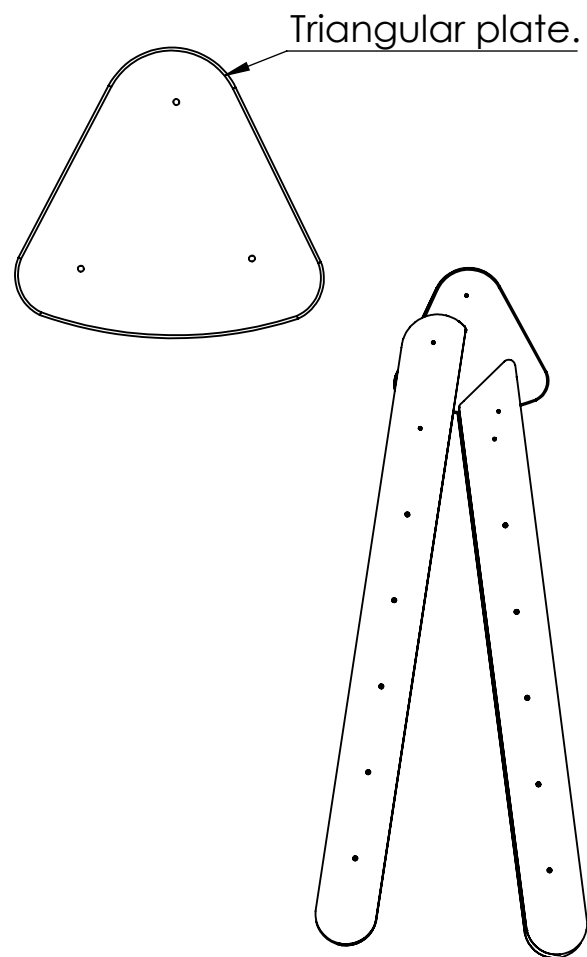


STEP 5:

Repeat the same process for the second ladder.



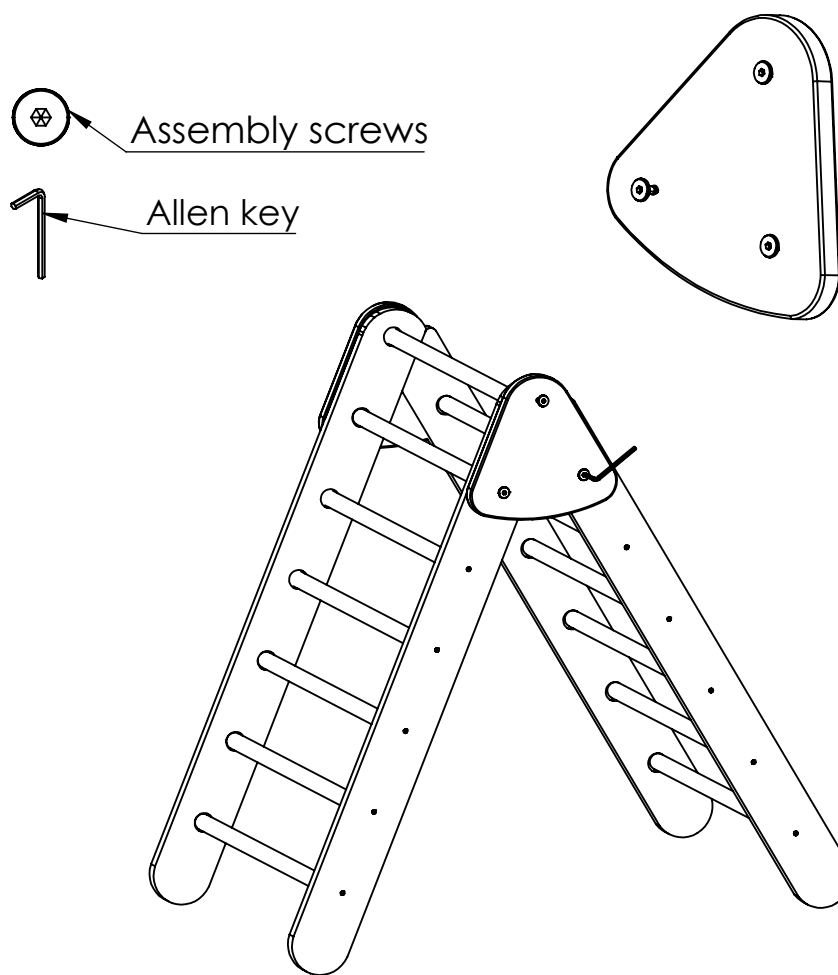
STEP 6:



Dispose the two ladders one in front of each other: the large leg should have the rounded corner facing outwards and the numbers which they were marked with must match.

Locate the triangular plate with the same number to match those legs

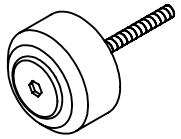
STEP 7:



Once you verify that everything is properly aligned proceed to tighten all screws in full

STEP 8: Finally, lock your triangle to make it ready for use!

*Remember to loosen the locking bolt before folding the triangle.



Locking bolt

