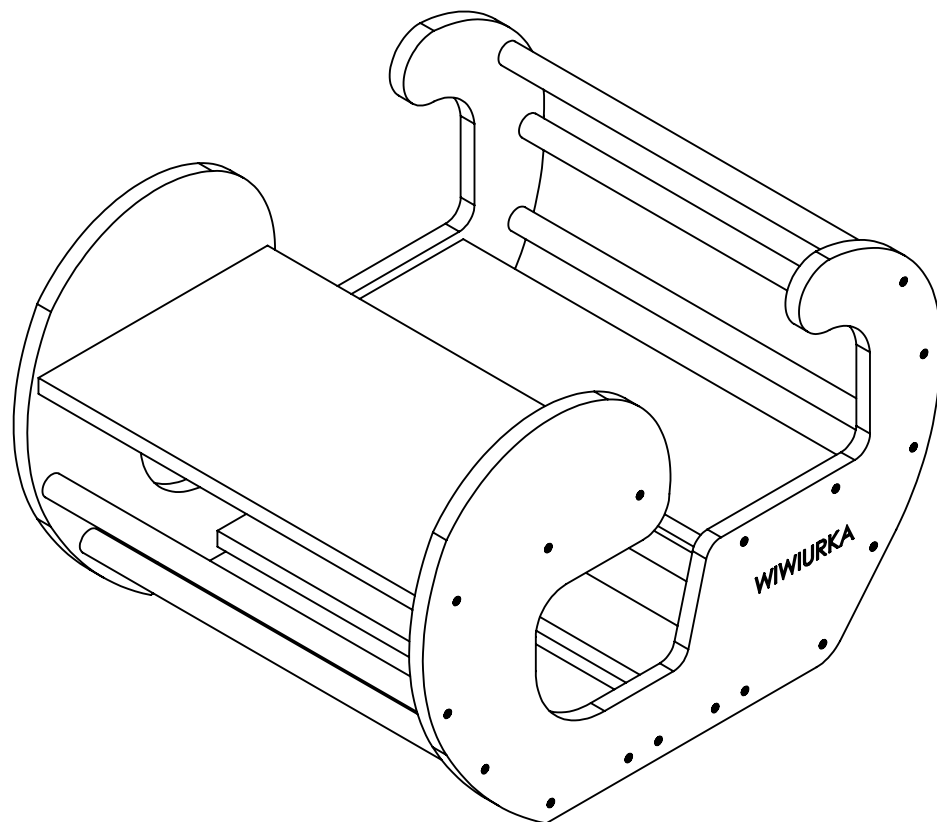


## ASSEMBLY INSTRUCTIONS: BABY TADEUZ



### **WARNING**

- CHILDREN MUST NOT USE THE EQUIPMENT UNTIL PROPERLY INSTALLED.  
REMOVE ALL THE PACKAGING BEFORE GIVING TO YOUR CHILDREN.  
THIS PRODUCT IS INTENDED FOR USE BY CHILDREN FROM AGED 9 MONTHS TO 30 MONTHS.  
FOR INDOOR USE ONLY / MAXIMUM WEIGHT 30 KG.  
\*CHILDREN MUST BE UNDER THE SUPERVISION OF AN ADULT.



**THE TOY MUST  
BE ASSEMBLED  
BY AN ADULT  
BEFORE USE.**



### **CHOKING HAZARD**

**SMALL PARTS.  
KEEP AWAY FROM  
CHILDREN AND  
PETS.**

PLEASE MAKE SURE YOU HAVE THE FOLLOWING PIECES:

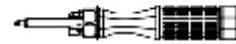
Ironwork:

A)34 pieces of Screws  
(17 pcs for each side)



Tool:

You will need an electric or manual screwdriver



BEFORE STARTING:

- \*IT IS IMPORTANT TO REMOVE ALL PACKAGING MATERIAL BEFORE BEGINNING ASSEMBLY.
- \*ORGANIZING THE PIECES WILL MAKE ASSEMBLY EASIER (LOCATE THE PIECES)

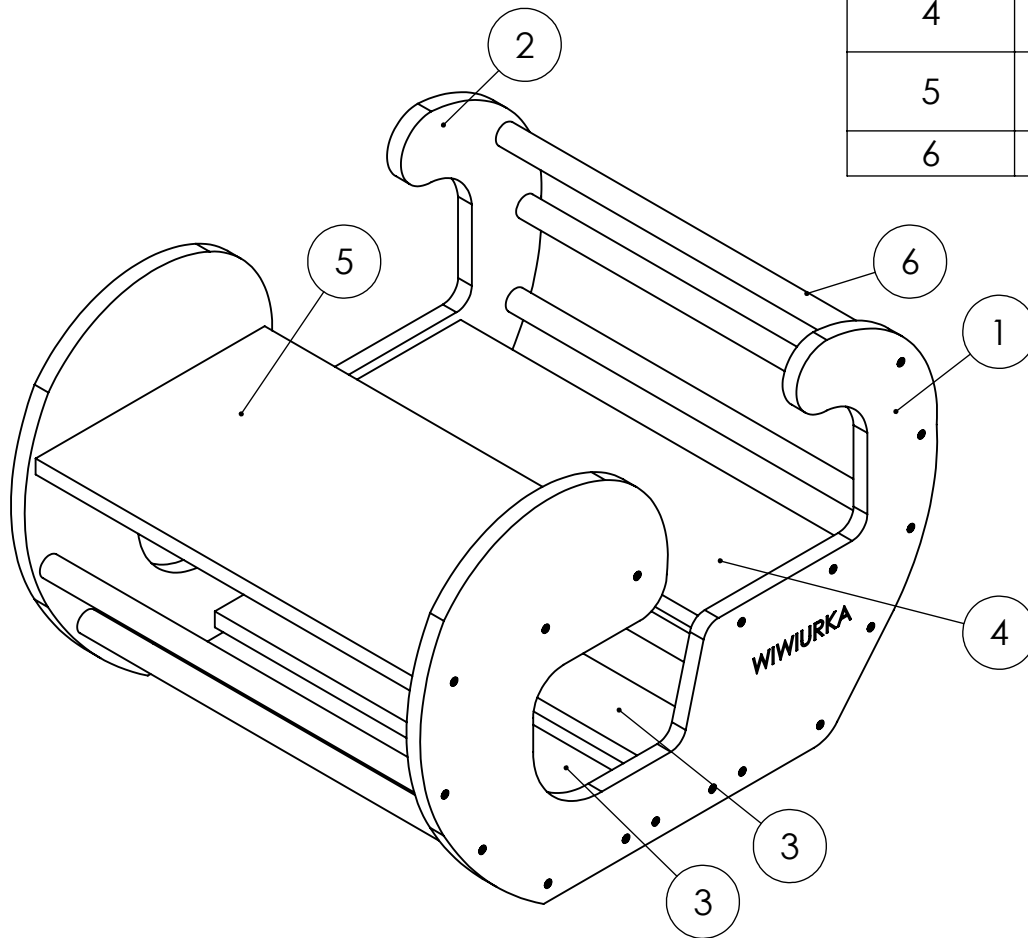


## WARNING

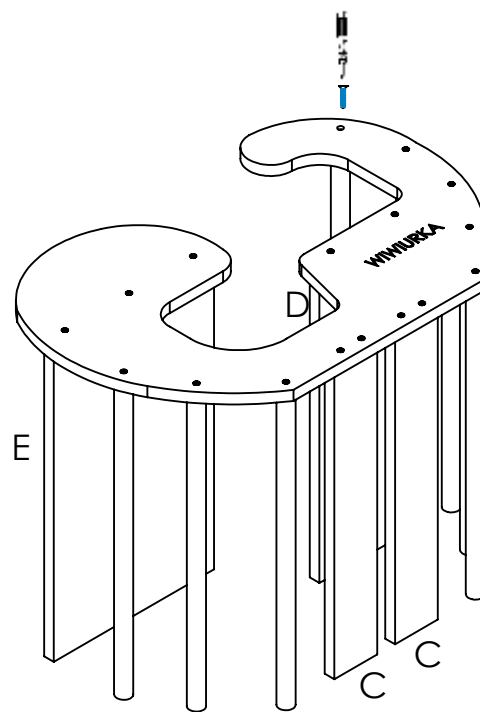
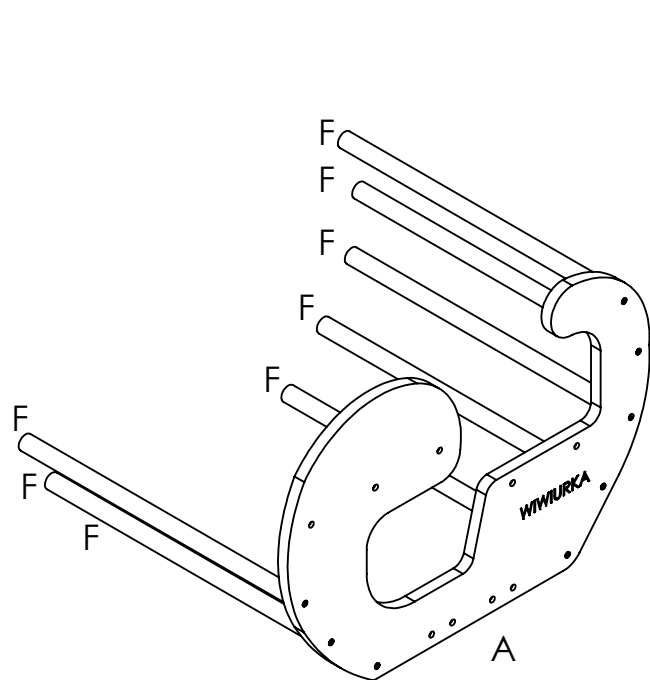
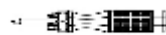
**Remove bags and plastic films to avoid danger of suffocation.  
Dispose of all wrapping material immediately. Keep small  
parts out of reach of children**

KNOW THE PARTS AND LOCATE THEM, FOR EASY ASSEMBLY.

PART	PART NAME	QUANTITY OF PARTS	REFERENCE
1	SIDE A	1	A
2	SIDE B	1	B
3	NARROW SLATS (footrest)	2	C
4	MEDIUM SLAT (seat)	1	D
5	WIDE SLAT (table)	1	E
6	RODS	8	F



STEP 1: YOU NEED 17 SCREWS AND A SCREWDRIVER.

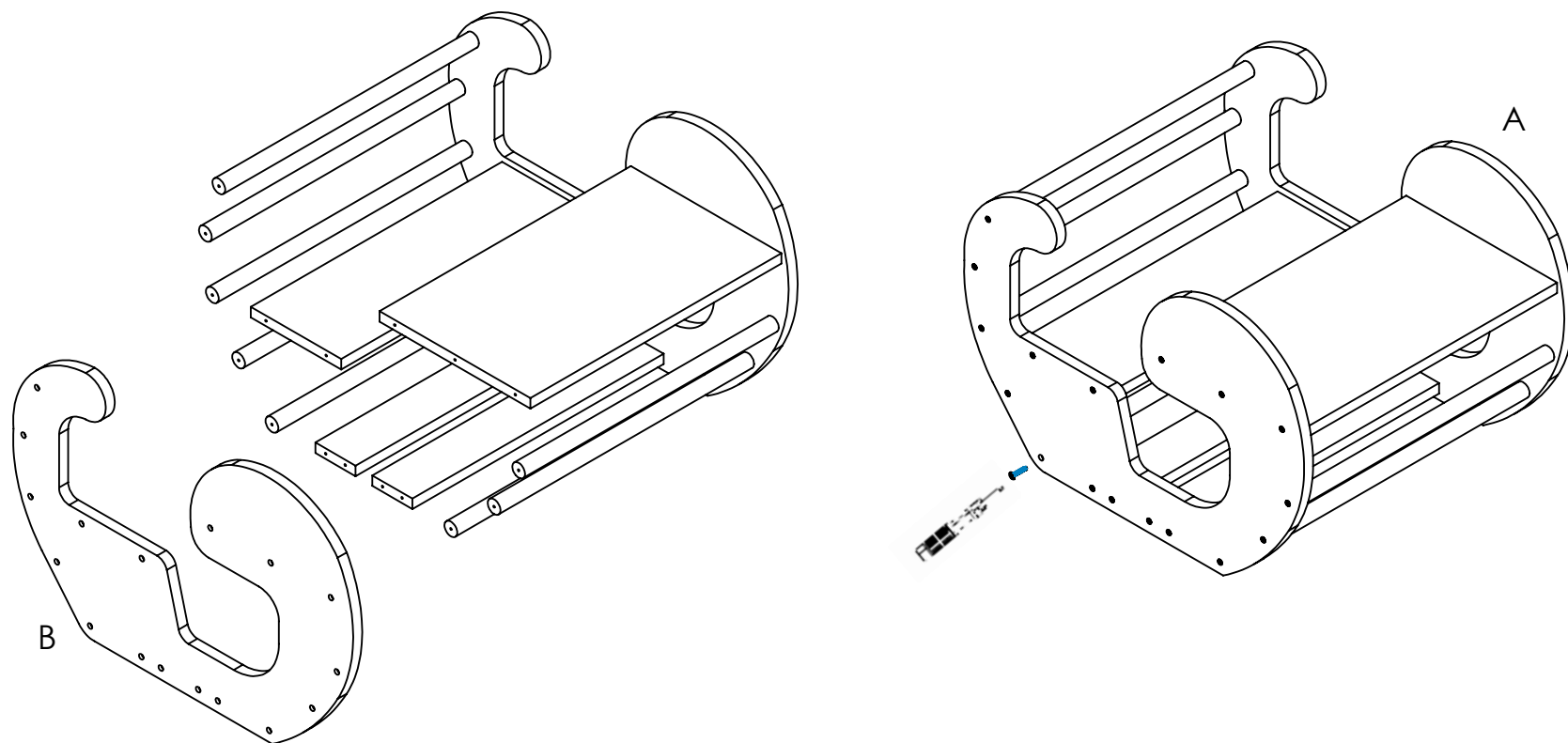
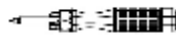


Start by aligning the rods and slats to one sideboard. It's important to align them properly so the screw goes in through the pre-drilled holes, otherwise the wood may become split. Screw in all pieces -only halfway- into this sideboard.

We suggest that you use a toothpick or alike tool to properly align the slats before you start screwing them into the sideboard.

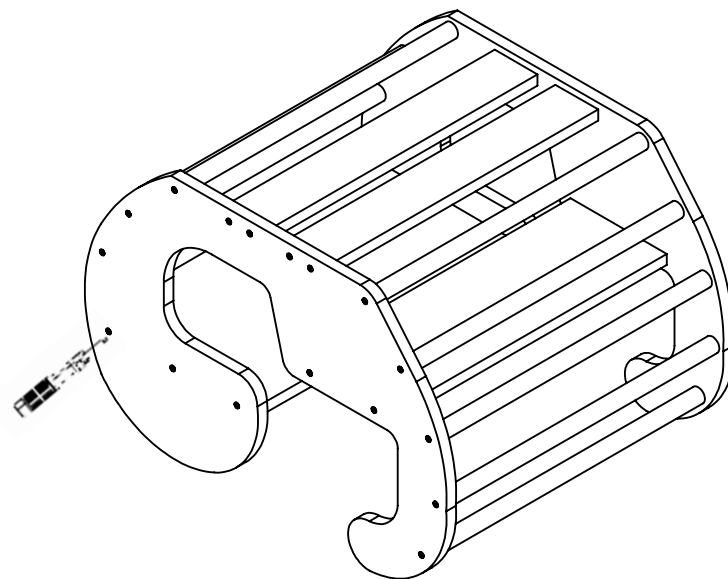
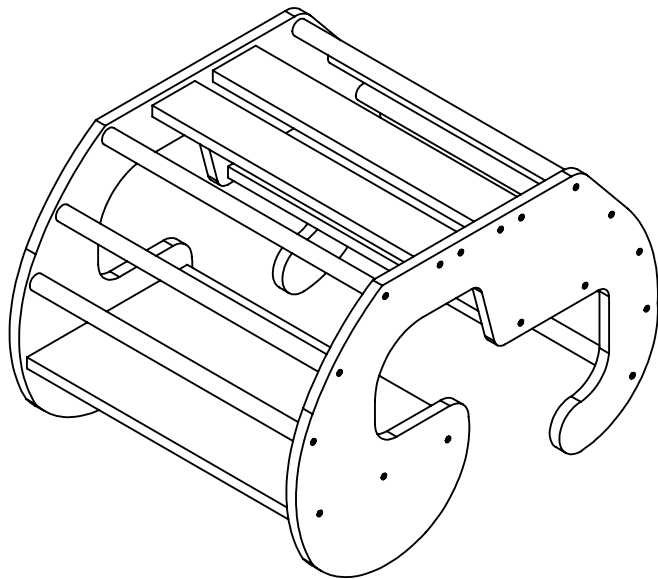
You may sit the pieces on the floor with the sideboard on top, this will make screwing a lot easier.

STEP 2: YOU NEED 17 SCREWS AND A SCREWDRIVER.



When all parts (poles and boards) are screwed into the side A, as shown in the image reference, place side B (can be supporting side A on the ground) aligning each piece very well before starting to screw, as shown in the reference image. Also do not tighten the screws on this step, to leave room and be able to align all the pieces one by one. (Remember to use your toothpick!

STEP 3: YOU ONLY NEED YOUR STRENGTH AND A SCREWDRIVER. 



Once everything has been put together, flip the Baby Tadeuz upside down and apply downwards pressure on all pieces to make sure they're properly aligned and sitting in place. Once you have verified that the Baby Tadeuz is aligned and grounded, tighten all screws.

¡Your Baby Tadeuz is ready to use!

