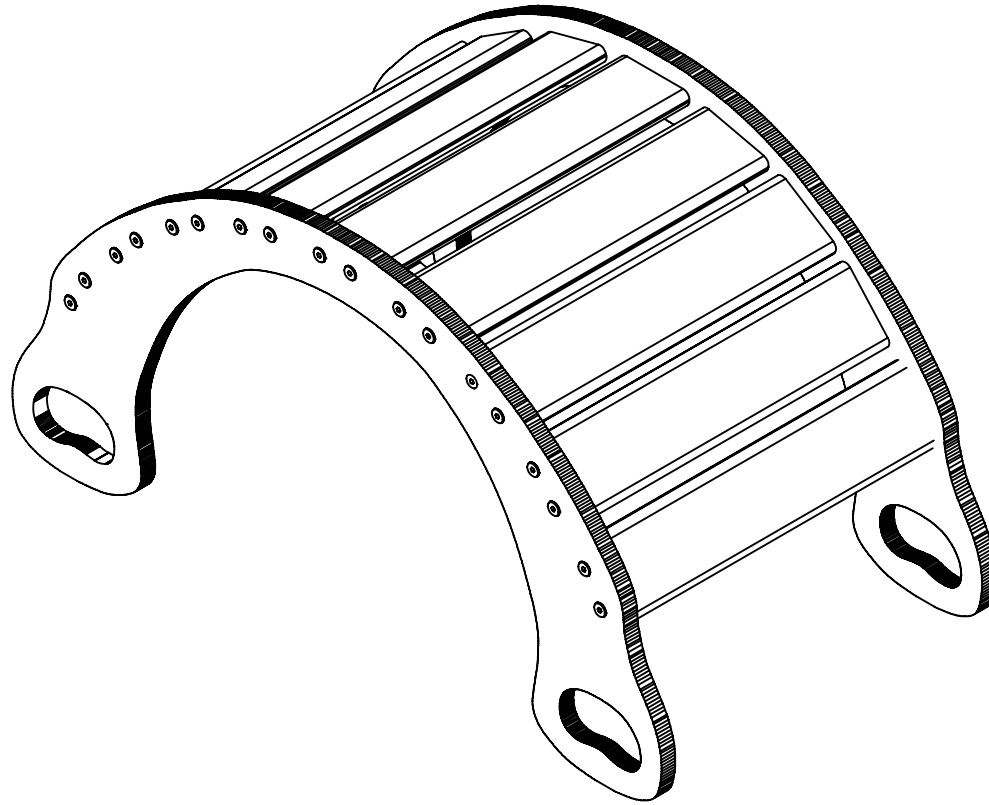


ASSEMBLY INSTRUCTIONS: INDIVIDUAL ROCKING CHAIR



WARNING

- CHILDREN MUST NOT USE THE EQUIPMENT UNTIL PROPERLY INSTALLED.
REMOVE ALL THE PACKAGING BEFORE GIVING TO YOUR CHILDREN.
THIS PRODUCT IS INTENDED FOR USE BY CHILDREN AGED 3 TO 6 YEARS.
FOR INDOOR USE ONLY / MAXIMUM WEIGHT 40 KG.
*CHILDREN MUST BE UNDER THE SUPERVISION OF AN ADULT.



THE TOY MUST
BE ASSEMBLED
BY AN ADULT
BEFORE USE.



CHOKING HAZARD

SMALL PARTS.
KEEP AWAY FROM
CHILDREN AND
PETS.

PLEASE MAKE SURE YOU HAVE THE FOLLOWING PIECES:

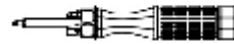
Ironwork:

A) 36 pcs wood screw flat head 4 x 50mm
(18 pcs on each side)



Tool:

You will need an electric or manual screwdriver



BEFORE STARTING:

- *IT IS IMPORTANT TO REMOVE ALL PACKAGING MATERIAL BEFORE BEGINNING ASSEMBLY.
- *ORGANIZING THE PARTS WILL MAKE ASSEMBLY EASIER (LOCATE THE PARTS)
- *LOCATE THE TWO NARROWEST BOARDS, MAKE SURE TO WAIT YOUR TURN.

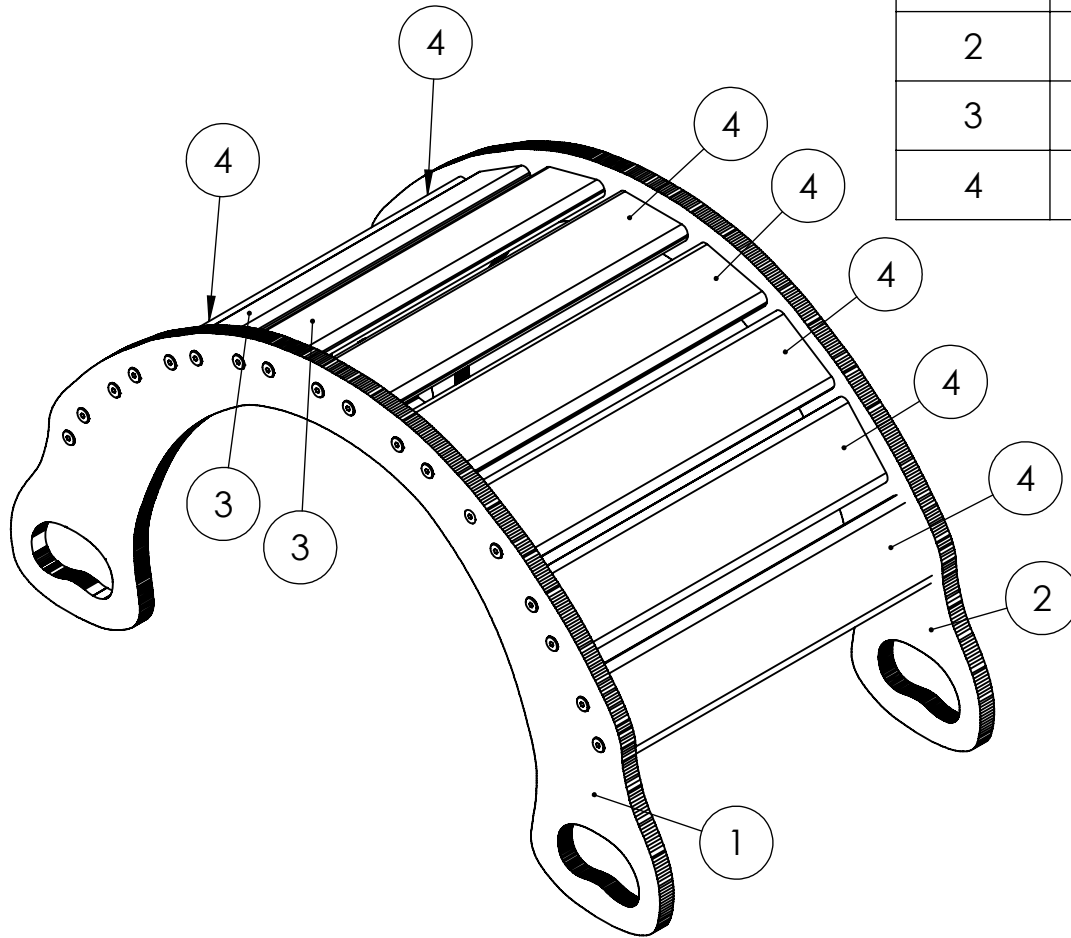


WARNING

**Remove bags and plastic films to avoid danger of suffocation.
Dispose of all wrapping material immediately. Keep small
parts out of reach of children**

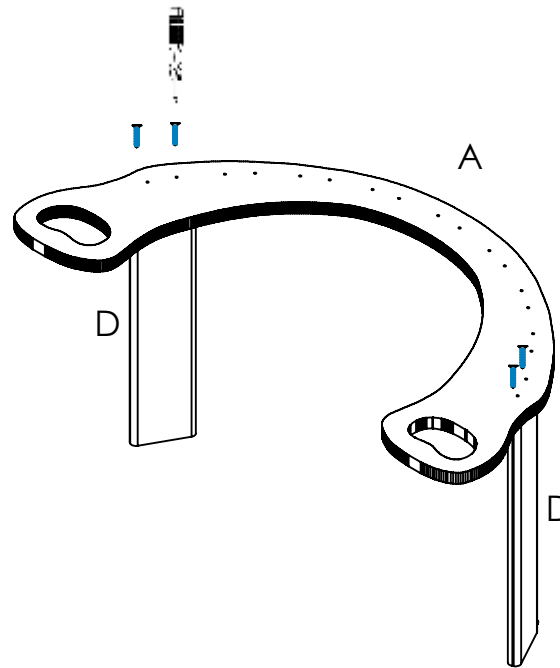
KNOW THE PARTS AND LOCATE THEM, FOR EASY ASSEMBLY.

PART	PART NAME	QUANTIFY OF PARTS	REFERENCE
1	SIDE A	1	A
2	SIDE B	1	B
3	8 CM BOARDS	2	C
4	9 CM BOARDS	7	D



NOTE: THE TWO C-BOARDS (NARROWER ONES) OCCUPY THE THIRD AND FOURTH SPOTS, WHERE THE RAMP FITS.

STEP 1: YOU WILL NEED 4 SCREWS ⊕

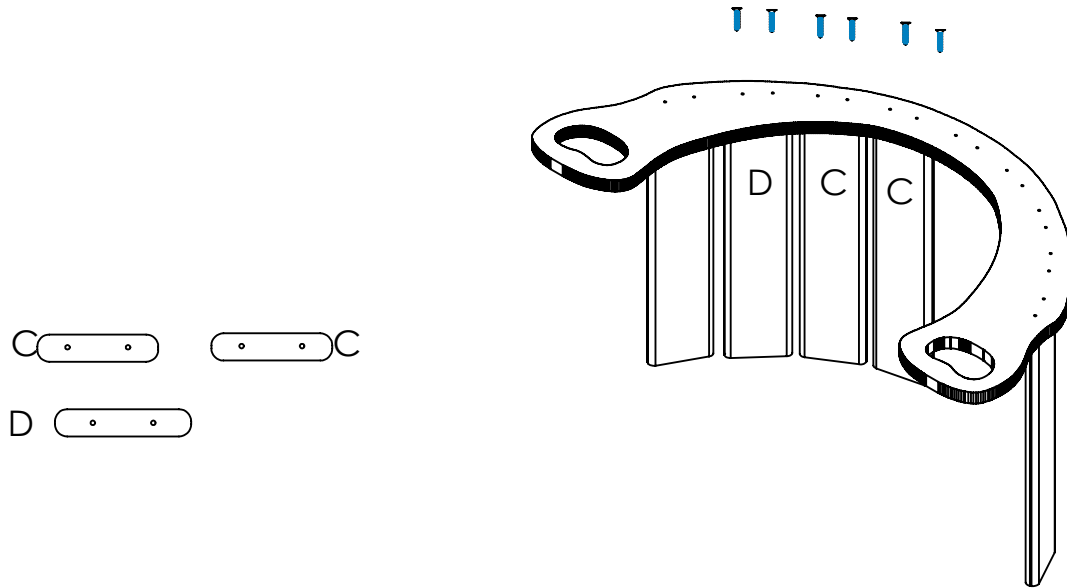


Hello!

To start assembly, take the first D board and place piece A on top of it. You can have someone else hold it for you or hold it in place yourself using another board at the end.

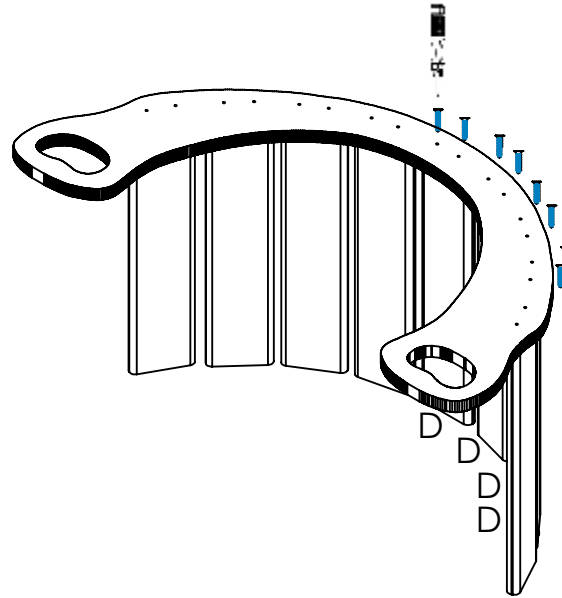
The order of colors follows the color palette. Use a toothpick or drill bit to align the hole of the piece with the board (only if it helps as a guide). Once they are aligned, place the two screws in each board as indicated in the reference image.

STEP 2: YOU WILL NEED 6 SCREWS ⊕



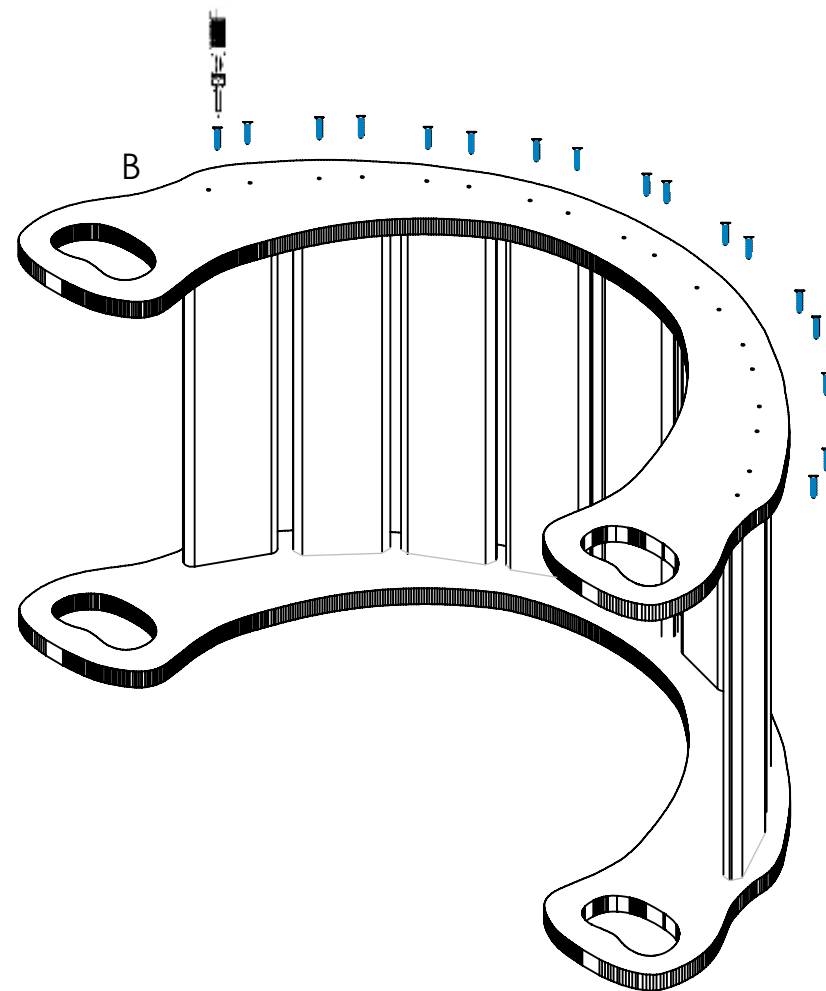
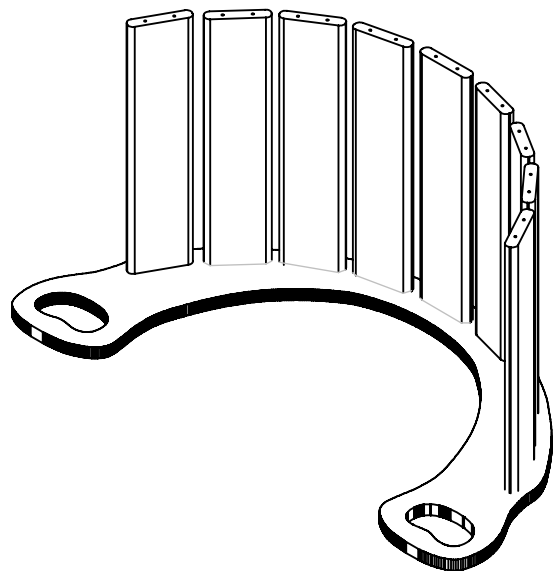
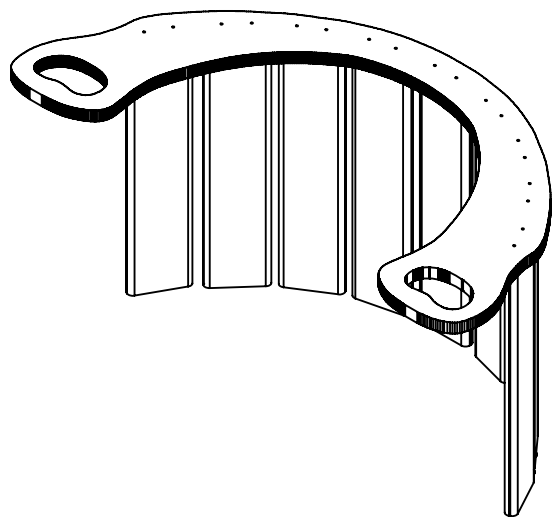
Next, place another D board and position the two narrower boards (piece C). It's important that they occupy the third and fourth positions, with the hole closest to the front edge, to create enough space for the ramp to be placed, as shown in the reference image.

STEP 3: YOU WILL NEED 8 SCREWS ⊕



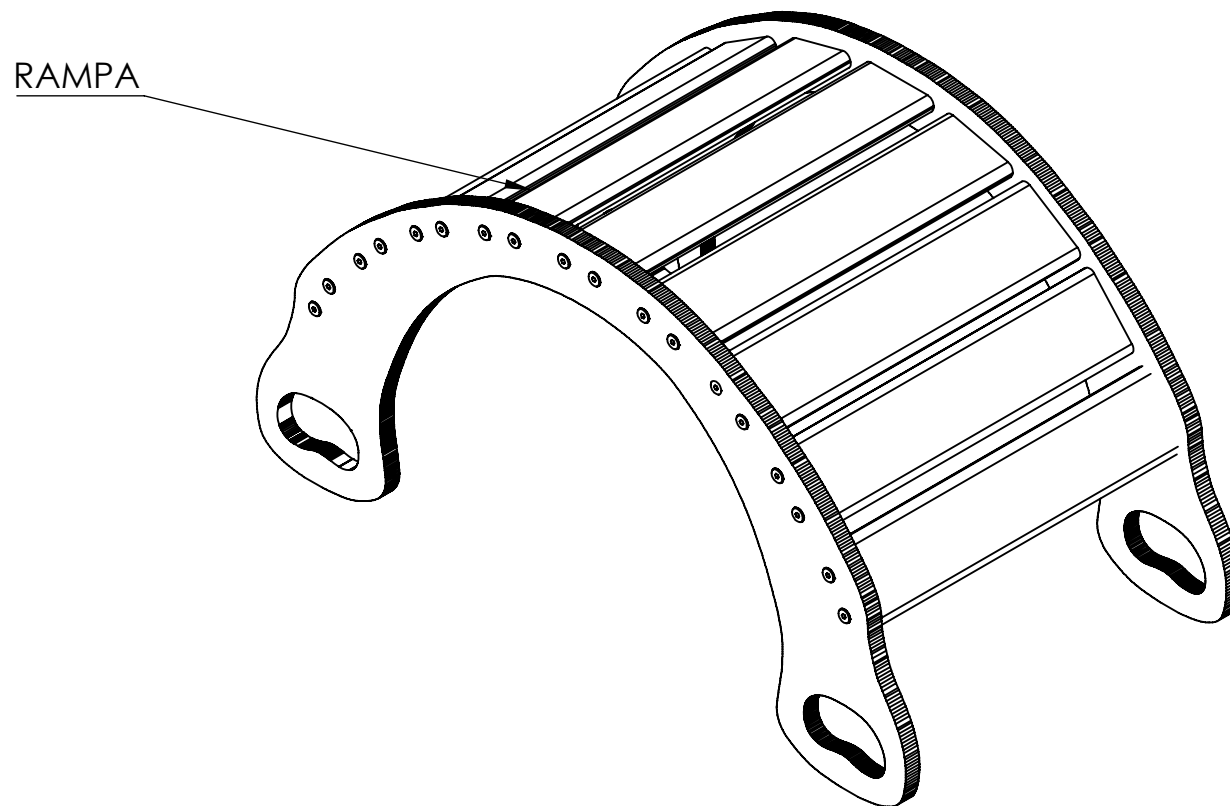
Next, place the remaining 4 boards (piece D) in the same manner as the previous steps, screwing in two screws per board, as shown in the reference image.

STEP 4: YOU WILL NEED 18 SCREWS ⊕



After placing all the boards on one side, turn the arc over and follow the same process on the other side (place the other side, piece B) that goes on top and screw each board with two screws each, as shown in the reference image.

Step 5: Position the rocker as shown in the image and apply downward pressure. You may hear some small creaking noises, it is normal when the pieces are connected in place.



The ramp is only placed between board 3 and 4, on one side