

SHURflo 4009 Pump

SHURflo's 4009 fresh water pump design was created with a unique one-piece diaphragm and internal by-pass, assuring long life and top performance in all plumbing systems.

Designed for high flow demand, low noise and no rapid cycling. SHURflo's quality reputation has been built on the reliability and dependability of every pump built. The 4009 series fresh water automatic demand pump is super quiet, thermally protected and can run dry without damage.



TYPICAL APPLICATIONS

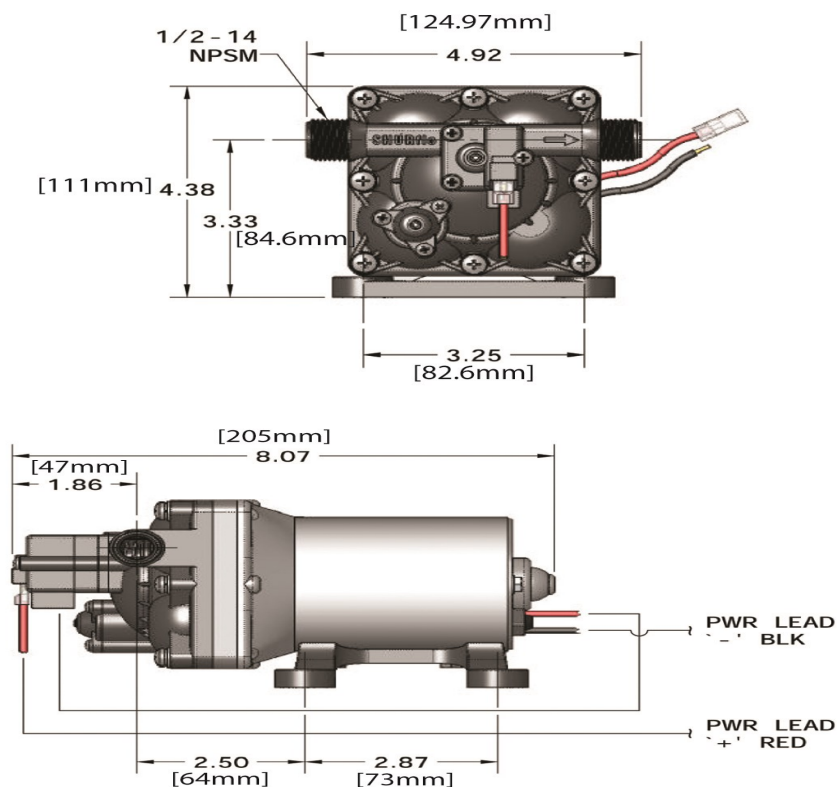
RV by-pass fresh water pump installation. Other uses may include 12VDC pressurized water systems in cabins. This pump may be used for general water transfer.

TYPICAL PERFORMANCE *12V				
PRESSURE		FLOW		CURRENT
BAR	PSI	GPM	LPM	AMPS
0.0	0	3.0	11.3	1.96
0.68	10	2.09	8.55	2.87
1.37	20	1.77	7.64	3.73
2.06	30	1.47	6.96	4.57
2.75	40	0.68	6.28	5.22

MODELS AVAILABLE:

- 800-00012:** 4009 Pump (12V, OEM Bulk Without Fittings, C-Tick Approved)
- 800-00022:** 4009 Pump (12V, Retail Box With Fittings, C-Tick Approved)
- 800-00052:** 4009 Pump (24V, OEM Bulk Without Fittings, C-Tick Approved)

Dimensions



SPECIFICATIONS

PUMP

Type: 4 Chamber Diaphragm Pump

Ports: 1/2" - 14 NPSM-Male

Liquid: 54 °C Max

Prime: 1.82Mt

Inlet PSI: 30 PSI (2.1 Bar) Max

Run Dry: Yes

ELECTRICAL

Motor: 12VDC (24V DC— Part Number 800-00052) Permanent Magnet, Intermittent Duty

Protection: Thermal Overload, Automatic Restart

Leads: 16 AWG, 25cm Red +, 33cm Black -

Fuse: 7Amp Recommended

Control: Shut-Off 45 PSI (3.1 Bar), Restart 30PSI (2.06Bar)

MATERIALS

Housing: Polypropylene

Valves: EPDM

Diaphragm: Santoprene

Hardware: Stainless and Zinc Plated Steel

Filters

These clear strainers eliminate unnecessary repair by keeping dust or other particles out of your SHURflo Pump. Its transparent design is also convenient as it shows when the filter should be cleaned or emptied. The top housing is made from polypropylene and the filter itself is made of T304 stainless steel (mesh). **Note that for warranty purposes, all SHURflo Pumps must be installed with a filter.** Coast recommends one of the two filters below:

800-00300

Twist Filter with 1/2" Thread Inlet and Outlet—this is a direct screw-on filter and will require a screw-on connection.

800-00312

Twist-On Filter with 1/2" Barb Inlet—suitable for use when a flexible hose, such as a reinforced drink water hose, is used.

