

# ***POWERTECH***

## **Jump Starter and Powerbank**



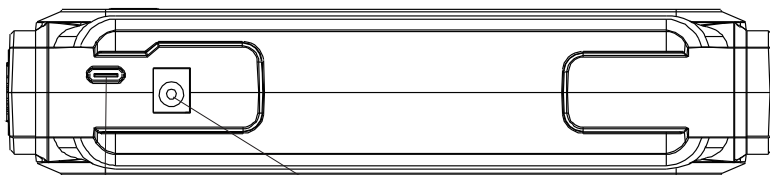
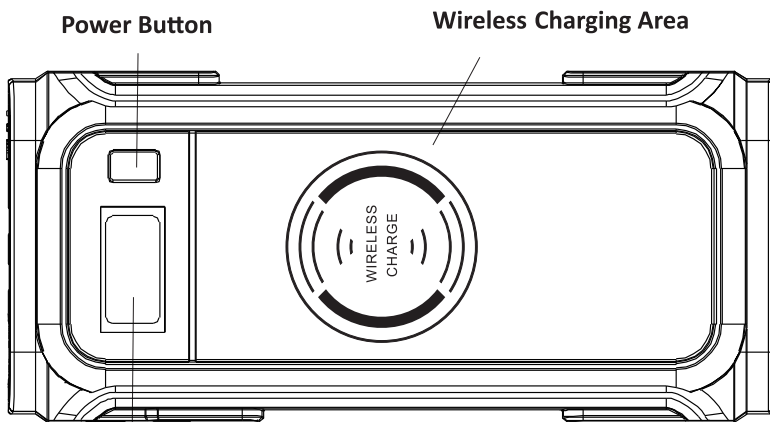
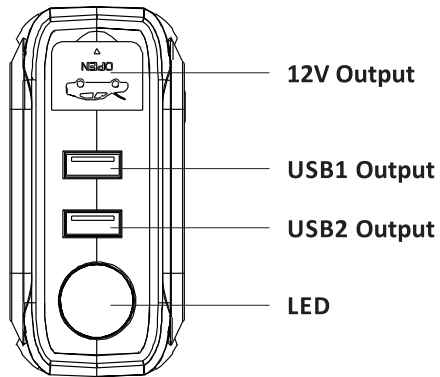
# **Instruction Manual**

| For more information visit [www.CaravanMods.com.au](http://www.CaravanMods.com.au) | (02) 9806 3055 |

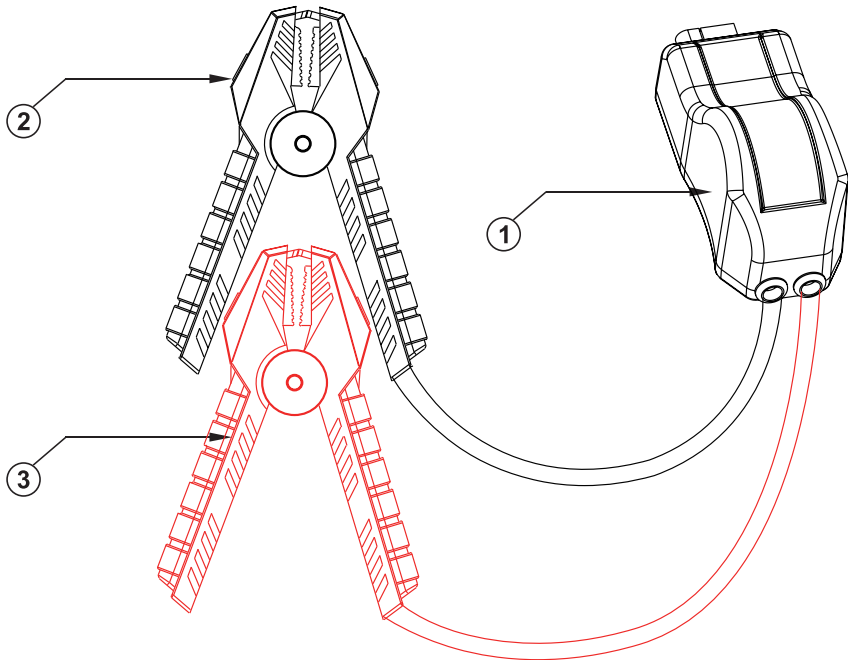
# Contents

Product Specifications	<b>2</b>
Operation Instructions	<b>6</b>
Troubleshooting	<b>11</b>
Warnings	<b>12</b>
FAQ	<b>13</b>
Warranty	<b>14</b>

# JUMP STARTER SPECIFICATION:



## JUMP STARTER SPECIFICATION:



- 1. Smart Clamp Plug
- 2. Black Smart Clamp
- 3. Red Smart Clamp

## SMART BATTERY CLAMP OPERATION DETAILS:

Steps	Operation	Indication	Status	Description
1	Plug the cable connector into the jump starter	Red Light On	The voltage of the jump starter cannot support to start	Check voltage of jump starter
		Red and Green Light Flash	Please check the voltage of jump starter is set to 12V/16V	Go to Step (2)
2	Connect the jump starter to the car battery	Red Light on and Buzzer	Short Circuit	Disconnect the jump starter from the car battery. Go back to Step (1)
		Red Light on and Buzzer	Reverse Polarity	
		Red and Green Light flashes within 1-3sec and then the Green Light on	Working Status	Turn on the Key
3	Green Light On	Red Light Flashes	Cannot start within 30sec	If you need to use it again, disconnect and reconnect the connectors

## SMART BATTERY CLAMP PERFORMANCE:

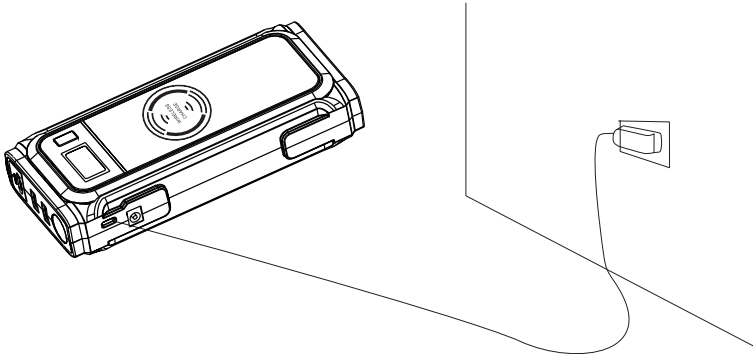
No.	Item	Indication	Standard	Description
1	High Voltage Protection	Red Light Flashing	>16.7V(±3%) (4S)	Please check the voltage of the jump starter port before using. If the voltage is >16.7V it may not start. The Red light on the battery clamp will keep flashing.
2	Low Voltage Protection	Red Light Flashing	<12.8V(±3%) (4S)	Please check the voltage of the jump starter port before using. If the voltage is <12.8V it may not start. The Red light on the battery clamp will keep flashing.
3	Startup		30S±2%	
4	Start Current		600A±10%	0.1-0.3S 1000A 0.5S 800A 2S 600A
5	Reverse Charging Protection	Red and Green Light Flashing	Support	If there is any reverse current, the clamps will turn off the output automatically. The Red and Green Light will keep Flashing.
6	Short-Circuit Protection	Red Light Flashing	Support	When the Two Clamps are connected, the battery clamp will be in Short Circuit Protection Mode. Note: The Red light on the battery clamp will keep flashing, the buzzer will sound, no output and sparks.
7	Reverse Polarity Protection	Red Light Flashing	Support	When the Clamps are connected in reverse on the battery. The battery clamp will be in Reverse Polarity Protection mode. Note: The Red light on the battery clamp will keep flashing, the buzzer will sound, no output and sparks.
8	High Temperature Protection	Red Light Flashing	Support	Clamps will be cut off automatically when operation temperature is too high. Note: Protection Temperature 80°C±5°C
9	Working Status	Green Light On	Support	Jump Starter is ready to start the car.
10	Standby		Support	The Red and Green lights of the battery clamp will keep flashing when ready to use

## OPERATION INSTRUCTIONS:

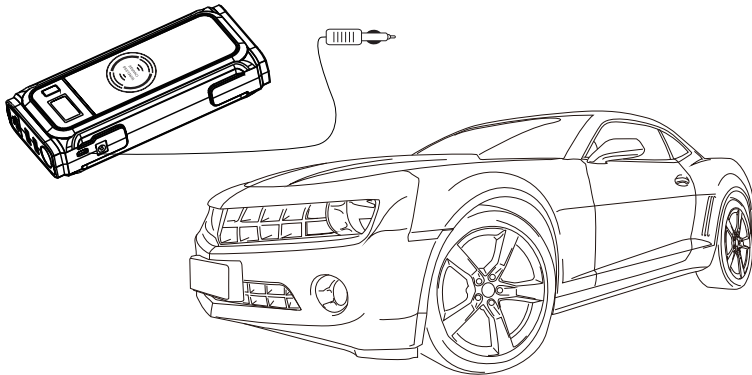
### CHARGING YOUR JUMP STARTER:

You can charge your Jump Starter one of two ways:

1. Using the supplied 240V main charger:



2. Insert one end of the cigarette lighter charger into the 12V auxiliary power outlet in your vehicle and insert the other end of the cigarette lighter charger into the device.



\* Charging takes 3-5 hours using either charging option.

## OPERATION INSTRUCTIONS:

### TURNING ON YOUR JUMP STARTER:

Prior to using the Jump Starter, please ensure that the device is switched ON first. Simply locate and press the Power button to turn on the unit.

### STARTING YOUR VEHICLE:

Please ensure that your Jump Starter is no less than 50% charged. If it is below 50%, you may not be able to jump start your vehicle.

1. Connect the jumper leads to your Jump Starter.
2. Connect the + (**Red clamp**) to the + terminal on your car battery.
3. Connect the + (**Black clamp**) to the - terminal on your car battery.
4. Turn the key/ignition on to start the vehicle.
5. Once your vehicle has started, disconnect the jumper leads as soon as possible.

#### NOTE:

1. After starting your vehicle, remove the Jump Starter as soon as possible.
2. **DO NOT** connect the 2 clamps together.
3. **DO NOT** disassemble the Jump Starter.



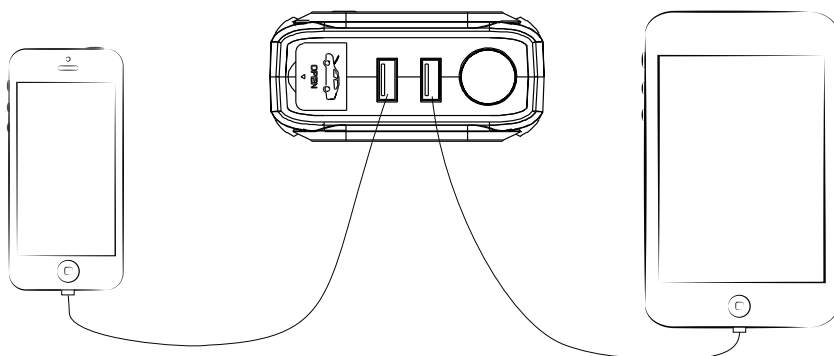
## OPERATION INSTRUCTIONS:

### CHARGING DIGITAL DEVICES VIA USB:

Either use the provided USB Break Out lead or your own USB cable suitable to your digital device.

If you are using the USB Break Out lead, select the correct connector and connect it to your device.

If you are using your own cable, simply plug into the USB port on the Jump Starter and connect it to your device.

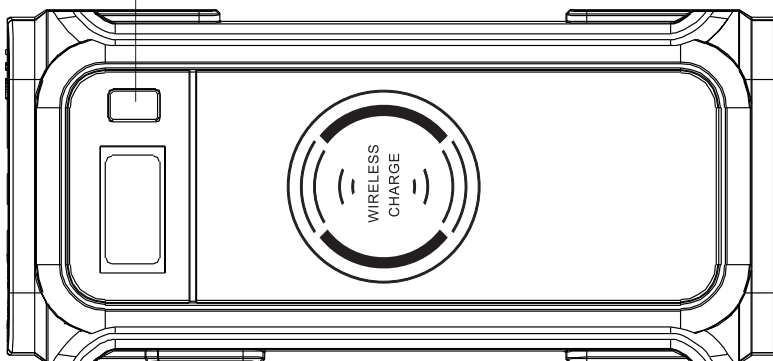


## OPERATION INSTRUCTIONS:

### HOW TO USE THE LED TORCH:

1. Double press the Power button and the LED light will turn ON.
2. Press the button again and it will switch to STROBE function.
3. Press the button again and it will switch to SOS function
4. Press the button again and it will turn OFF the LED light

Double press the power button,  
LED light will turn on.



### CHARGING INDICATOR:

1. Press the Power button to see the charge status of the Jump Starter on the LCD screen.
2. When charging, the LDC screen will show the specific number range from 0 to 100%.
3. The input function will stop once the Jump Starter is fully charged.

## OPERATION INSTRUCTIONS:

### HOW TO USE WIRELESS CHARGING:

Your Jump Starter is Wireless Charging Ready. You can charge a smart device wirelessly from your Jump Starter. Please make sure your device supports wireless charging before using this feature. If your device doesn't support wireless charging this process will not work.

1. Ensure that the Jump Starter is switched ON first. Simply locate and press the Power button to turn on the unit.
2. Please your device on the Wireless Charging Area which is indicated on the Jump Starter.

### NOTE:

The Jump Starter is capable of running 12-16V devices.

## TROUBLESHOOTING:

If the following operations are unable to be resolved, stop using your Jump Starter and contact the original store of purchase.

<b>Issue</b>	<b>Cause</b>	<b>Solution</b>
Power capacity of the device is showing 100% but did not fully charge	The device may not have been used for a long period of time and is in a semistate of charge.	Pull out charge plug, then reinsert.
Nothing happens when pressing the Power button	Low voltage protection of the device is started and the device cannot be switched on.	Insert the charger pulg into the 9V2A input port to reactivate.

## WARNING

1. After starting your vehicle, remove the Jump Starter as soon as possible.
2. **DO NOT** connect the 2 clamps together.
3. **DO NOT** disassemble the Jump Starter.



Do not use the product in the bathroom or near water.



Do not remodel or dismantle the device.



Keep the device away from children.



Do not reverse the input or output connections.



Do not throw the product into fire.



Don't charge devices that exceed the jump starters maximum capacity.



Only store in temperature between 0°C to 40°C when the device is being charged.



Do not hit or throw the device.



If there is problem with charging, contact the original point of purchase.



Keep the product away from the flammable objects.



If any liquid within the device is splashed into eyes, do not wipe the eyes but wash them with clean water immediately.



If the product is heating and discoloration, please stop using, as it may lead to liquid, smoke or burns.



If storing for long periods ensure the device is fully charged and discharged every 3 months.

## FREQUENTLY ASKED QUESTIONS:

- 1. How do I turn off my Jump Starter?**  
Press the Power button for 5 seconds. The Jump Starter will turn off.
- 2. How long does a full charge take?**  
A full charge can take between 5-8 hours using either 240V or 9V charging options.
- 3. How many times can I jump start my vehicle in one charge?**  
This depends on different engine displacements. The Jump Starter can start a vehicle up to 25 times on one charge.
- 4. If not being used how long can I store my Jump Starter?**  
It is recommended to charge the Jump Starter once every 3 months.
- 5. Why won't my Jump Starter start my car?**  
Ensure the unit is charged above 50%.  
Ensure the clamps are secure and not connected incorrectly.  
Ensure the battery terminals are clean and free from corrosion.  
If corroded, clean the terminals and reconnect the Jump Starter as per the instructions in this manual.

# Warranty card

We offer a 12-month warranty starting from the date of purchasing.

## Warranty conditions:

Please show this completed warranty card to obtain warranty service. We offer a 12 month warranty starting from the date of original purchase and covers normal use as set out in this manual.

Warranty does not cover the following:

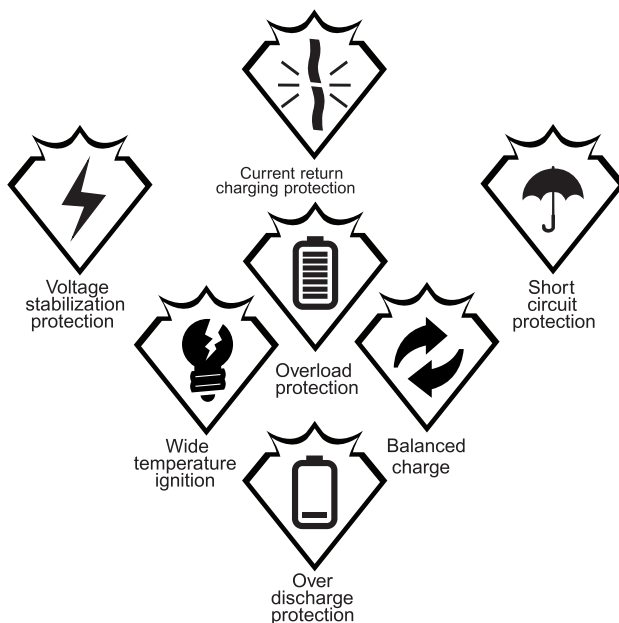
Incorrect use of the device or its components.

Dismantling of the device or components.

Product labels or markings removed.

Exposure to extreme temperatures.

Model No.		Series No.	
Purchase Date		Repair Date	
Customer Name		Tel	
Customer Address			
Sales Unit			
Description of Malfunctions			



**ROHS** **CE** **FC**

Distributed by:  
Electus Distribution Pty. Ltd.  
320 Victoria Rd, Rydalmere  
NSW 2116 Australia

[www.electusdistribution.com.au](http://www.electusdistribution.com.au)

Made in China