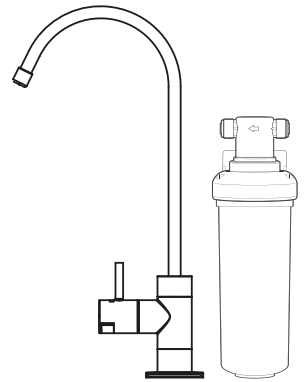




Puretec[®]
PERFECTING WATER



User Guide

CR-Z2

Caravan / RV Quick Twist Undersink Water Filter System

OCT2021

For correct operation & installation, it is essential to observe these instructions.

| For more information visit www.CaravanMods.com.au | (02) 9806 3055 |

What's Inside

Operation	3
Cartridge Replacement.....	3
Installation Requirements and Procedure	3
Cartridge Changeout	4
Use Guidelines	5
Assembly.....	6
Faucet Connections.....	7
Battery Installation.....	8
Warranty.....	9



WARNING!

This product contains a button battery. Accidental ingestion may occur and can be fatal. Please keep out of reach from infants. If you suspect an accidental ingestion please contact emergency services.

Puretec Customer Service

Thank you for purchasing a Puretec Caravan / RV Quick Twist Undersink Water Filter System. Your system is a proven performer manufactured from only quality materials and components and will give years of 'spring fresh' water free of impurities if maintained properly.

The Puretec CR-Z2 system cartridges need replacing regularly to maintain optimum performance. This is a simple procedure when following instructions. For cartridge replacements contact your nearest Puretec stockist.

Customer Service Helpline **1300 140 140** (Australia) **0800 130 140** (New Zealand).

Caution: Do not use with water that is microbiologically unsafe or with water of unknown quality without adequate disinfection before or after the system.

Operation

The Puretec CR-Z2 systems are designed to run economically for many years dependent on the initial installation and periodical maintenance.

Flush systems for 10 minutes after any period of non-use more than 2 days. For a period of non-use of 2 weeks or more, it may be necessary to replace cartridge.

Cartridge Replacement

To maintain the high quality of the purified water cartridges need changing every 6-12 months (dependent on water quality and usage).

When replacing the cartridge, ensure you reset the LED reminder light by removing/replacing the battery from the rubber seat. Please refer to page 6 for a detailed diagram.

Order **Z2-R** for a replacement cartridge to suit your CR-Z2 system.

Installation

This system comes complete with an installation kit enabling it to be connected to 12 mm tubing.

Installation Note: A water filter system/tap, like any product, has a limited life and may eventually fail. Also sometimes failure happens early due to unforeseen circumstances. To avoid possible property damage, this product should be regularly examined for leakage and/or deterioration and replaced when necessary. A drain pan, plumbed to an appropriate drain or outfitted with a leak detector, should be used in those applications where any leakage could cause property damage, and/or the water supply should be turned off if no one is present.

Installation requirements

- 1 12 mm tubing.
- 2 Supply pressure: 200 - 520 kPa.
- 3 Supply temperature 0° - 38 °C (protect from freezing).
- 4 Suitable location for faucet.

Alternative fittings may be required if being connected to anything other than 12 mm tube. No electrical or drainage requirements needed.

Installation Procedure

1. Select suitable location that is close to the point of filtered water delivery (eg. sink). Remember to allow access room for changing filters and a suitable place where water spillage will not cause damage. Location should not be in direct sunlight.
2. Isolate water supply. Uninstall the connections on the cold water line and connect the tee, stem adaptor & tap adaptor ($\frac{3}{8}$ " Tube x $\frac{1}{2}$ " F) together as shown in Fig 1 using the supplied thread seal tape on each of the threads. Reinstall the previous connection to the Tee
3. Choose the best position for the faucet, taking into consideration height of jugs etc. and also the drainage of any spills. Then drill a $\varnothing 12.5$ mm hole and install the faucet as in the instructions for your model in step 5.
4. To install the faucet, connect spout to the base of the faucet, ensuring that the white circlip is flush with the groove on the spout. Push down on the spout cap until it clicks, then tighten by hand. Once connected, place the escutcheon and O-ring supplied onto the base of the tap. Insert into the counter top or sink and place the plastic washer, lock washer and locking nut onto the thread and tighten, ensuring the tap is in the correct position on the bench. Insert the $\frac{3}{8}$ " tube into the faucet tap adaptor (give it a small tug to ensure the tube is firmly in place) and screw the tap adaptor onto the thread.
Note: Parts packet also contains a gasket, cone washer/olive & $\frac{1}{4}$ " Compression Nut, these are for a $\frac{1}{4}$ " tube connection and are not needed for the $\frac{3}{8}$ " installation.
5. Reset LED indicator by following instructions on page 8.
7. Install filter cartridge by positioning it in the desired location, marking the position of fixing hole and fixing with bracket screw. The system can be mounted horizontally or vertically. Allow room for the connecting tubes. Ensure flow arrow on the head is in direction of water flow.
8. Fit tubing into connectors (for quick-connect fittings instructions see Fig. 2). Allow slack in the tubing.
4. Connect the tee, stem adaptor & tap adaptor to the filter head with a length of White Tubing on the inlet side.
10. Connect a piece white tubing on the outlet side of the filter and connect to the faucet tap adaptor.
9. Restore the water supply and check for leaks.
10. Run the system for at least 5 minutes to remove carbon fines. Water may appear milky, but this is normal and is only tiny air bubbles that will clear after a short period.

Cartridge Installation/Changeout

1. Rotate the old cartridge counterclockwise 1/4 turn, pull it out and dispose of it.
2. Remove all packaging from the new cartridge, including any wraps or caps (if applicable).

Replacement cartridge **Z2-R**

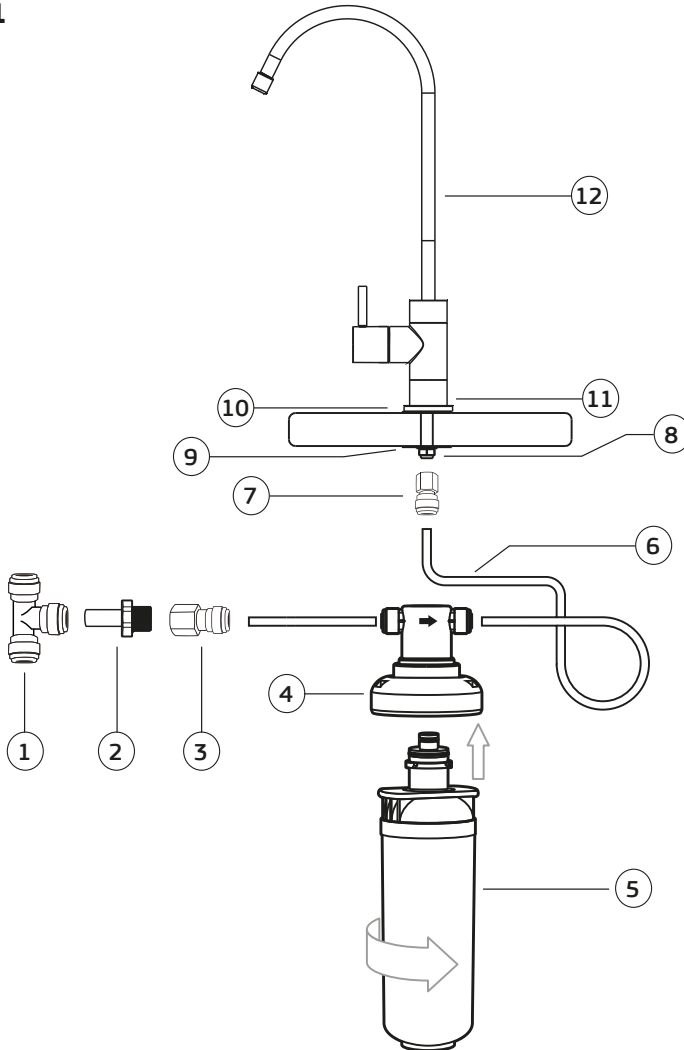
3. Insert the new cartridge into the filter head and rotate clockwise 1/4 turn.
4. Reset LED indicator by following instructions on Page 7 & 10.
5. Turn on the water and check for leaks. If leaks occur, repeat step 3. If leaks persist, discontinue use and call your supporting dealer.
6. Flush filter for 5 minutes before use or until water runs clear.

Use Guidelines

- Minimum operating pressure 200 kPa.
- Maximum operating pressure 520 kPa.
- Do not allow exposure to temperatures below 0 °C, protect from freezing.
- Maximum operating temperature 38 °C (protect from freezing).
- Nominal flow rate 5.5 Lpm.
- Replacement Cartridge: **Z2-R**
- This system requires regular replacement of the filter cartridge to maintain proper operation. Varying chlorine, sediment, or organic substance levels may affect replacement frequency.
- Be sure to change the filter cartridge at least every 38,000 litres or 6 - 12 months whichever ever occurs first; or whenever you detect a change in taste, odour, or decrease in flow.

Caution: Do not use with water that is microbiologically unsafe or of unknown quality without adequate disinfection before or after the system.

Figure 1



No.	DESCRIPTION
1	Tee Connector
2	Stem Adaptor 12mm Stem x 1/2" BSP
3	Tap Adaptor 3/8" Tube x 1/2" F
4	Mounting Bracket & Head
5	Z2-R Filter Cartridge
6	White Tubing

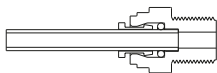
7	Faucet Tap Adaptor 3/8" Tube x 7/16" F
8	Faucet Lock Nut and Washer
9	Black Plastic Washer
10	Black Rubber Washer
11	Escutcheon
12	DFU180 High Loop Faucet

Figure 2

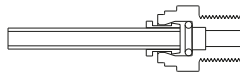
HOW TO USE QUICK CONNECT FITTINGS



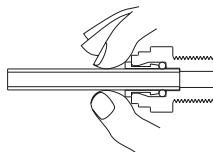
1. Cut the tube square and push in to the tube stop. For metal tube remove burrs and chamfer tube end to prevent O-Ring seal being damaged.



3. Tube is secured in position.



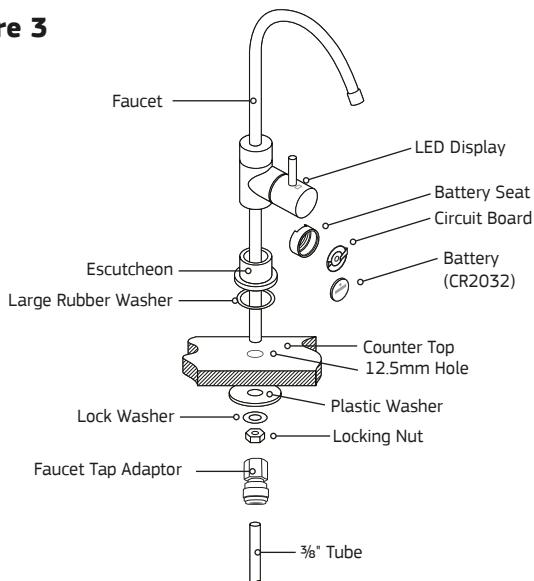
2. Fitting grips before it seals. Ensure tube is pushed in to tube stop.



DISCONNECTION PROCEDURE

4. Push collet against body and slide tube out of fitting.

Figure 3



Note: Parts packet also contains a gasket, cone washer/olive & 1/4" Compression Nut, these are for a 1/4" tube connection and are not needed for the 3/8" installation.

- Gasket
- Cone Washer/Olive
- 1/4" Compression Nut

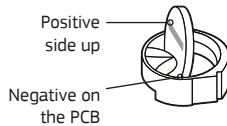
Battery Installation - LED Reminder Light

Important Note: Battery must be replaced when changing cartridges.

1. Remove the black battery seat from the faucet lever handle (see Figure 3).



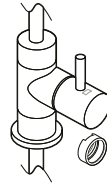
2. Install battery into the battery seat, positive side up.



Note: red light flashes twice and then followed by the blue light.



3. Reinstall battery seat assembly into the faucet lever.



4. Blue light flashes during normal operation.



5. Red light flashes indicates your cartridges are due to be changed (usage has exceeded 3,000 minutes or 12 months). **Please change the battery when changing the cartridges.**

Notes

Puretec water care products are designed, manufactured and supported by Puretec Pty Ltd the name you can trust for viable and proven water solutions. The complete range of Puretec products are developed, refined, made to meet and exceed stringent specifications for the worldwide market.

Important: Sales of products are subject to our Terms and Conditions which are available upon request. All specifications, information and photos are a guide only and are subject to change without notice. Please ring to confirm details. Warning: For correct operation of this appliance it is essential to observe manufacturer's instructions.

Warranty

Any claim under this warranty must be made within 10 years of the date of purchase of the product. This product is warranted to be free of defect of material and workmanship for 10 years from date of purchase. 10 year warranty is 1 year parts and labour plus 9 years parts only. Excludes cartridges.

Puretec is renowned for its quality and after-sales support so if you have any issues please call 1300 140 140 (AU) or 0800 130 140 (NZ). To make a warranty claim, contact us directly or the place of original purchase. All costs relating to a warranty claim must be approved by Puretec prior to any work being carried out.

Puretec will pay your reasonable, direct expenses of claiming under this warranty. You may submit details and proof of your expense claim to place of purchase for consideration.

The warranty only applies if the product was used and/or installed in accordance with the user guide and/or installation instructions. This warranty is given in lieu of all other express or implied warranties and manufacturer shall in no circumstance be held liable for damages consequential or otherwise or delays caused or faulty manufacturing except as excluded by law.

Applicable to all above, is that the warranties need to be approved by Puretec to ensure

product was not incorrectly used, installed or claimed. False and incorrect claims will be pursued at Puretec's discretion, including chargeable inspection and labour costs incurred.

Warranty/Australia

This warranty is given by Puretec Pty Ltd, ABN 44 164 806 688, 37-43 Brodie Road, Lonsdale SA 5160, telephone no. 1300 140 140 and email at sales@puretec.com.au.

This warranty is provided in addition to other rights and remedies you have under law: Our goods come with guarantees which cannot be excluded under the Australian Consumer Law. You are entitled to replacement or refund for a major failure and to compensation for other reasonably foreseeable loss or damage. You are also entitled to have the goods repaired or replaced if the goods fail to be of acceptable quality and the failure does not amount to a major failure.

Warranty/New Zealand

This warranty is given by Puretec Ltd, Reg. No 4464398, PO Box 875 Cambridge 3450 NZ, telephone no. 0800 130 140 and email at sales@puretec.co.nz.

This warranty is provided in addition to other rights and remedies you have under law: Our goods come with guarantees which cannot be excluded under the Consumer Guarantees Act. You are entitled to replacement or refund for a major failure and to compensation for other reasonably foreseeable loss or damage. You are also entitled to have the goods repaired or replaced if the goods fail to be of acceptable quality and the failure does not amount to a major failure.

This page was intentionally left blank.



AUSTRALIA

P 1300 140 140

E sales@puretec.com.au

W puretec.com.au

NEW ZEALAND

P 0800 130 140

E sales@puretec.co.nz

W puretec.co.nz