

Option C - Installation Instructions

Bed Fly Conversion Kit - Gabled

This installation consists of four simple steps;

Step 1. Configuring your poles

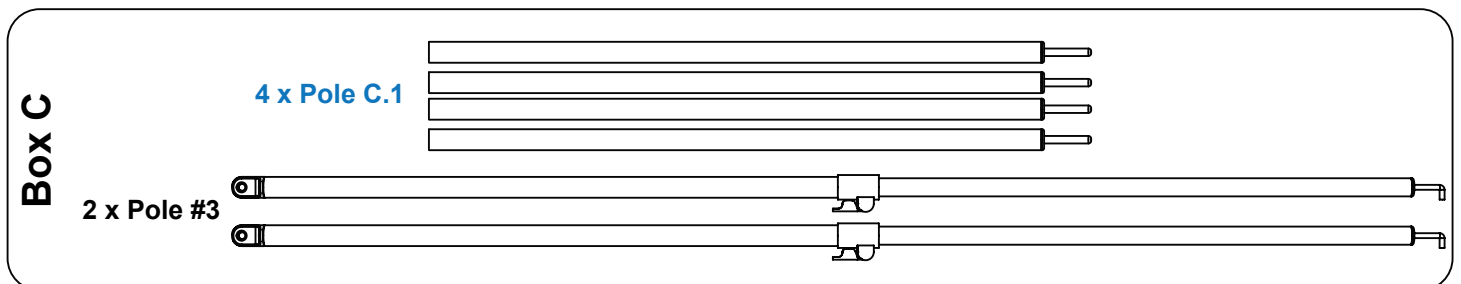
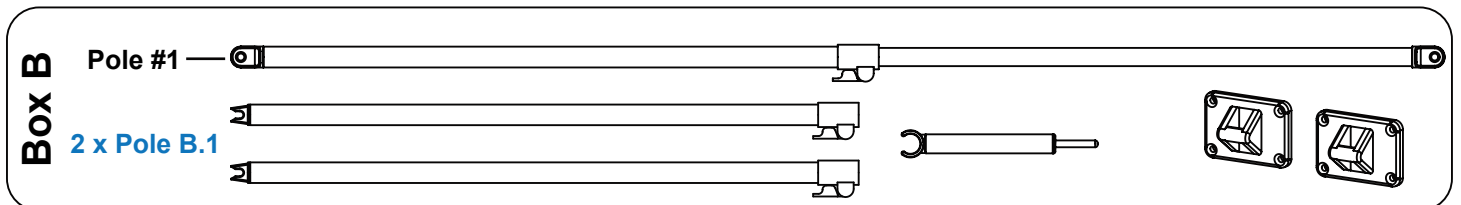
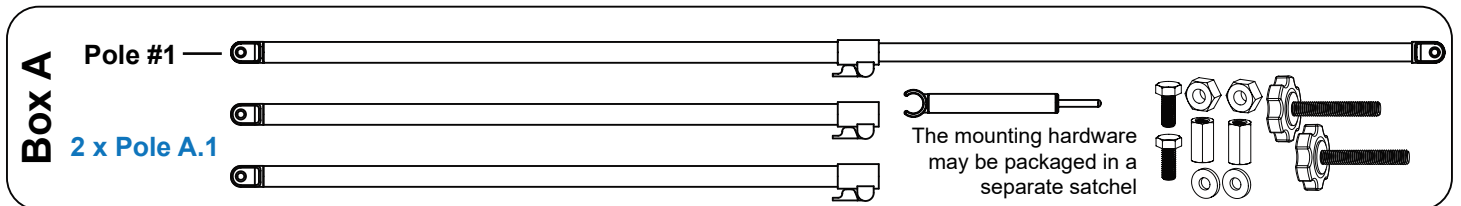
Step 2. Installing Mounting Hardware (2a: bird beak plates mounting, 2b bolts mounting)

Step 3. Install Roof Brackets

Step 4. Erecting the Bed Fly

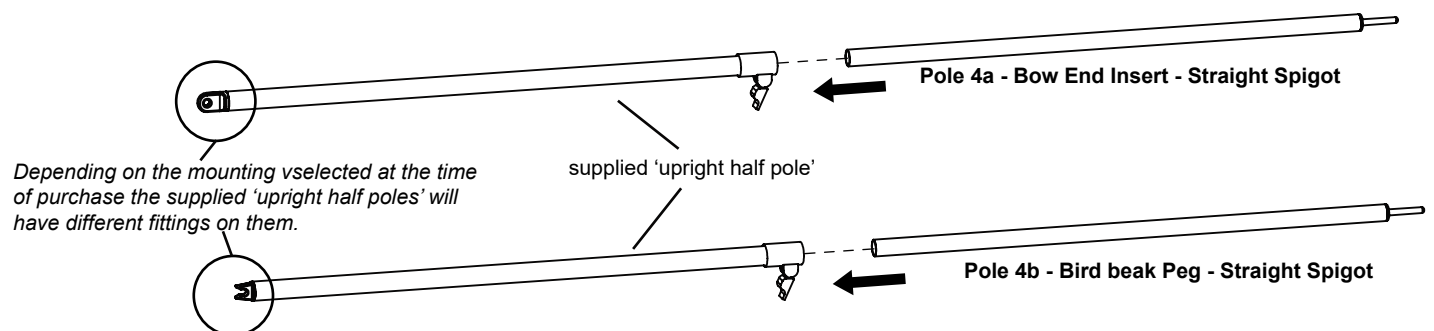
1. Configure your poles

Your complete pole kit will arrive in 3 packages. You will receive 1 x Box C and 2 boxes labelled either A or B depending on which mounting style you select at check out. The pole numbers below match to the pole numbers on the final page titled 'erecting your bed fly'. supplied in a separate satchel will be the roof brackets required for the roof rafter poles



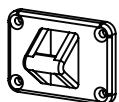
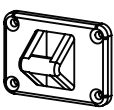
Take the 4 x C.1 poles and assembly them into A.1 and or B.1, you will now have 4 x complete Poles, we refer to these on the final page titled "erecting the bed fly" as Pole #4.

See the final page for pole # references



Step 2a. Installing Bird Beak plates

Step 2a is only applicable if you've selected Bird Beak plates as one of your mounting options, otherwise skip to step 2b.



2pcs x Bird Beak Plate
(Supplied in kit)

The bird beak plates are typically mounted on the rear bumper bar with 4 x self drilling screws or rivets (screws/rivets not supplied).

Typical install pictured on the right >

Note: Attach the bird beak plates as close to the ends of the bar as possible to minimise clashing with the sliding beds.

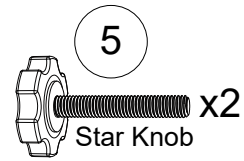
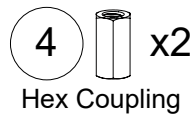
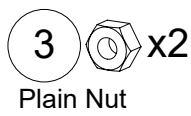
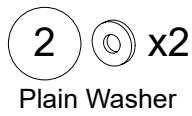


Option C - Installation Instructions

Bed Fly Conversion Kit - Gabled

Step 2b. Installing Bolts Mounting Hardware

Contents of 1 x Bolts Mounting Hardware Kit | SKU: BFCKHW02



The steps below describe the installation of the bolts mounting hardware on one side only, you'll complete these steps twice for each end which you wish to use bolts mounting on.

Step 1. Drill an 8.5mm hole at position (A)

Tip 1: When choosing where to drill the hole, ensure that you can get access to the rear of the planned hole with a spanner/socket so that you can adequately tighten the bolt in step 2.

Tip 2: Check the position of the proposed hole to ensure that your upright pole (pole 4) can reach the bed fly and also the mounting position without obstructing any side access hatches or clashing on pole carriers/stone guards.

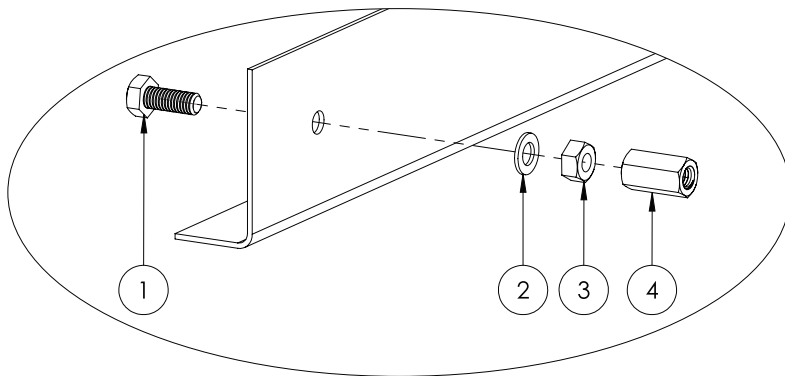


The hole location pictured here may be different to your preferred location after reading tip 1 & 2 above.

Step 2. Assemble Hardware as shown below

Through the hole which you have just drilled, thread the hex head bolt through from the rear and install the washer and plain hex nut. Tighten the hex nut before installing the coupling and tightening the coupling.

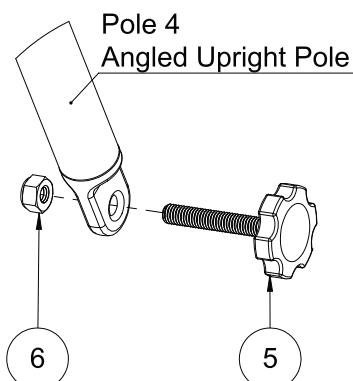
Note: Two types of M8 nuts are supplied in the kit. Ensure you use the **plain hex nut at this point** (not the nylon lock nut)



Step 3. Assemble Star Knob and Lock Nut to Pole

Pass the Star knob through the bow end insert of the upright poles and secure it in place using the nylon lock nut.

Note: Two types of M8 nuts are supplied in the kit. Ensure you use the **nylon lock nut at this point**



The Nylon lock nut can be identified as it has a small piece of nylon on one face of the nut

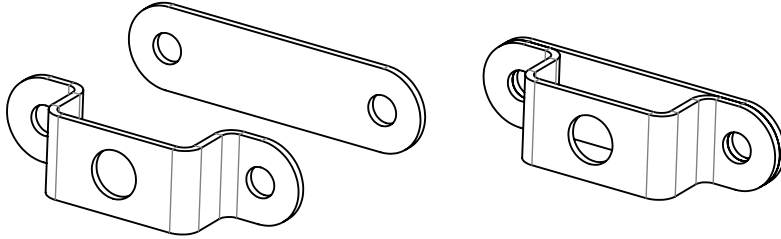


Step 3. Installing Roof Brackets

In this step you will install the brackets which connect the roof rafter pole back to the trailer, one bracket is required per end. Both brackets are supplied in the kit. The rivets required to install the bracket are not supplied.

Note:

- Rivets are recommended for this installation as they will be less likely to damage any canvas they come in contact with on the other side of the roof.
- If the holes you drill for the brackets are above the canvas line then you should use appropriate sealant to avoid ingress.
- The bracket has two pieces, a rear mounting plate and a U shaped eyelet plate. Ensure the rear mounting plate is assembled as below.



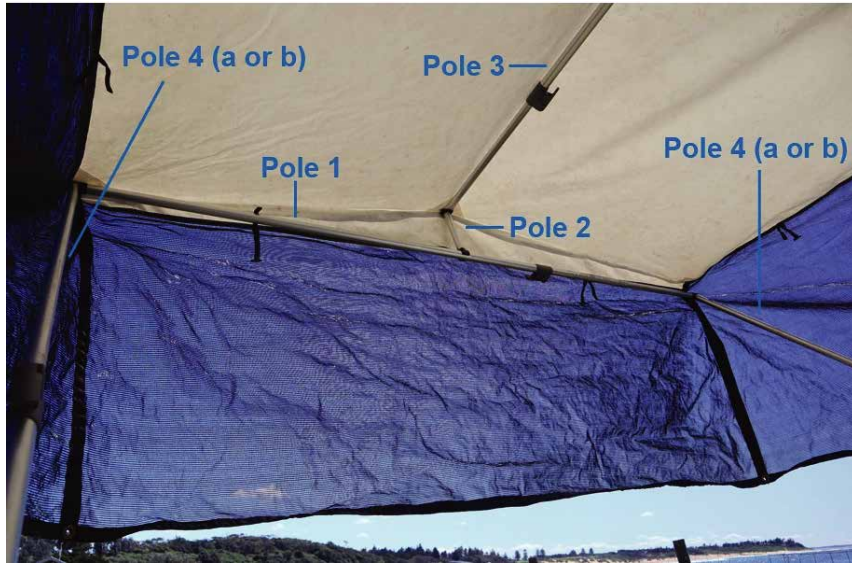
1. Mark out the holes required for the bracket - The hole centres are 40mm apart and the bracket should sit ~40mm below the sail track.
2. Drill the clearance holes required for the rivets you're using and then fasten the bracket in place.



Option C - Installation Instructions

Bed Fly Conversion Kit - Gabled

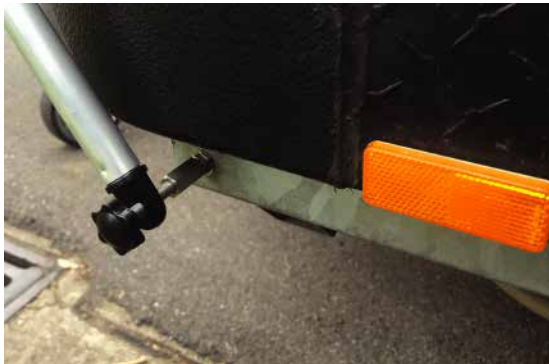
Step 4. Erecting the bed fly



The numbered poles above match the pole #'s used on Page 1

Begin with the trailer roof wound down.

1. Begin by securing the two angled uprights [Pole 4 (a or b)] into their appropriate mounting positions on the trailer.



Pole 4a and bolts mounting



Pole 4b and bird beak plate mounting

2. Pass the straight spigot on pole 4 through the ends of the horizontal spreader bar (Pole 1) and then through the eyelet on the bed fly. Complete this again for the second Pole 4.

4. Connect pole 3 to the van using the bent spigot and roof rafter bracket.

3. Extend the horizontal spreader bar (pole 1) to remove slack in the bed fly.

5. Clip Pole 2 onto the horizontal spreader bar (pole 1) and now pass the spigot on pole 2 through the bow end insert on pole 3.

6. Extend the roof rafter pole (pole 3) comfortably to take up any slack. Extend both the angled uprights before winding the roof up