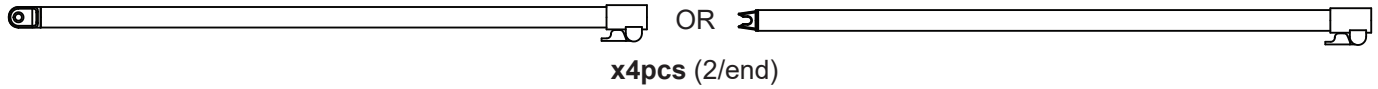


# Option B - Installation Instructions

Bed Fly Conversion Kit

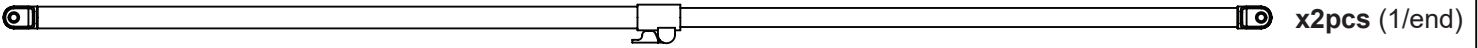
## Supplied Parts

Upright Half Pole

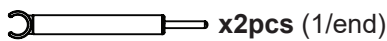


Depending on the mounting style you selected at the time of purchase, your upright half poles (above) will be supplied with bow end inserts and or bird beak pegs.

Pole 1. Bow end to Bow end Spreader Bar (see "step 3: Erecting the bed fly" on page 4 for pole # references)



Pole 2. Short 150mm C clip to Straight Spigot (SKU: CC-SS-150-01) (see "step 3: Erecting the bed fly" on page 4 for pole # references)



Note: A bolts mounting hardware pack is also included if bolts mounting is selected at the time of purchase SKU: BFCKHW02

The installation and set up of the bed fly conversion kit for Option B consists of three steps;

Step 1. Configuring your poles

Step 2. Installing Mounting Hardware

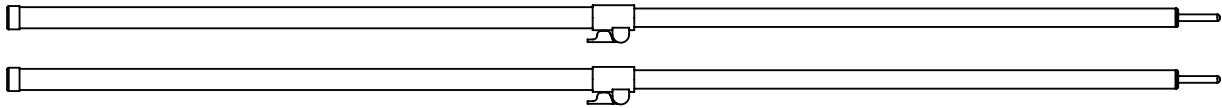
Step 3. Erecting the Bed Fly

## Step 1. Configuring your Poles

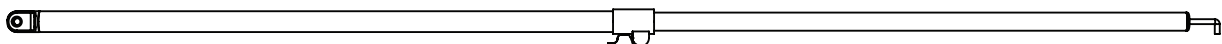
### 1.1 Lay your existing poles out

Start by laying out your existing bed fly poles. Pictured below is what you are required to supply.

Pole A - 2pcs/end (4pcs total)



Pole B - 1pcs/end (2pcs total)

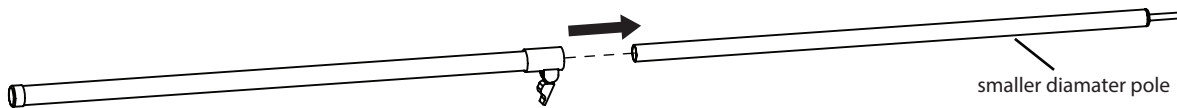


**Note:** Check to see if the supplied 150mm pole's straight spigot fits into the eyelet of Pole B (above), for some models the eyelet in pole B needs to be expanded to 8.5mm. This is the same size drill bit as required for the bolts hardware kit installation.

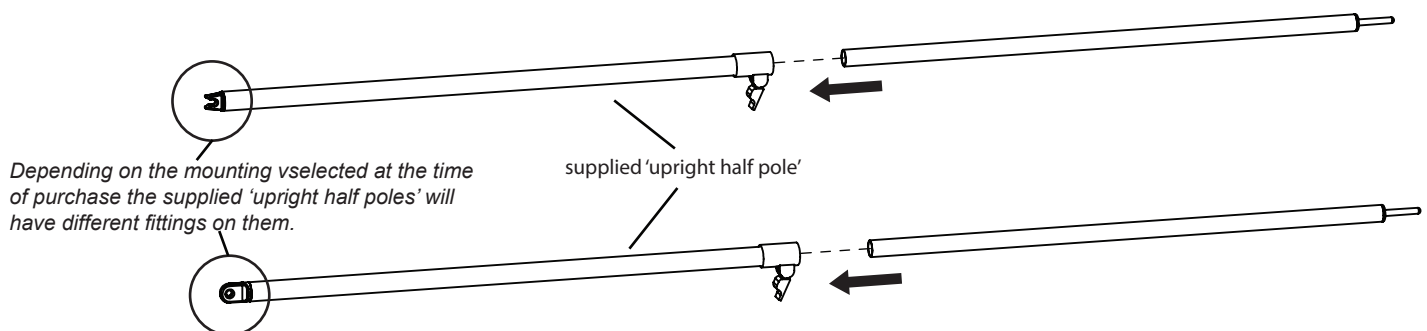
### 1.2. Begin swapping your poles

Take 1 x pole A and unlock the clamp to telescope the smaller diameter tube out of the pole.

Complete this step four times, once for each corner of the trailer.



Take the smaller diameter pole which has just been disassembled above and assemble it into the provided 'upright half pole'

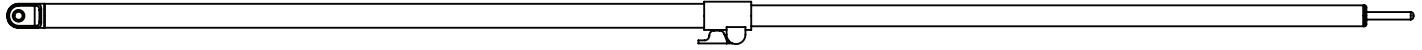


# Option B - Installation Instructions

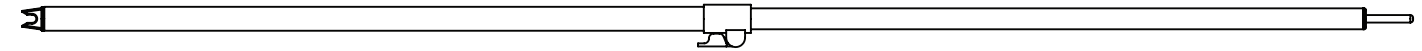
## Bed Fly Conversion Kit

Your upright poles are now complete, we will refer back to them shortly as Pole 4a or Pole 4b depending on the mounting style chosen.

Pole 4a - Bow end insert to straight spigot | Used with bolts mounting



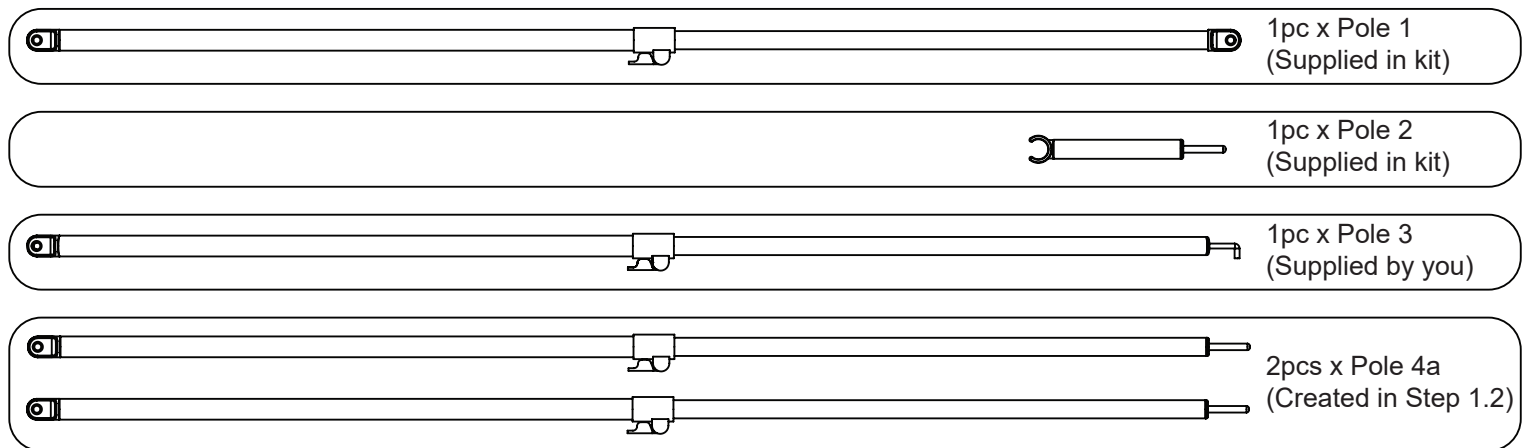
Pole 4b - Bird beak peg to straight spigot | Used with bird beak plates mounting



### 1.3. Check your pole set

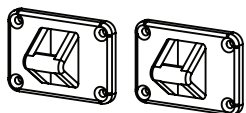
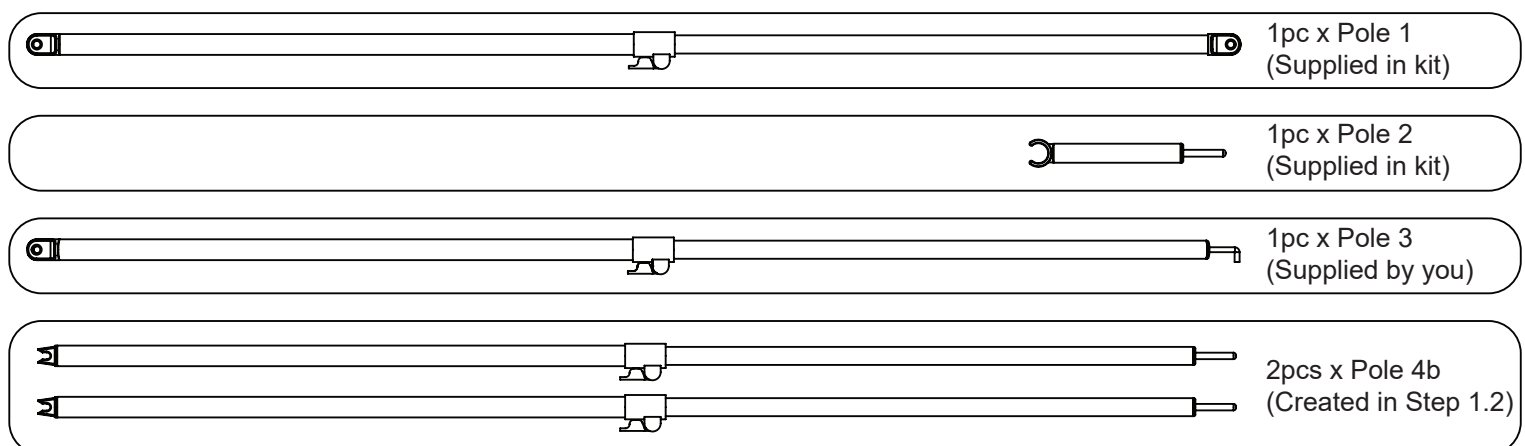
You should now be able to make up the below pole sets depending on which mounting option you selected at the time of purchase.

1.3.1 - Each end which utilises bolts mounting will require the below;



+ 1 set of Bolts Mounting Hardware (included in the kit when purchased)

1.3.2 - Each end which utilises bird beak pegs mounting will require the below;



2pcs x Bird Beak Plate  
(Supplied in kit)

The bird beak plates are typically mounted on the rear bumper bar with 4 x self drilling screws or rivets (screws/rivets not supplied).

Typical install pictured on the right >

Note: Attach the bird beak plates as close to the ends of the bar as possible to minimise clashing with the sliding beds.

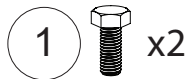


# Option B - Installation Instructions

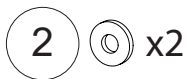
Bed Fly Conversion Kit

## Step 2. Installing Bolts Mounting Hardware

Contents of 1 x Bolts Mounting Hardware Kit | SKU: BFCKHW02



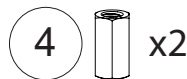
Hex Head Bolt



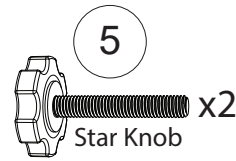
Plain Washer



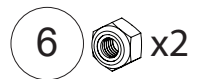
Plain Nut



Hex Coupling



Star Knob



Nylon Lock Nut

The steps below describe the installation of the bolts mounting hardware on one side only, you'll complete these steps twice for each end which you wish to use bolts mounting on.

### Step 1. Drill an 8.5mm hole at position (A)

**Tip 1:** When choosing where to drill the hole, ensure that you can get access to the rear of the planned hole with a spanner/socket so that you can adequately tighten the bolt in step 2.

**Tip 2:** Check the position of the proposed hole to ensure that your upright pole (pole 4) can reach the bed fly and also the mounting position without obstructing any side access hatches or clashing on pole carriers/stone guards.



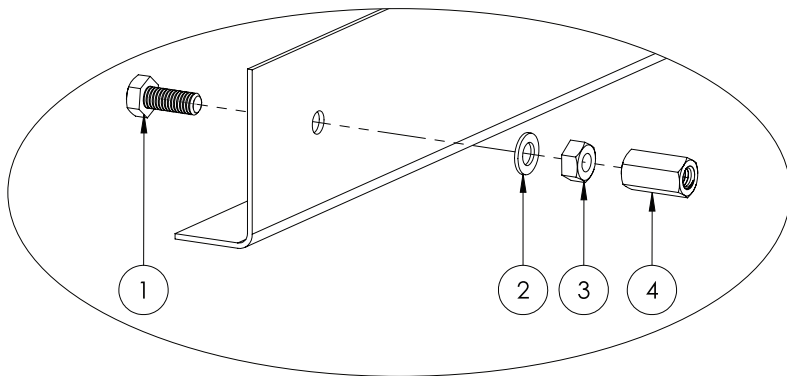
(A)

The hole location pictured here may be different to your preferred location after reading tip 1 & 2 above.

### Step 2. Assemble Hardware as shown below

Through the hole which you have just drilled, thread the hex head bolt through from the rear and install the washer and plain hex nut. Tighten the hex nut before installing the coupling and tightening the coupling.

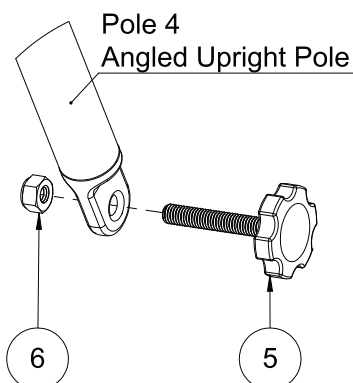
**Note:** Two types of M8 nuts are supplied in the kit. Ensure you use the **plain hex nut at this point** (not the nylon lock nut)



### Step 3. Assemble Star Knob and Lock Nut to Pole

Pass the Star knob through the bow end insert of the upright poles and secure it in place using the nylon lock nut.

**Note:** Two types of M8 nuts are supplied in the kit. Ensure you use the **nylon lock nut at this point**



The Nylon lock nut can be identified as it has a small piece of nylon on one face of the nut



Plain Nut



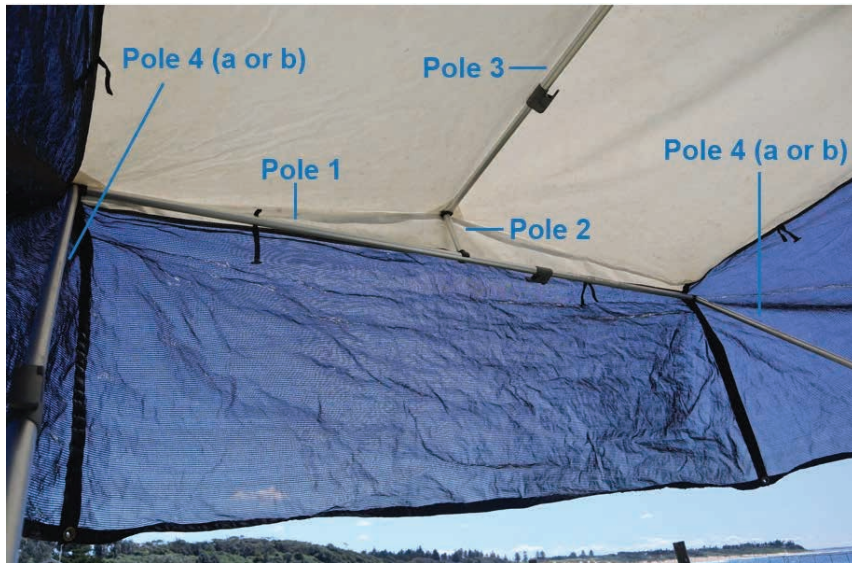
Nylon Lock Nut



# Option B - Installation Instructions

Bed Fly Conversion Kit

## Step 3. Erecting the bed fly



The numbered poles above match the pole #'s used on Page 2

Begin with the trailer roof wound down.

1. Begin by securing the two angled uprights [Pole 4 (a or b)] into their appropriate mounting positions on the trailer.



Pole 4a and bolts mounting



Pole 4b and bird beak plate mounting

2. Pass the straight spigot on pole 4 through the ends of the horizontal spreader bar (Pole 1) and then through the eyelet on the bed fly. Complete this again for the second Pole 4.

4. Connect pole 3 to the van using the bent spigot and roof rafter bracket.

3. Extend the horizontal spreader bar (pole 1) to remove slack in the bed fly.

5. Clip Pole 2 onto the horizontal spreader bar (pole 1) and now pass the spigot on pole 2 through the bow end insert on pole 3.

6. Extend the roof rafter pole (pole 3) comfortably to take up any slack. Extend both the angled uprights before winding the roof up