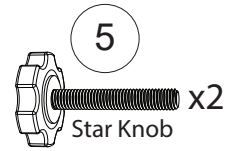
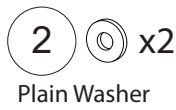


Installation Instructions

Bolts Mounting Hardware

Bed Fly Conversion kit Bolts Mounting Hardware

Contents of 1 x Bolts Mounting Hardware Kit | SKU:BFCKHW02

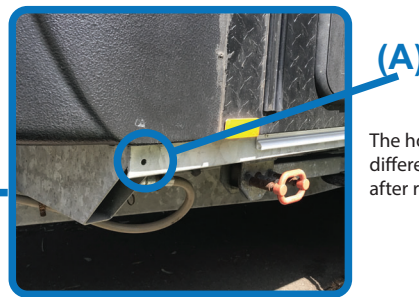


The steps below describe the installation of the bolts mounting hardware on one side only, you'll complete these steps twice for each end which you wish to use bolts mounting on.

Step 1. Drill an 8.5mm hole at position (A)

Tip 1: When choosing where to drill the hole, ensure that you can get access to the rear of the planned hole with a spanner/socket so that you can adequately tighten the bolt in step 2.

Tip 2: Check the position of the proposed hole to ensure that your upright pole (pole 4) can reach the bed fly and also the mounting position without obstructing any side access hatches or clashing on pole carriers/stone guards.

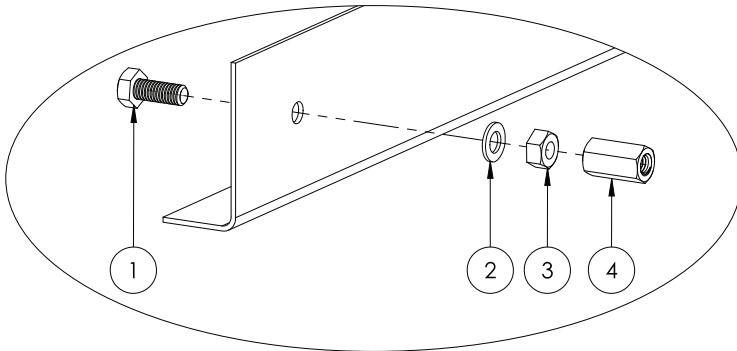


The hole location pictured here may be different to your preferred location after reading tip 1 & 2 above.

Step 2. Assemble Hardware as shown below

Through the hole which you have just drilled, thread the hex head bolt through from the rear and install the washer and plain hex nut. Tighten the hex nut before installing the coupling and tightening the coupling.

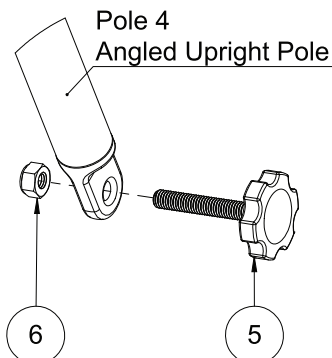
Note: Two types of M8 nuts are supplied in the kit. Ensure you use the **plain hex nut at this point** (not the nylon lock nut)



Step 3. Assemble Star Knob and Lock Nut to Pole

Pass the Star knob through the bow end insert of the upright poles and secure it in place using the nylon lock nut.

Note: Two types of M8 nuts are supplied in the kit. Ensure you use the **nylon lock nut at this point**



The Nylon lock nut can be identified as it has a small piece of nylon on one face of the nut



Plain Nut



Nylon Lock Nut