

# AUSSIE TRAVELLER PTY LTD

Incorporated in Queensland A.C.N. 010 809 168 A.B.N. 81 010 809 168

## *Anti Flap Kit and Walls for Roll Out Awnings*

### **Anti Flap Kit and Walls User/Operating Instructions**

1. Erect awning as per manufacturers' instructions. Ensure the frameset/roller is set at the predetermined height to suit the wall measurements.
2. Ensure the roller pull strap sail track is positioned at approximately 9 o'clock (left end) or 3 o'clock (right end) as per diagram 1. This will allow rain water to run off the fabric.
3. It is our recommendation that the awning frameset leg remains attached to the bottom of the van. If you elect to disengage the legs and relocate them into the patio position please ensure the awning user instructions are followed as the wrong procedures could cause damage to occur to the ratchet mechanism of the roller. If the legs are disengaged, ropes, straps and pegs should be used to firmly fix the awning to the ground.
4. Release the locking cam handles and ensure the top clamp section of the AFK is in the open position. Slide the two sections of the AFK together. Refer to diagram 2.
5. Fit the pole end into the wall bracket fixed to side of van. Ensuring the top clamp section of the AFK is in the open position, lift up the AFK until the AFK rests under the awning fabric. Extend the AFK out until the spigot fits into the hole in the roller. Ensure the AFK is fully extended and tighten the knurl knob. Refer to diagram 3, 3A and 3B.
6. Hold the fabric in position on top of the AFK at the gap in middle of the two sections with one hand and tighten the locking cam handles with the other hand. Refer to diagram 3B. Ensure the fabric is fully secured at the gap between the two sections of the AFK.

The outside edges of the fabric should now be securely clamped with minimal deflection in the line of the fabric. I.e. The fabric should not be pulled down or lifted up at the points of entry and exit of the AFK. Refer to diagram 4.

The walls can now be attached.

7. Clip the wind skirt to the bottom of the van. Slide the long side wall through the pull strap sail track of the roller. Ensure the roller is positioned at approximately 9 o'clock (left end) or 3 o'clock (right end). The ends of the wall should fall in line with the AFK's.
8. Slide the two end walls into the sail track on the inside of the AFK. Start from the gap in the centre of the AFK and slide the wall back towards the van and then forward towards the roller.
9. To seal the end walls to the van two returns are supplied, one for each end. Slide the return (touch tape to the outside) up the vertical sail track on the side of the van wall and fix the "S" hook into the wall bracket. Slide the return down the sail track on the wind skirt and press the end wall and return touch tape together.

NOTE: For pop tops see diagram 5.

100007B 1/3

HEAD OFFICE AND FACTORY:

PO Box 126 Clontarf Beach QLD 4019  
11-15 Oasis Court, Clontarf, QLD 4019  
Phone : 07 3284 3284 Fax : 07 3284 5969  
E-mail : [enquiries@aussietraveller.com.au](mailto:enquiries@aussietraveller.com.au)

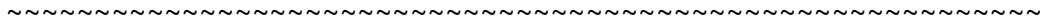
MELBOURNE SHOW ROOM

PO Box 563 Somerton Vic 3062  
34-36 Merola Way, Campbellfield VIC  
Ph: 03 9357 6565 Fx: 03 9357 6515  
E-mail: [info@aussietraveller.com.au](mailto:info@aussietraveller.com.au)

For more information visit [www.CaravanMods.com.au](http://www.CaravanMods.com.au) or Call us today (02) 9806 3055

# AUSSIE TRAVELLER PTY LTD

Incorporated in Queensland A.C.N. 010 809 168 A.B.N. 81 010 809 168

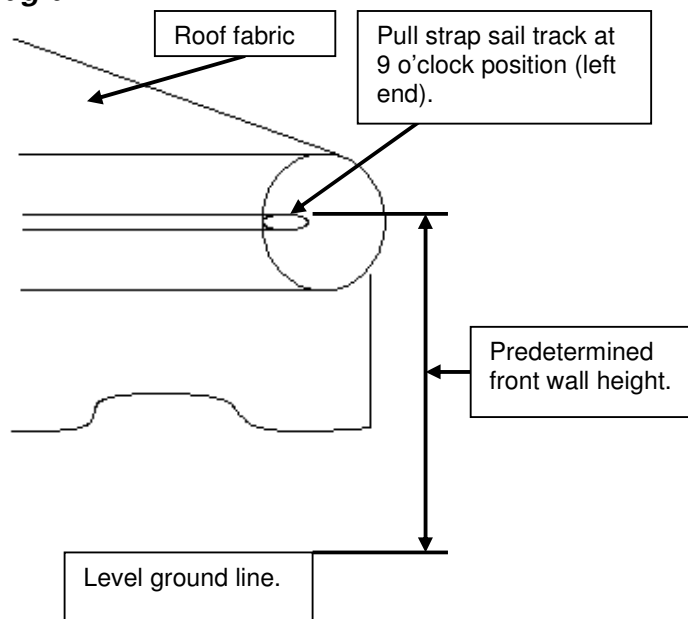


10. Zip the outside edges of the end walls to the long side wall and position the two legs provided into the holes drilled in the roller on the outside edges of the walls. Touch tape the walls to the legs.
11. Peg the legs and the walls securely to the ground.
12. If additional bracing is desired for the walls extra poles can be added and touch tape pole ties sewn in to the walls. The poles are located on the outside for the long side wall and on the inside for the front and rear end walls. Holes are drilled in the roller to accept the long side wall poles and fitting AFK Pole Brackets will accommodate the front and rear end wall poles.

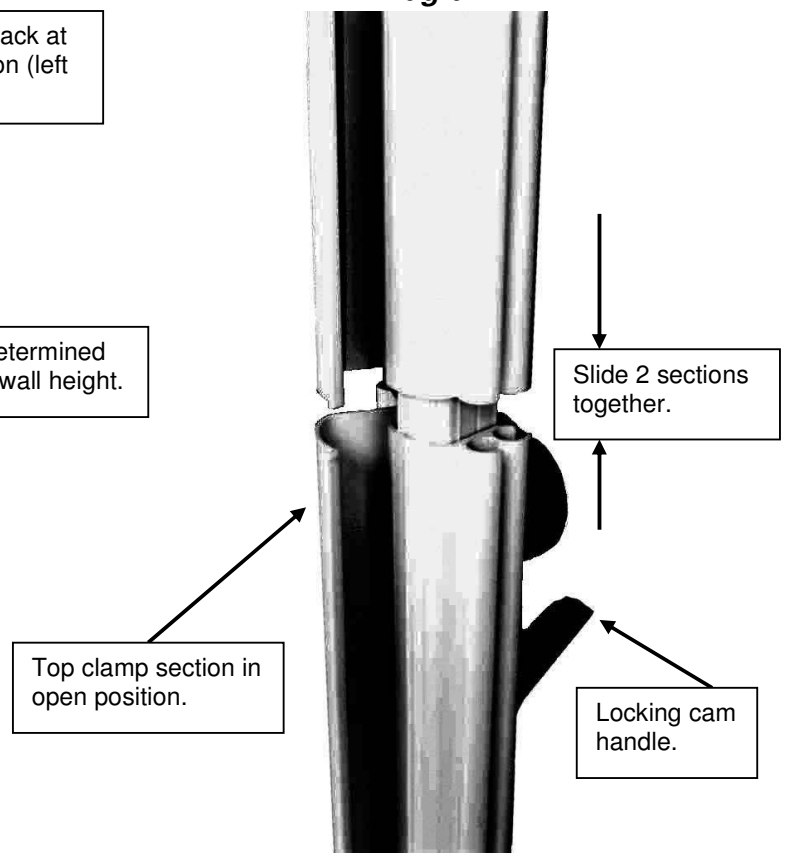
## Helpful Hints - If you intend to set up the awning and walls at the same time:

1. When erecting the awning over extend the roller so the pull strap sail track is positioned at the 6 o'clock position (at the bottom) before attempting to fit the AFK's.
2. Slide the long side wall into pull strap sail track of the roller. And then rotate the roller back to the 9 o'clock (left end) or 3 o'clock (right end) position. (Refer to awning user/operating instructions).
3. Continue normal process of attaching the AFK's as per the instructions above.

**Diagram 1**



**Diagram 2**



**HEAD OFFICE AND FACTORY:**  
PO Box 126 Clontarf Beach QLD 4019  
11-15 Oasis Court, Clontarf, QLD 4019  
Phone : 07 3284 3284 Fax : 07 3284 5969  
E-mail : [enquiries@aussietraveller.com.au](mailto:enquiries@aussietraveller.com.au)

**MELBOURNE SHOW ROOM**  
PO Box 563 Somerton Vic 3062  
34-36 Merola Way, Campbellfield VIC  
Ph: 03 9357 6565 Fx: 03 9357 6515  
E-mail : [info@aussietraveller.com.au](mailto:info@aussietraveller.com.au)

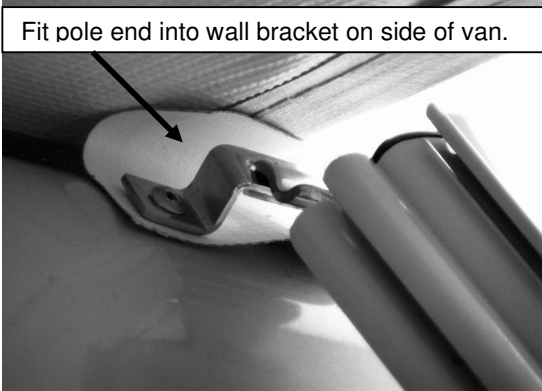
# AUSSIE TRAVELLER PTY LTD

Incorporated in Queensland A.C.N. 010 809 168 A.B.N. 81 010 809 168

100007B 2/3

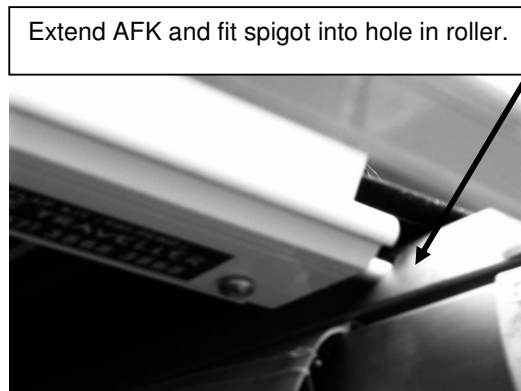
**Diagram 3**

Fit pole end into wall bracket on side of van.



**Diagram 3A**

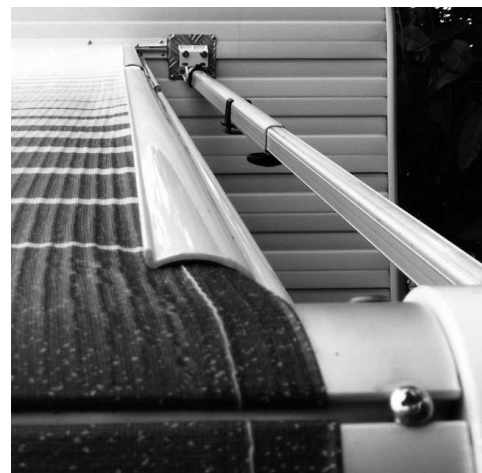
Extend AFK and fit spigot into hole in roller.



**Diagram 3B**



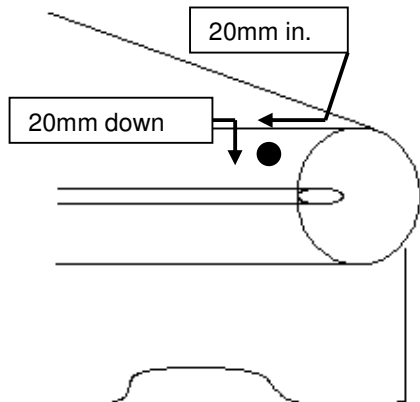
**Diagram 4**



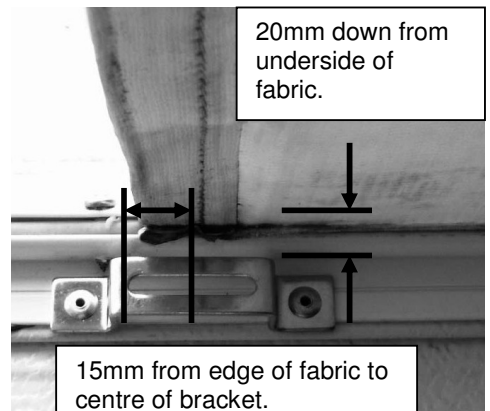
**Diagram 5**



## Anti Flap Kit and Walls Fitting Instructions



Drill a 3/8" hole 20mm in from the edge of the fabric and 20mm down from the underside of the fabric on both ends of the roller tube.



Wall bracket position.

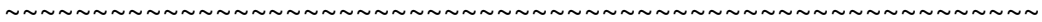
**HEAD OFFICE AND FACTORY:**  
PO Box 126 Clontarf Beach QLD 4019  
11-15 Oasis Court, Clontarf, QLD 4019  
Phone : 07 3284 3284 Fax : 07 3284 5969  
E-mail : [enquiries@aussietraveller.com.au](mailto:enquiries@aussietraveller.com.au)

**MELBOURNE SHOW ROOM**  
PO Box 563 Somerton Vic 3062  
34-36 Merola Way, Campbellfield VIC  
Ph: 03 9357 6565 Fx: 03 9357 6515  
E-mail: [info@aussietraveller.com.au](mailto:info@aussietraveller.com.au)

For more information visit [www.CaravanMods.com.au](http://www.CaravanMods.com.au) or Call us today (02) 9806 3055

# AUSSIE TRAVELLER PTY LTD

Incorporated in Queensland A.C.N. 010 809 168 A.B.N. 81 010 809 168



100007B 3/3

HEAD OFFICE AND FACTORY:

PO Box 126 Clontarf Beach QLD 4019  
11-15 Oasis Court, Clontarf, QLD 4019  
Phone : 07 3284 3284 Fax : 07 3284 5969  
E-mail : [enquiries@aussietraveller.com.au](mailto:enquiries@aussietraveller.com.au)

MELBOURNE SHOW ROOM

PO Box 563 Somerton Vic 3062  
34-36 Merola Way, Campbellfield VIC  
Ph: 03 9357 6565 Fx: 03 9357 6515  
E-mail: [info@aussietraveller.com.au](mailto:info@aussietraveller.com.au)

For more information visit [www.CaravanMods.com.au](http://www.CaravanMods.com.au) or Call us today (02) 9806 3055