



SHURFLO® RV FRESH WATER PUMP - TRAIL KING II

INSTALLATION & OPERATION MANUAL FOR USE ON RV / CARAVANS

MODEL SERIES 4029 & 4009

SHURFLO water pumps meets all essential health and safety standards and are in conformance with European standards for Electromagnetic Compatibility (EMC). Specific declarations of conformity are available on request.

INSTALLATION GUIDELINE DETAILS

The goal of installation is quiet pump operation, achieving desired water flow, low back pressure and easy maintenance. This can be accomplished by following these guidelines:

- Pump should be located in an area that is dry & provides adequate ventilation.
- Mount on a **solid surface** in an **accessible location** for strainer cleaning and pump maintenance.
- Use **flexible high-pressure hose** on the pump inlet and outlet [such as **SHURFLO Kit 94-591-01**].
- The pump inlet- and outlet- ports and strainer **should not** be connected to rigid plastic pipe; otherwise the normal pump action will transmit cavitation through rigid plumbing causing noise and possible loosening or cracking components.
- The pump must be installed with an adequate 50-mesh **strainer** [such as SHURFLO 255 series strainers].
- Plumbing must have a minimum Inner Diameter of **13mm [1/2"]**. Smaller ID plumbing will cause cavitation, high back-pressure, low flow and noise.

MOUNTING

- Mount the pump on a solid surface to prevent vibration and noise.
- Mount the pump within 1.8 Meters [6 feet] of the water storage tank for best performance and pump life. Although the pump can pull further, the further it pulls the harder it runs increasing vibration and noise, and reducing output and pump life.
- Mount the pump in a space of at least 1 cubic foot for adequate ventilation to prevent the electric motor overheating.

- 1/2" Male threaded models are intended to be used with SHURFLO swivel barb fittings which seal with an internal taper when hand tightened. CAUTION: Sealers and Teflon tape may act as a lubricant causing cracked housings or stripped threads due to over tightening. Sealer may enter the pump inhibiting valve action, causing no prime or shut-off. A failure due to foreign debris is not covered under warranty.

- Reduce restrictions on the pump inlet and outlet. This includes any shut-off valves, winterizing valves and elbows with smaller inner diameters.

- There is no requirement to use an accumulator tank with 4009 Series by-pass pumps.

- The pump is designed for intermittent duty only. Do not use these pumps for running a Reverse-Osmosis [RO] filtration system. High pressure and continuous duty usage will shorten the life of the pump and is not covered under warranty.

- Wire Size is 16 GA the **MINIMUM**, 12 GA is recommended (please **See Wire Chart** in Electrical Section [back page figure-1] for wire sizing).

- The minimum power circuit requirement is 10 Amps.

- **Reduce restrictions on the inlet and outlet.** This includes small inner diameter shut-off valves, winterizing valves and elbows.

PLUMBING

- Installation of a strainer prior to the pump inlet is required to prevent debris from entering the pump. If a strainer is not installed prior to the pump then the warranty is not valid.

- For noise and vibration reduction use at least 0.5M [18 in.] of 13mm [1/2"] I.D. flexible high-pressure hose connected to both inlet- and outlet- ports. These hose should be anchored where it meets the hard plumbing to reduce plumbing vibration. The pump ports and strainer should not be connected to rigid plastic pipe.

- Installation of a check valve between the pump and the water heater (if applicable) will prevent damages to the pump and the city water entry due to high pressure spikes from the water heater.

ELECTRICAL

- The pump works best on an individual filtered circuit, protected by the fuse or breaker specified on the pump label.

- A 15-Amp switch is recommended and should be attached to the positive lead.

- Proper wire sizing is required for good pump operation. If the wire is too small, low voltage will affect the pump performance and can create hazard.

- **SHUT OFF POWER TO THE PUMP WHEN LEAVING THE RV/CARAVAN UNATTENDED.**

PUMP W/ ADJUSTABLE PRESSURE SWITCH "OPERATION"

Restrictions in a plumbing system may cause the pump to rapid cycle (ON/OFF within 2 sec.) during low flow demands. Cycling should be minimized to prevent pulsating flow and to achieve maximum pump life. To determine if adjustment is necessary, turn tap on to lower than average flow of water. The pump should cycle, but its "OFF time" must be 2 seconds or longer. If the cycling is correct, leave well enough alone. If the pump is cycling rapidly increase the setting by turning the screw clockwise (1/2 TURN to 3/4 TURN MAX.) until the pump operates for 1 second with at least 2 seconds "OFF time". If cycling cannot be minimized consider removing plumbing restrictions or simply install a SHURFLO Accumulator.

PUMP W/ ADJUSTABLE BY-PASS & ADJUSTABLE PRESSURE SWITCH "OPERATION"

The pump operates normally up to about 1 Bar [15 psi] by-pass pressure, where a spring-loaded by-pass valve opens, allowing flow back from the output side to the input side, providing smooth, steady flow with virtually no cycling, all the way down to a trickle. As a faucet is opened, the pressure will drop, the by-pass will close and full flow is achieved. This allows good flow, even with today's commonly used restrictive showers and pullout sprayer faucets. Performance will vary, of course, depending on the voltage to the pump: lower voltage = lower flow, higher voltage = higher flow. Always be cautious and practice electrical safety. It is always best to shut off power to the pump when leaving the RV/Caravan unattended.

ABOUT THE BY-PASS

The by-pass is a spring loaded diaphragm that, when open allows water from the discharge side back to the inlet side. If the switch or by-pass are adjusted too much, the by-pass and switch shut-off can overlap and **THE PUMP WILL NOT SHUT OFF**. Screwing the switch screw in clockwise will raise the shut-off pressure. Unscrewing the switch screw counterclockwise will lower the pump shut-off pressure. Screwing the by-pass screw in will raise the pressure at which the by-pass starts and raise the full by-pass pressure. Unscrewing the by-pass screw counterclockwise will lower the pressure at which by-pass starts and lower the full by-pass pressure.

WARNING: If full by-pass is reached before the shut-off setting, the pump will not shut off. Full by-pass pressure setting should be at least 0.48 bars [7 psi] higher than pump shut off pressure.

MAINTENANCE

Checking and cleaning the strainer, normal sanitizing and winterizing and occasional checking all plumbing hardware and fittings for tightness is all that is normally required. Lack of sanitizing is the number one reason for premature pump failure and poor performance over time. Lack of sanitizing will cause scale build-up on the diaphragm and valves, causing low flow and leak back (occasionally pump cycling with no faucets open or tank filling up when hooked up to city water).

SANITIZING

Potable water systems require periodic maintenance to keep components working properly and deliver a consistent flow of fresh water. Sanitizing is recommended: prior to storing, after a period of storage, or any time the system is opened or contaminated, as follows: **NOTE: Check your Vehicle Owner's Manual for specific instructions. By-pass any filters or remove filter cartridges.**

1. Determine the amount of common household bleach needed to sanitize the tank.
 - A) 2 ounces of bleach per 15 gallons tank size: 60 gallon tank [15 x 4] = 4 x 2 ounces = 8 ounces of bleach.
 - B) 1 ml bleach per 1 liter tank size: 300 liter tank = 300 milliliters of bleach.
2. Mix the bleach with water in a container such as a gallon jug. If tank is filled through a pressurized fitting, pour the bleach into the hose before attaching the hose to the city water entry.
3. Pour the bleach solution into the tank and fill the tank with potable water. Rock the RV back and forth to coat top and sides of potable water tank.
4. Open all faucets (Hot & Cold) allowing the water to run until the odor of chlorine is detected. Allow four (4) hours of contact time to disinfect completely. Doubling the solution concentration allows for a contact time of one (1) hour.
5. Drain the tank. Refill the tank and flush the system once or twice until the odor has decreased. The residual chlorine odor and taste is not harmful.

WINTERIZING

Refer to the vehicle owner's manual for specific winterizing instructions.

If water is allowed to freeze in the system, serious damage to the plumbing and pump may occur. Failures of this type will void the warranty. The best guarantee against damage is to completely drain the pump and perform the following:

1. Drain the water tank. If the tank doesn't have a drain valve, open all faucets allowing the pump to operate until the tank is empty.
2. Open all the faucets (including the lowest valve or drain in the plumbing), allow the pump to purge the water from the plumbing, and then turn the pump OFF.
3. Using a pan to catch the remaining water, remove the plumbing at the pump's inlet/outlet ports. Turn the pump ON, allowing it to operate until the water is expelled. Turn OFF power to the pump once the plumbing is emptied. Do not reconnect the pump plumbing. Make a note at tank filler as a reminder: "Plumbing is disconnected".
4. All faucets must be left open to guard against any damage.
5. Potable anti-freeze may be poured down drains and toilets to protect p-traps and toilet seals. Sanitize the plumbing system before putting the plumbing system back in service.

TROUBLESHOOTING

Vibration induced by driving can loosen plumbing, strainers and pump hardware. Check for system components that are loose. Also, refer to the chart below for trouble-shooting tips.

PUMP WILL NOT START/ BLOWS CIRCUIT

- ✓ Electrical connections, fuse or breaker, main switch, and ground connection.
- ✓ Is the motor hot? Thermal breaker may have triggered; it will reset when cool.
- ✓ Is voltage present at the switch? Bypass pressure sw. Does the pump operate?
- ✓ Charging System for correct voltage ($\pm 10\%$) and good ground.
- ✓ For an open or grounded circuit, or motor; or improperly sized wire.
- ✓ For seized or locked diaphragm assembly (water frozen?).

WILL NOT PRIME/SPUTTERS (No discharge/Motor runs)

- ✓ Is the strainer clogged with debris?
- ✓ Is there water in the tank, or has air collected in the hot water heater?
- ✓ Is the inlet tubing/plumbing sucking in air at plumbing connections (vacuum leak)?
- ✓ Is inlet/outlet plumbing severely restricted or kinked? Restrictive valves?
- ✓ Proper voltage with the pump operating ($\pm 10\%$).
- ✓ For debris in pump inlet/outlet valves or swollen/dry valves.
- ✓ Pump housing for cracks or loose drive assembly screws.

RAPID CYCLING

- ✓ For restrictive plumbing and flow restrictions in faucets/shower heads.
- ✓ Water filter/purifier should be on separate feed line.
- ✓ Shut-off pressure set too low.

PUMP WILL NOT SHUT-OFF / RUNS WHEN NOZZLE IS CLOSED

- ✓ Output side (pressure) plumbing for leaks, and inspect for leaky valves or toilet.
- ✓ For air trapped in outlet side (water heater) or pump head.
- ✓ For correct voltage to pump ($\pm 10\%$).
- ✓ For loose drive assembly or pump head screws.
- ✓ Are the valves held open by debris or is the rubber swollen?
- ✓ Pressure switch operation. By-pass set higher than shut-off.

NOISY OR ROUGH OPERATION

- ✓ For plumbing which may have vibrated loose.
- ✓ For a restricted inlet (clogged strainer, kinked hose, restrictive valves).
- ✓ Is the pump plumbed with rigid pipe causing noise to transmit?
- ✓ Does the mounting surface amplify noise (flexible)? Does it bang like a drum?
- ✓ For mounting feet that are loose or are compressed too tight.
- ✓ For air in the system. Check all fixtures for air and bleed system.
- ✓ The motor with pump head removed. Is noise from motor or pump head?

LEAKS FROM PUMP HEAD OR SWITCH

- ✓ For loose screws at switch or pump head.
- ✓ Switch diaphragm ruptured or pinched.
- ✓ For punctured diaphragm if water is present in drive assembly.

SERVICE KITS (see page 24)

1. Pressure switch
2. Switch/Check valve and Upper Housing
3. Valve assembly
4. Drive assembly
5. Motor
6. Check valve (not shown)

REPAIR KITS

NUMBER	4029-110-X02	4029-110-X03	4029-110-X04	4029-181-X32	4009-101-X32	4009-101-X54	4009-101-A65	4009-101-X87	4009-131-X54
1	94-806-00	94-806-01	94-806-02	94-890-00	94-890-00	94-890-01	94-800-05	94-890-02	94-890-01
2	94-890-13	94-890-14	94-890-15	94-890-07	94-890-07	94-890-09	94-800-00	94-890-08	94-890-09
3	94-800-01	94-800-01	94-800-01	94-800-01	94-800-01	94-800-01	94-800-01	94-800-01	94-800-01
4	94-890-16	94-890-16	94-890-16	94-800-02	94-800-02	94-800-02	94-800-02	94-800-02	94-800-02
5	94-11-307-00CE	94-11-307-00CE	94-11-307-00CE	94-11-189-005	94-11-302-00CE	94-11-302-00CE	94-11-302-00CE	94-11-302-00CE	94-11-303-00
Check Valve (N/S)	94-800-03	94-800-03	94-800-03	94-800-03	94-800-03	94-800-03	94-800-03	94-800-03	94-800-03
1, 2, 3, 4	94-890-10	94-890-11	94-890-12	94-890-05	94-890-05	94-890-04	94-800-04	94-890-06	94-890-04

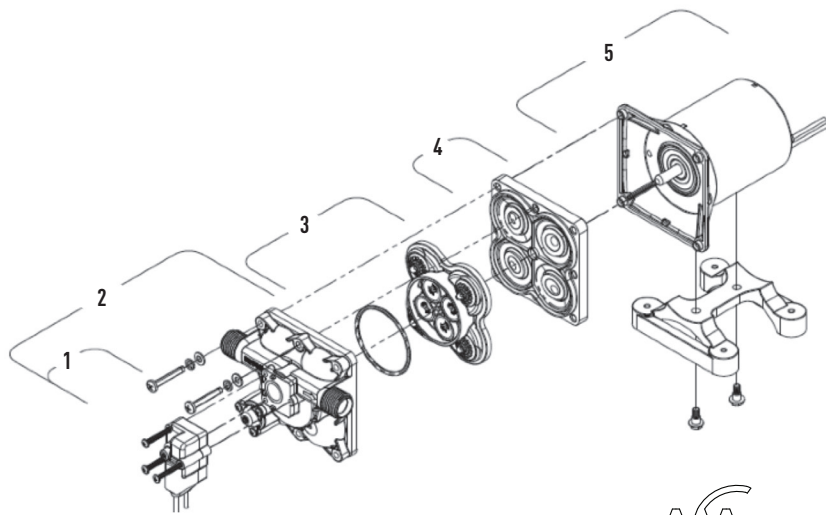
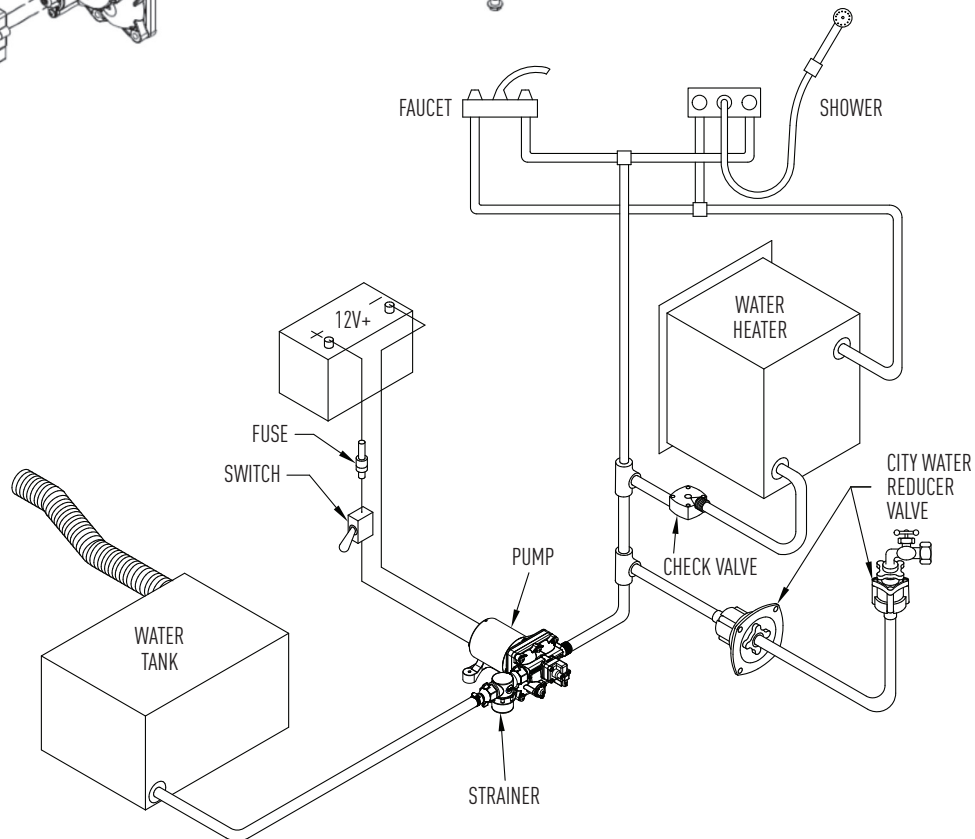


Figure - 1

Feet [m]		AWG [mm ²]	
0-25	[0-7.6]	16	[1.3]
25-50	[7.6-15.2]	14	[2.1]
50-70	[15.2-21.3]	12	[3.3]
70-110	[21.3-33.5]	10	[5.3]

Minimum Wire Size for a 10% voltage drop on a 12VDC, 10 Amp Circuit. Length is the distance from the power source to pump and back to ground.



SHURFLO® BOMBA DE AGUA DULCE PARA AUTOCARAVANAS: TRAIL KING II MANUAL DE INSTRUCCIONES / MANUAL DEL PROPIETARIO PARA USO EN AUTOCARAVANAS/CARAVANAS

SERIES 4029 Y 4009

Las bombas de agua SHURFLO cumplen todas las normas esenciales de sanidad y seguridad, así como las normas europeas en materia de compatibilidad electromagnética (CEM). Las declaraciones de conformidad específicas están disponibles a petición.

INSTRUCCIONES DE INSTALACIÓN

El objetivo de la instalación es un funcionamiento silencioso, logrando el flujo de agua deseado, baja contrapresión y mantenimiento sencillo. Todo ello resulta sencillo si se siguen estas instrucciones:

- Se debe colocar la bomba en un área seca con una ventilación adecuada.
- Monte sobre una **superficie firme** en un lugar de **fácil acceso** para realizar las tareas de limpieza del prefiltro y mantenimiento de la bomba.
- Instale una manguera flexible de alta presión en las tomas de entrada y salida de la bomba [como Kit **SHURFLO 94-591-01**].
- Las tomas de entrada y salida de la bomba y el prefiltro de la bomba **no deben** conectarse a un tubo de plástico rígido; de hacerlo, la acción normal de la bomba transmitirá cavitación a las tuberías rígidas provocando ruidos y un posible aflojamiento o agrietamiento de los componentes.
- La bomba debe instalarse con un **prefiltro** de malla 50 adecuado [como los prefiltros SHURFLO de la Serie 255].

MONTAJE

- Monte la bomba sobre una superficie firme para impedir vibraciones y ruidos.
- Monte la bomba a 1,8 metros del depósito de almacenamiento de agua para mejorar el rendimiento y prolongar la vida útil de la bomba. Aunque la bomba puede alejarse más, cuanto más se aleje más le costará funcionar, lo que aumentará la vibración y el ruido y reducirá el rendimiento y la vida útil de la misma.
- Monte la bomba en un espacio de un mínimo de 1 pie cúbico para lograr una ventilación adecuada e impedir así el sobrecalentamiento del motor eléctrico.
- La bomba puede montarse en cualquier sentido.
- Coloque la bomba de forma que se obtenga fácil acceso a la misma para las tareas de limpieza del prefiltro, mantenimiento y servicio.
- La bomba no ha sido diseñada para ser inundada y debe estar protegida contra la humedad, el polvo y la suciedad. La garantía no cubre fallas provocadas por estas condiciones.

■ Las tuberías deben tener un diámetro interior mínimo de **13 mm**. Tuberías con un DI más pequeño provocarán cavitación, alta contrapresión, flujo bajo y ruido.

■ Los modelos con rosca macho de 1/2" (1.27 cm) han sido diseñados para usar con los accesorios SHURFLO de espiga articulada que se cierran con un cono interno cuando se aprietan a mano. **PRECAUCIÓN:** Los selladores y la cinta de Teflón pueden actuar como un lubricante provocando rajaduras en la caja o desgaste en las roscas si se aprietan demasiado. El sellador puede entrar en la bomba, inhibiendo la acción de la válvula, evitando que la bomba cebe o haciendo que se apague. La garantía no cubre fallas provocadas por escombros extraños.

■ Reduzca las limitaciones en las tomas de entrada y salida de la bomba. Esto incluye válvulas de cierre, válvulas para acondicionamiento invernal y codos con diámetros interiores más pequeños.

■ No es necesario utilizar un tanque acumulador con las bombas de By-pass de la Serie 4009.

■ La bomba está diseñada exclusivamente para ofrecer un servicio intermitente. No utilice estas bombas con un sistema de filtración por ósmosis inversa (O.I.). Una presión alta y un servicio continuo acortarán la vida útil de la bomba y no están cubiertos por la garantía.

■ El calibre **MÍNIMO** del cable es de 16 GA y el calibre recomendado es de 12 GA (consulte la **Tabla de calibres del cable** (figura 1 de la contraportada) para consultar los calibres del cable.

■ El circuito debe tener una potencia mínima de 10 amperios.

■ **Reduzca las limitaciones en las tomas de entrada y salida.** Esto incluye válvulas de cierre, válvulas para acondicionamiento invernal y codos con diámetros interiores pequeños.

SISTEMA DE FONTANERÍA

■ Es necesario instalar un prefiltro antes de la toma de entrada de la bomba para impedir la entrada de residuos en la misma. Si no se instala un prefiltro antes de la bomba, la garantía quedará invalidada.

■ Para reducir el ruido y la vibración, utilice como mínimo 0,5 m de tubo de alta presión flexible con D.I. de 13 mm conectado a las tomas de entrada y salida. Este tubo flexible debe anclarse en el punto de conexión con la cañería para reducir la vibración de la misma. Las tomas de la bomba y el prefiltro no deben conectarse a un tubo de plástico rígido.

■ La instalación de una válvula de retención entre la bomba y el calentador de agua (si corresponde) evitará daños a la bomba y la entrada de aguas municipales debido a picos desde el calentador de agua.

SISTEMA ELÉCTRICO

■ La bomba funciona mejor en un circuito de filtración individual, protegida por el fusible o el disyuntor especificado en su etiqueta.

■ Se recomienda un interruptor de 15 amperios, que debe conectarse al polo positivo.

■ Para lograr un buen rendimiento de la bomba se requiere un cable del calibre correcto. Si el calibre del cable es demasiado pequeño, el bajo voltaje afectará al rendimiento de la bomba y puede crear un peligro.

■ **SI SE AUSENTE DE LA AUTOCARAVANA/CARAVANA, DESCONECTE LA CORRIENTE ELÉCTRICA DE LA BOMBA.**

BOMBA CON PRESÓSTATO REGULABLE

Las limitaciones en el sistema de fontanería pueden provocar el funcionamiento cíclico rápido de la bomba (encendido/apagado en 2 segundos) durante bajas demandas de flujo. El funcionamiento cíclico debe reducirse al mínimo para impedir un flujo vibrante y prolongar al máximo la vida útil de la bomba. Para determinar la necesidad de un ajuste, abra el grifo menos de la mitad. La bomba debe funcionar cíclicamente, pero su tiempo de apagado debe ser de 2 segundos o más. Si el funcionamiento cíclico es correcto, deje la bomba como está. Si el funcionamiento cíclico de la bomba es rápido, incremente el valor de ajuste girando el tornillo en sentido horario (de 1/2 VUELTA a 3/4 VUELTA como máximo) hasta que la bomba funcione durante 1 segundo con un mínimo de tiempo de apagado de 2 segundos. Si el funcionamiento cíclico no se puede minimizar, elimine limitaciones en el sistema de fontanería o instale un acumulador SHURFLO.

BOMBAS CON PRESÓSTATO REGULABLE Y VÁLVULA DE BY-PASS REGULABLE

Normalmente la bomba funciona con una presión de By-pass máxima de alrededor de 1 bar [15 psi], momento en que se abre una válvula de By-pass accionada por resorte, que permite que el flujo retorne desde el lado de salida hasta el lado de entrada. De este modo, se logra un flujo suave y uniforme sin fluctuaciones. Cuando se abre un grifo, la presión cae, la válvula de By-pass se cierra y se obtiene el flujo completo. Esto permite un flujo óptimo, incluso en las duchas reductoras de consumo y los grifos atomizadores extraíbles. Por supuesto, el rendimiento variará en función del voltaje de la bomba. Menor voltaje = menor flujo; mayor voltaje = mayor flujo. Adopte siempre las precauciones necesarias para garantizar la seguridad al utilizar aparatos eléctricos. Se recomienda desconectar la corriente eléctrica de la bomba al ausentarse de la autocaravana/caravana.

ACERCA DE LA VÁLVULA DE BY-PASS

La válvula de By-pass es un diafragma accionado por resorte que, al abrirse, permite el paso del agua desde el lado de descarga hasta el lado de entrada. Si el interruptor o la válvula de By-pass se ajustan demasiado, la válvula de By-pass y la desconexión del interruptor pueden solaparse y LA BOMBA NO SE DESCONECTARÁ. Si aprieta el tornillo del interruptor en sentido horario, la presión de desconexión aumentará. Si afloja el tornillo del interruptor en sentido antihorario, la presión de desconexión de la bomba se re-

ducirá. Si apriete el tornillo de la válvula de By-pass, aumentará la presión en la que se inicia el By-pass, así como la presión de By-pass completa. Si afloja el tornillo de la válvula de By-pass, disminuirá la presión en la que se inicia el By-pass, así como la presión de By-pass completa. **ADVERTENCIA:** Si la presión de By-pass completa se alcanza antes de la desconexión, la bomba no se desconectará. El valor de ajuste de la presión de By-pass completa debe ser un mínimo de 48 bar [7 psi] mayor que la presión de desconexión de la bomba.

MANTENIMIENTO

Es necesario comprobar y limpiar el prefiltro, realizar una desinfección y un acondicionamiento invernal normales y realizar una comprobación ocasional de las cañerías y las conexiones para comprobar que estén bien apretadas. La falta de desinfección es la principal razón del fallo prematuro de la bomba y de un mal rendimiento con el tiempo. La falta de desinfección provocará la acumulación de sarro en el diafragma y las válvulas, que a su vez provocará un flujo bajo y fugas (funcionamiento cíclico ocasional de la bomba sin que se abran los grifos o llenado del depósito si este está conectado a la red de agua municipal).

DESINFECCIÓN

Los sistemas de agua potable requieren un mantenimiento periódico para que todos los componentes funcionen correctamente y obtener un flujo de agua dulce uniforme. Se recomienda la desinfección: antes de guardar la bomba, después de un período de almacenamiento y siempre que el sistema se abra o se contamine. La desinfección se realiza del siguiente modo: **NOTA:** Consulte el manual de usuario de su vehículo para conocer instrucciones específicas. Derive los filtros o extraiga los cartuchos del filtro.

1. Determine la cantidad de lejía normal necesaria para desinfectar el depósito.

A) 2 onzas de lejía por cada 15 galones de volumen: depósito de 60 galones [15 x 4] = 4 x 2 onzas = 8 onzas de lejía.

B) 1 ml de lejía por cada litro de volumen: depósito de 300 litros = 300 ml de lejía

2. Mezcle la lejía con agua en un recipiente como una jarra. Si el depósito se llena a través de una conexión presurizada, vierta la lejía en el tubo flexible antes de conectar el tubo flexible a la toma de la red de agua municipal.

3. Vierta la solución de lejía en el depósito y llene el depósito de agua potable. Mueva la autocaravana hacia delante y hacia

atrás para cubrir la parte superior y los laterales del depósito de agua potable.

4. Abra todos los grifos (de agua caliente y fría) y deje correr el agua hasta notar olor a cloro. Deje actuar la solución de lejía durante cuatro (4) horas para desinfectar por completo. Si duplica la concentración de la solución, deje actuar la solución durante una (1) hora.

5. Vacíe el depósito. Vuelva a llenar el depósito y limpie a presión el sistema una o dos veces hasta que el olor se reduzca. El olor y el sabor al cloro residual no son perjudiciales.

ACONDICIONAMIENTO INVERNAL

Consulte el manual de usuario del vehículo para conocer las instrucciones de acondicionamiento invernal específicas.

Si el agua se congela en el sistema, puede provocar daños graves al sistema de fontanería y la bomba. Fallos de este tipo invalidarán la garantía. La mejor forma de evitar daños consiste en vaciar por completo la bomba y seguir este procedimiento:

1. Vacíe el depósito de agua. Si el depósito no tiene válvula de drenaje, abra todos los grifos para que la bomba funcione hasta que el depósito se vacíe.

2. Abra todos los grifos (incluida la válvula inferior o desagüe del sistema de fontanería), deje que la bomba purgue el agua de las cañerías y apague la bomba.

3. Utilizando un recipiente para recoger el agua restante, extraiga la cañería en las tomas de entrada y salida de la bomba. Encienda la bomba, dejándola funcionar hasta que salga el agua. Apague la bomba una vez vaciadas las cañerías. No vuelva a conectar la bomba a las cañerías. Pegue una nota en el depósito a modo de recordatorio: "Las cañerías están desconectadas".

4. Todos los grifos deben dejarse abiertos para protegerlos contra daños.

5. Puede verse anticongelante potable en los desagües e inodoros para proteger los sifones y sellos de inodoros. Desinfecte el sistema de fontanería antes de volver a utilizarlo.

LOCALIZACIÓN Y RESOLUCIÓN DE AVERÍAS

La vibración inducida por la conducción puede aflojar las cañerías, los prefiltros y la tornillería de la bomba. Compruebe el sistema para apretar estos componentes. Además, consulte la tabla que se ofrece más abajo para conocer algunos consejos.

LA BOMBA NO ARRANCA / FUNDE EL CIRCUITO

- ✓ Compruebe las conexiones eléctricas, el fusible o disyuntor, el interruptor principal y la conexión a masa.
- ✓ ¿El motor está caliente? El disyuntor térmico puede haberse activado; se restablecerá cuando la bomba se enfríe.
- ✓ ¿Hay voltaje en el interruptor? Compruebe el presóstato de By-pass. ¿La bomba funciona?
- ✓ Compruebe que el voltaje del sistema de carga es correcto ($\pm 10\%$), así como la conexión a masa.
- ✓ Compruebe si hay un circuito abierto o conectado a masa, compruebe el motor y compruebe que el cable es del calibre correcto.
- ✓ Compruebe si el conjunto del diafragma está agarrotado o bloqueado (¿agua congelada?).

LA BOMBA NO SE CEBA / CHAPOTEO (Sin descarga/el motor funciona)

- ✓ ¿El prefiltro está obstruido por los residuos?
- ✓ ¿Hay agua en el depósito o hay aire en el calentador de agua caliente?
- ✓ ¿Entra aire por las conexiones de la tubería/cañería de entrada (fuga de vacío)?
- ✓ ¿La cañería de entrada/salida está muy confinada o doblada? ¿Válvulas limitadoras?
- ✓ Compruebe si el voltaje es correcto con la bomba en funcionamiento ($\pm 10\%$).

- ✓ Compruebe si hay residuos en las válvulas de entrada/salida de la bomba o si hay válvulas hinchadas/secas.
- ✓ Compruebe la carcasa de la bomba por si hubiera grietas o se hubieran aflojado los tornillos del conjunto de accionamiento.

FUNCIONAMIENTO CÍCLICO RÁPIDO

- ✓ Compruebe si hay limitaciones en las cañerías y restricciones de flujo en los grifos/alcachofas.
- ✓ El filtro/purificador de agua debe acoplarse a una línea de alimentación distinta.
- ✓ Compruebe si la presión de desconexión es demasiado baja.

LA BOMBA NO SE DESCONECTA / FUNCIONA CUANDO EL GRIFO ESTÁ CERRADO

- ✓ Compruebe las cañerías (presión) del lado de salida para ver si hay fugas y compruebe si hay fugas en las válvulas o el inodoro.
- ✓ Compruebe si hay aire atrapado en el lado de salida (calentador de agua) o en el cabezal de la bomba.
- ✓ Compruebe que la bomba recibe el voltaje correcto ($\pm 10\%$).
- ✓ Compruebe si el conjunto de accionamiento o los tornillos del cabezal de la bomba están flojos.
- ✓ ¿Las válvulas se quedan abiertas debido a los residuos o la goma está hinchada?
- ✓ Compruebe el funcionamiento del presóstato. Compruebe si el valor de By-pass es superior al de desconexión.

FUNCIONAMIENTO RUIDOSO O RUDO

- ✓ Compruebe las cañerías (presión) del lado de salida para ver si hay fugas y compruebe si hay fugas en las válvulas o el inodoro.

- ✓ Compruebe las cañerías, que pueden estar algo sueltas por la vibración.
- ✓ ¿La bomba se ha conectado al sistema de fontanería con un tubo rígido, que provoca la transmisión de ruido?
- ✓ ¿La superficie de montaje amplifica el ruido (flexible)? ¿Emite golpes como un tambor?
- ✓ Compruebe si los pies de montaje están flojos o demasiado prietos.
- ✓ Compruebe si hay aire en el sistema. Compruebe todos los elementos para ver si hay aire y purgue el sistema.
- ✓ Extraiga el cabezal de la bomba. ¿El ruido procede del motor o del cabezal de la bomba?

FUGAS DEL CABEZAL O EL INTERRUPTOR

- ✓ Compruebe si hay tornillos flojos en el interruptor, la válvula de By-pass o el cabezal de la bomba.
- ✓ Diafragma del interruptor roto o comprimido.
- ✓ Si hay agua en el conjunto de accionamiento, compruebe si el diafragma está roto.

KITS DE SERVICIO (pagina 24)

1. Presóstato
2. Interruptor/válvula reguladora y carcasa superior
3. Conjunto de la válvula
4. Conjunto de accionamiento
5. Motor
6. Válvula reguladora (no mostrada)

JUEGOS DE SERVICIO

NÚMERO	4029-110-X02	4029-110-X03	4029-110-X04	4029-181-X32	4009-101-X32	4009-101-X54	4009-101-A65	4009-101-X87	4009-131-X54
1	94-806-00	94-806-01	94-806-02	94-890-00	94-890-00	94-890-01	94-800-05	94-890-02	94-890-01
2	94-890-13	94-890-14	94-890-15	94-890-07	94-890-07	94-890-09	94-800-00	94-890-08	94-890-09
3	94-800-01	94-800-01	94-800-01	94-800-01	94-800-01	94-800-01	94-800-01	94-800-01	94-800-01
4	94-890-16	94-890-16	94-890-16	94-800-02	94-800-02	94-800-02	94-800-02	94-800-02	94-800-02
5	94-11-307-00CE	94-11-307-00CE	94-11-307-00CE	94-11-189-005	94-11-302-00CE	94-11-302-00CE	94-11-302-00CE	94-11-302-00CE	94-11-303-00
Valvula de Retencion (N/S)	94-800-03	94-800-03	94-800-03	94-800-03	94-800-03	94-800-03	94-800-03	94-800-03	94-800-03
1, 2, 3, 4	94-890-10	94-890-11	94-890-12	94-890-05	94-890-05	94-890-04	94-800-04	94-890-06	94-890-04

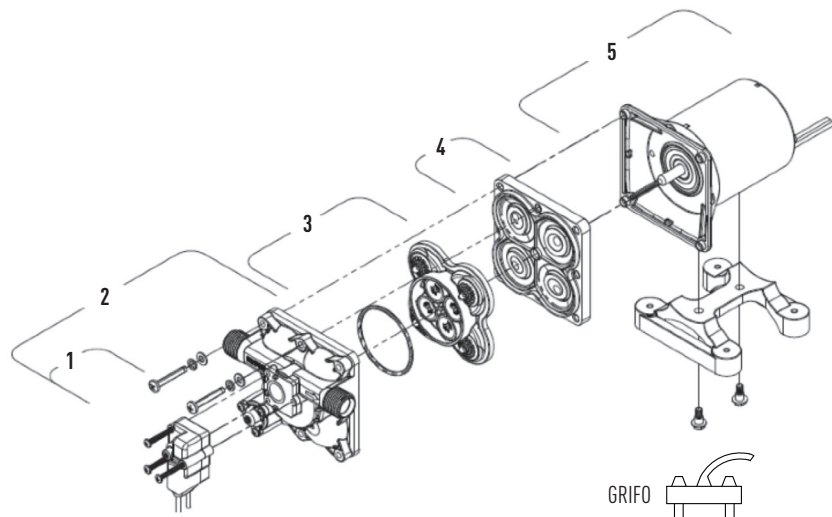
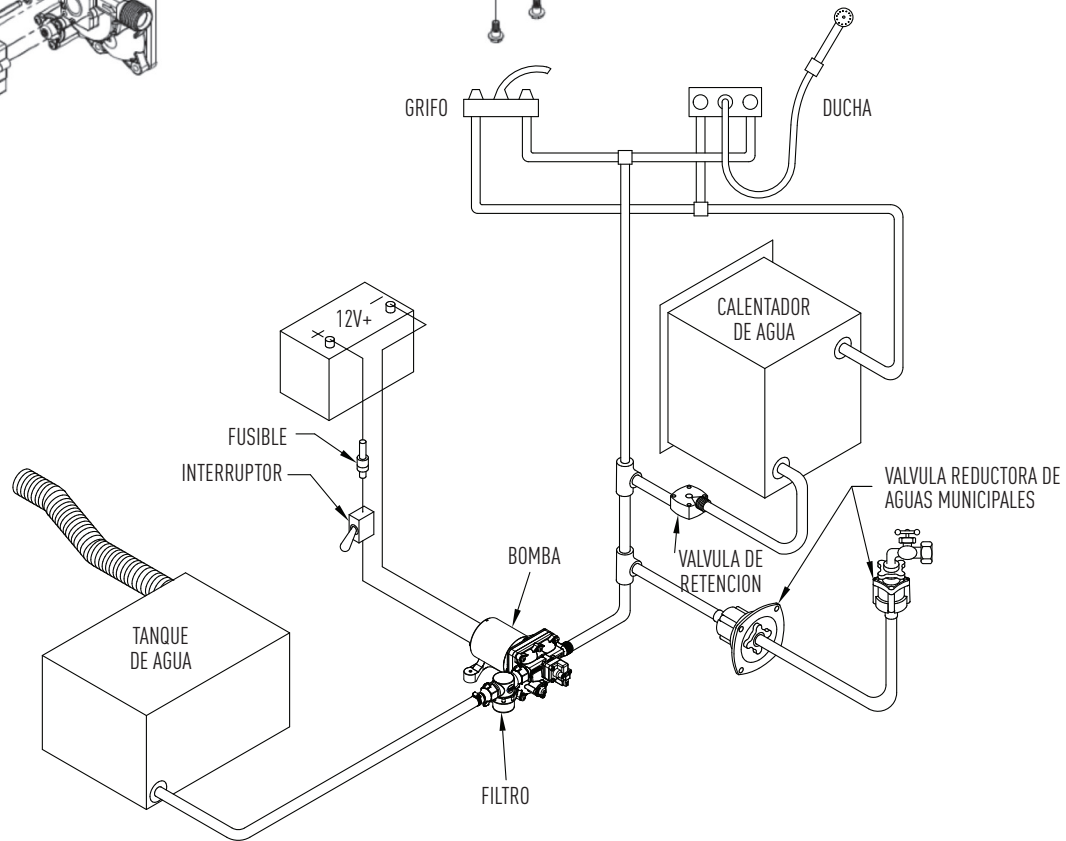


Figura - 1

Pies [m]		AWG [mm ²]	
0-25	[0-7.6]	16	[1.3]
25-50	[7.6-15.2]	14	[2.1]
50-70	[15.2-21.3]	12	[3.3]
70-110	[21.3-33.5]	10	[5.3]

Tamaño mínimo del cable para una caída de tensión del 10% en un circuito de 12VCC, 10 amp. El largo es la distancia desde la fuente de energía a la bomba y de regreso a tierra.



SHURFLO® FRISCHWASSERPUMPE FÜR REISEMOBILE: TRAIL KING II FÜR REISEMOBILE/WOHNWAGEN - HANDBUCH

MODELLREIHEN 4029 UND 4009

Die SHURFLO-Wasserpumpen erfüllen alle Gesundheits- und Sicherheitsvorschriften und entsprechen den europäischen Normen für elektromagnetische Verträglichkeit (EMV). Konformitätserklärungen sind auf Anfrage erhältlich.

EINBAUANLEITUNG

Ziel der Installation ist ein geräuscharmer Pumpenbetrieb, das Erreichen des gewünschten Wasserdurchflusses, ein niedriger Gegendruck und eine einfache Wartung. Dies kann durch die Einhaltung der nachstehenden Anweisungen erreicht werden:

- Pumpen sollten in einer trockenen Umgebung mit ausreichender Belüftung aufgestellt werden.
- Montieren Sie die Pumpe auf eine stabile Unterlage an einer leicht zugänglichen Stelle, um eine einfache Reinigung des Filters und Wartung zu ermöglichen.
- Verwenden Sie einen flexiblen Hochdruckschlauch am Pumpenein- und -auslass [z.B. SHURFLO Kit 94-591-01].
- Der Pumpenein- und -auslass und der Filter dürfen nicht mit einem starren Kunststoffrohr verbunden werden, da es sonst bei normalem Pumpenbetrieb aufgrund der starren Rohrleitungen zu Kavitation kommen kann, durch die Geräusche verursacht und Komponenten möglicherweise gelöst oder beschädigt werden können.
- Die Pumpe muss mit einem geeigneten 50-Mesh-Filter [z.B. SHURFLO der 255-Serie] installiert werden.

MONTAGE

- Montieren Sie die Pumpe auf eine stabile Unterlage, um Schwingungen und Geräusche zu vermeiden.
- Montieren Sie die Pumpe für eine optimale Leistung und Pumpenlebensdauer in einem Abstand von bis zu 1,8 m [6 ft] vom Wasservorrattank. Die Pumpe kann zwar auch bei einem größeren Abstand noch ziehen, aber je weiter sie ziehen muss desto stärker muss sie arbeiten, wodurch Schwingungen und Geräusche zunehmen und die Leistung und Pumpenlebensdauer reduziert wird.
- Lassen Sie um die Pumpe herum mindestens ca. 0,030 m³ [1 ft³] Platz, so dass

■ Die Rohrleitungen müssen einen Innendurchmesser von min. **13 mm [1/2"] aufweisen**. Rohrleitungen mit einem geringeren Innendurchmesser führen zu Kavitation, hohem Gegendruck, niedrigem Durchfluss und lautem Betrieb.

■ Für Pumpen mit 1/2" Male Außengewinde sollten SHURFLO Schlauchanschlußstutzen mit Überwurfmutter verwendet werden. Diese sind selbstdichtend und werden nur handfest angezogen. Achtung: Dichtmittel und Teflonband können wie Schmiermittel wirken und durch Überdrehen der Gewinde zu materialabsplitterungen oder Gehäusebrüchen führen. Dichtmittel können in den Pumpenkopf eindringen und dadurch die Funktion beeinträchtigen. Hierdurch hervorgerufene Defekte und Ausfälle werden nicht durch die Garanteileistungen abgedeckt.

■ Vermeiden Sie Verengungen am Pumpenein- und -auslass. Dies gilt auch für Absperrventile, Ventile für das Winterfestmachen und Rohrbögen mit einem kleineren Innendurchmesser.

■ Bei den Bypass-Pumpen der 4009-Serie wird kein Speichertank benötigt.

eine ausreichende Belüftung garantiert und eine Überhitzung des Elektromotors vermieden wird.

■ Die Pumpe kann in jeder Lage montiert werden.

■ Montieren Sie die Pumpe so, dass sie für die Reinigung des Filters sowie die Wartung und Instandhaltung leicht zugänglich ist.

■ Die Pumpe ist nicht als tauchpumpe geeignet und sollte vor Feuchtigkeit geschützt werden. Ein Ausfall der aus solchen Bedingungen resultiert, wird nicht von den Gewährleistungen angedeckt.

■ Die Pumpe ist nur für intermittierenden Betrieb ausgelegt. Verwenden Sie diese Pumpen nicht für den Betrieb einer Umkehrosmose-Filtrationsanlage. Hoher Druck und Dauerbetrieb führen zu einer Verringerung der Lebensdauer der Pumpe und daraus resultierende Schäden sind nicht durch die Garantie abgedeckt.

■ Der Leiterquerschnitt beträgt 1,3 mm² [16 AWG] als **MINIMUM**, empfohlen werden 3,3 mm² [12 AWG] (**siehe Tabelle** im Abschnitt "Elektroinstallation" (Rückseite Abb.-1) für die Bemessung der Leiter.

■ Der Stromkreis muss mindestens mit 10 A abgesichert werden.

■ **Vermeiden Sie Verengungen am Pumpenein- und -auslass.** Dies gilt auch für Absperrventile, Ventile für das Winterfestmachen und Rohrbögen mit einem kleinen Innendurchmesser.

ROHRLEITUNGEN

■ Wir empfehlen die Anbringung eines Filters vor dem Pumpeneinlass, um zu vermeiden, dass Schmutz oder Fremdkörper in die Pumpe gelangen. Wenn kein Filter vor dem Pumpeneinlass montiert ist, erlischt die Garantie.

■ Verwenden Sie zur Reduzierung von Geräuschen und Schwingungen für den Anschluss am Pumpenein- und -auslass min. 0,5 m [18 in.] lange flexible Hochdruckschläuche mit einem Innendurchmesser von 13 mm [1/2"]. Diese Schläuche müssen an der Verbindung zu den starren Rohrleitungen befestigt werden, um Schwingungen der Rohre zu vermeiden. Die Pumpenanschlüsse und der Filter dürfen nicht mit einem starren Kunststoffrohr verbunden werden.

■ Installation des Rückschlagventils zwischen der Pumpe und dem Wassererhitzer (falls zutreffend) wird Beschädigungen an der Pumpe aufgrund dem Wasseranschluss der Stadt und der Hochdruckspitzen des Wassererhitzers vermeiden.

ELEKTROINSTALLATION

■ Die Pumpe funktioniert am besten mit einem eigenen gefilterten Stromkreis, geschützt durch die auf dem Typenschild der Pumpe angegebene Sicherung bzw. den dort angegebenen Schutzschalter.

■ Wir empfehlen die Verwendung eines 15A-Schalters, der an die Plusleitung angeschlossen wird.

■ Für einen einwandfreien Pumpenbetrieb ist eine vorschriftsmäßige Bemessung der Leiter erforderlich. Ein zu geringer Leiterquerschnitt führt zu einem Spannungsabfall, der sich auf die Pumpenleistung auswirkt und zu einer Gefahr führen kann.

■ **SCHALTEN SIE DIE STROMVERSORGUNG FÜR DIE PUMPE AB, WENN SIE DAS REISEMOBIL/DEN WOHNWAGEN UNBEAUFICHTIGT LASSEN.**

DER BYPASS

Bei dem Bypass handelt es sich um eine federbelastete Membran, die in geöffneter Stellung bewirkt, dass Wasser von der Druckseite zur Einlassseite zurückströmt. Wenn der Schalter oder der Bypass zu stark verstellt wird, können sich die Bypass- und Abschaltwerte überlappen und **DIE PUMPE SCHALTET NICHT AB**. Wenn Sie die Schraube am Schalter im Uhrzeigersinn hineindreuen, erhöht sich der Abschaltdruck. Wenn Sie die Schraube am Schalter gegen den Uhrzeigersinn herausdrehen, verringert sich der Abschaltdruck. Wenn Sie die Bypass-Schraube hineindreuen, steigt der Druck, bei dem der Bypass startet, sowie der volle Bypass-Druck. Wenn Sie die Bypass-Schraube gegen den Uhrzeigersinn herausdrehen, sinkt der Druck, bei dem der Bypass startet, sowie der volle Bypass-Druck. **ACHTUNG: Wenn der volle Bypass-Druck vor der Abschaltstellung erreicht wird, schaltet die Pumpe nicht ab.** Die Einstellung für den vollen Bypass-Druck muss mindestens 0,48 bar [7 psi] höher sein als der Abschaltdruck für die Pumpe.

PUMPE MIT REGELBAREM DRUCKSCHALTER "BETRIEB"

Verengungen in einem Rohrleitungssystem können bei einer geringen Wasserabfrage zu schnellen Schaltwechseln der Pumpe führen (EIN/AUS innerhalb von 2 s). Die Schaltwechsel müssen minimiert werden, um einen pulsierenden Durchfluss zu verhindern und eine maximale Pumpenlebensdauer zu erreichen. Um festzustellen, ob eine Verstellung erforderlich ist, drehen Sie den Hahn soweit auf, dass weniger als die durchschnittliche Wassermenge fließt. Die Pumpe müsste schalten, aber ihre "Ausschaltzeit" muss 2 Sekunden oder mehr betragen. Wenn die Schaltwechsel korrekt sind, können Sie die Einstellung so lassen. Bei zu schnellen Schaltwechseln müssen Sie die Einstellung durch Drehen der Schraube im Uhrzeigersinn (1/2 bis MAX. ¾ UMDREHUNG) ändern, bis die Pumpe bei min. 2 Sekunden "Aus-schaltzeit" 1 Sekunde läuft. Wenn die Schaltwechsel nicht minimiert werden können, überlegen Sie, ob Verengungen in der Rohrleitung beseitigt werden müssen, oder installieren Sie einfach einen SHUR-FLO Druckausgleichsbehälter.

HYGIENISIEREN

Trinkwassersysteme erfordern eine regelmäßige Wartung, damit die einzelnen Komponenten korrekt arbeiten können und immer einwandfreies Frischwasser liefern. Das Hygienisieren wird empfohlen: vor einer Einlagerung, nach einer längeren Einlagerung oder jedes Mal, wenn das System geöffnet oder verschmutzt wird. Gehen Sie dazu wie folgt vor: **HINWEIS: Schauen Sie in der Bedienungsanleitung für das Fahrzeug nach entsprechenden Anweisungen. Überbrücken Sie alle Filter oder entfernen Sie die Filterkartuschen.**

1. Stellen Sie fest, welche Menge an üblichem Haushaltsbleichmittel benötigt wird, um den Tank zu reinigen.

A) 60 ml [2 oz] Bleichmittel pro 56,8 Liter [15 gal] Tankinhalt: 227 l [60 gal] Tank [15 x 4] = 4 x 60 ml [4 x 2 oz] = 240 ml [8 oz] Bleichmittel.

B) 1 ml Bleichmittel pro Liter Tankinhalt: 300l-Tankinhalt = 300 ml Bleichmittel.

2. Mischen Sie das Bleichmittel in einem Behälter, z. B. eine 4l-Kanne, mit Wasser. Wenn der Tank über eine Druckverschraubung befüllt wird, schütten Sie das Bleichmittel in den Schlauch, bevor Sie den Schlauch an die öffentliche Wasserversorgung anschließen.

3. Gießen Sie die Bleichmittellösung in den Tank und füllen Sie ihn mit Trinkwasser. Bewegen Sie das Reisemobil vor und zurück, damit sich das Bleichmittel oben und an den Seiten des Trinkwassertanks absetzt.

PUMPEN MIT VERSTELLBAREM BYPASS UND REGELBAREM DRUCKSCHALTER "BETRIEB"

Die Pumpe arbeitet normalerweise bis zu einem Bypassdruck von ca. 1 bar [15 psi]. Bei diesem Druck öffnet ein federbelastetes Bypassventil, so dass das Wasser gleichmäßig und praktisch ohne Schaltwechsel von der Auslass- zur Einlassseite zurückfließen kann, bis es nur noch tröpfelt. Wenn ein Wasserhahn geöffnet wird, fällt der Druck, der Bypass schließt und es wird der volle Durchfluss erreicht. Dies ermöglicht einen guten Durchfluss sogar bei den heute üblichen Durchflussbegrenzern in Duschen und den Wasserhähnen mit ausziehbarer Brausefunktion. Die Leistung schwankt natürlich in Abhängigkeit von der Pumpenspannung: Niedrigere Spannung = niedrigerer Durchfluss, höhere Spannung = höherer Durchfluss. Seien Sie immer vorsichtig und achten Sie auf die elektrische Sicherheit. Am besten schalten Sie immer die Stromversorgung der Pumpe ab, wenn Sie das Reisemobil/den Wohnwagen unbeaufsichtigt lassen.

4. Öffnen Sie alle Wasserhähne (warm & kalt) und lassen Sie das Wasser laufen, bis Sie den Chlorgeruch feststellen. Lassen Sie die Lösung für eine vollständige Desinfektion vier (4) Stunden einwirken. Bei einer Verdoppelung der Lösungskonzentration verringert sich die Einwirkzeit auf eine (1) Stunde.

5. Entleeren Sie den Tank. Füllen Sie den Tank wieder und spülen Sie das System ein oder zwei Mal, bis der Geruch abgenommen hat. Der restliche Chlorgeruch und -geschmack ist nicht gefährlich.

WARTUNG

Die normale Wartung umfasst die Kontrolle und Reinigung des Filters, das normale Hygienisieren und die Winterfestmachung sowie eine gelegentliche Überprüfung der Rohrleitungen und Verschraubungen auf ihre Dichtigkeit. Ein mangelndes Hygienisieren ist der Hauptgrund für den vorzeitigen Ausfall der Pumpe und eine nachlassende Pumpenleistung. Ein mangelndes Hygienisieren führt zu Kalkablagerungen an der Membran und den Ventilen, wodurch sich der Durchfluss verringert und das Wasser zurückströmt (gelegentliche Schaltwechsel der Pumpe bei geschlossenen Wasserhähnen oder Auffüllen des Tanks bei Anschluss an die öffentliche Wasserversorgung).

WINTERFESTMACHEN

Besondere Hinweise zum Winterfestmachen siehe Bedienungsanleitung für das Fahrzeug.

Gefrierendes Wasser in der Anlage kann zu ernststen Schäden an den Rohrleitungen und der Pumpe führen. Derartige Mängel sind nicht durch die Garantie abgedeckt. Die beste Garantie gegen Schäden ist eine vollständige Entleerung der Pumpe. Gehen Sie dazu wie folgt vor:

1. Entleeren Sie den Wassertank. Wenn der Tank kein Ablassventil hat, öffnen Sie alle Hähne und lassen Sie die Pumpe so lange laufen, bis der Tank leer ist.

2. Öffnen Sie alle Hähne (einschl. dem untersten Ventil oder Ablauf in der Rohrleitung), lassen Sie die Pumpe laufen, so dass sie das Wasser aus den Leitungen pumpen kann und schalten Sie sie dann AUS.

3. Fangen Sie das restliche Wasser in einer Schale auf und lösen Sie dann die Leitungen an den Ein-/Auslassöffnungen der Pumpe. Schalten Sie die Pumpe EIN und lassen Sie sie laufen, bis das Wasser ausgelaufen ist. Schalten Sie die Stromversorgung für die Pumpe AUS, wenn die Leitungen entleert sind. Schließen Sie die Rohrleitungen für die Pumpe nicht wieder

an. Bringen Sie zur Erinnerung einen Hinweis an der Tankverschlusskappe an: "Leitungen sind nicht angeschlossen".

4. Alle Hähne müssen offen bleiben, um Schäden zu vermeiden.

5. Zum Schutz der Siphons und Toiletten-dichtungen können Sie ein Frostschutzmittel für Trinkwasser in Abflüsse und Toilette schütten. Hygienisieren Sie die Leitungen, bevor Sie sie wieder in Betrieb nehmen.

TROUBLESHOOTING

Rohrleitungen, Filter und Pumpenteile können sich durch Erschütterungen während der Fahrt lösen. Überprüfen Sie alle Anlagenteile auf festen Sitz. Lesen Sie auch die Tipps zur Fehlerbehebung in der nachstehenden Liste.

PUMPE LÄUFT NICHT AN / SICHERUNG BRENNT DURCH

- ✓ Ist der Motor heiß? Eventuell hat der Thermoschutzschalter ausgelöst; er wird zurückgestellt, sobald der Motor abgekühlt ist.
- ✓ Elektrische Anschlüsse, Sicherung oder Schalter, Hauptschalter und Erdungsanschluss.
- ✓ Liegt Spannung am Schalter an? Druckschalter überbrücken. Läuft die Pumpe?
- ✓ Ladesystem auf korrekte Spannung ($\pm 10\%$) und einwandfreie Erdung überprüfen.
- ✓ Auf offenen oder geerdeten Stromkreis oder Motor; oder nicht korrekt bemessenen Leiter überprüfen.
- ✓ Auf feststehende oder blockierte Membran überprüfen (Wasser gefroren?).

PUMPE SAUGT NICHT AN / SPRITZT (Kein Druck/Motor läuft)

- ✓ Ist der Filter verstopft?
- ✓ Ist Wasser im Tank oder hat sich Luft im Heißwasserbereiter gesammelt?
- ✓ Wird über das Einlassrohr/die Einlassleitung Luft an den Rohrleitungsanschlüssen angesaugt (Vakuumleck)?
- ✓ Ist die Einlass-/Auslassleitung stark verengt oder geknickt? Mengengerelventile?
- ✓ Korrekte Spannung, wenn Pumpe läuft ($\pm 10\%$)
- ✓ Auf Schmutz in den Pumpeneinlass-

/-auslassventilen oder gequollene/trockene Ventildichtungsgummis überprüfen

- ✓ Pumpengehäuse auf Risse oder lockere Schrauben an der Antriebseinheit überprüfen.

SCHNELLE SCHALTWECHSEL

- ✓ Auf verengte Leitungen und Durchflussbegrenzer in Hähnen/Duschköpfen überprüfen.
- ✓ Wasserfilter sollten eine separate Speiseleitung haben.
- ✓ Abschaltdruck ist zu niedrig eingestellt.

PUMPE SCHALTET NICHT AB / LÄUFT, WENN DER HAHN GESCHLOSSEN IST

- ✓ Auslass(druck)leitung auf Undichtheiten überprüfen, außerdem auf undichte Ventile oder Toilette überprüfen.
- ✓ Auf eingeschlossene Luft auf der Auslassseite (Boiler) oder im Pumpenkopf überprüfen.
- ✓ Spannungsversorgung für die Pumpe überprüfen ($\pm 10\%$).
- ✓ Auf lockere Schrauben an der Antriebseinheit oder am Pumpenkopf überprüfen.
- ✓ Werden die Ventile durch Schmutz offen gehalten oder ist der Dichtungsgummi gequollen?
- ✓ Druckschalterbetrieb. Bypass ist höher eingestellt als Abschaltung.

LAUTER ODER RAUER BETRIEB

- ✓ Rohrleitungen auf der Auslass(druck)seite auf Undichtheiten überprüfen, außerdem auf undichte Ventile oder Toilette überprüfen.
- ✓ Auf Rohrleitungen überprüfen, die sich durch Erschütterungen gelöst

haben könnten.

- ✓ Hat die Pumpe eine starre Verrohrung, die eine Geräuschübertragung bewirkt?
- ✓ Werden die Geräusche durch die Montagefläche (flexibel) verstärkt? Gibt es Schläge wie von einer Trommel?
- ✓ Montagefüße auf lockeren oder zu festen Sitz überprüfen.
- ✓ Auf Luft im System überprüfen. Alle Armaturen auf Luft überprüfen und System entlüften.
- ✓ Motor bei abgenommenem Pumpenkopf überprüfen. Kommt das Geräusch vom Motor oder vom Pumpenkopf?

UNDICHTHEITEN AM KOPF ODER AM SCHALTER

- ✓ Auf lockere Schrauben am Schalter, Bypass oder Pumpenkopf überprüfen.
- ✓ Schaltermembran gerissen oder gequetscht.
- ✓ Wenn Wasser in der Antriebseinheit ist, prüfen, ob die Membran perforiert ist.

WARTUNGSSETS (seite 24)

1. Druckschalter
2. Schalter/Rückschlagventil und oberes Gehäuse
3. Ventilbaugruppe
4. Antriebsbaugruppe
5. Motoró.
6. Rückschlagventil (nicht gezeigt)

SERVICE KITS

NUMMER	4029-110-X02	4029-110-X03	4029-110-X04	4029-181-X32	4009-101-X32	4009-101-X54	4009-101-A65	4009-101-X87	4009-131-X54
1	94-806-00	94-806-01	94-806-02	94-890-00	94-890-00	94-890-01	94-800-05	94-890-02	94-890-01
2	94-890-13	94-890-14	94-890-15	94-890-07	94-890-07	94-890-09	94-800-00	94-890-08	94-890-09
3	94-800-01	94-800-01	94-800-01	94-800-01	94-800-01	94-800-01	94-800-01	94-800-01	94-800-01
4	94-890-16	94-890-16	94-890-16	94-800-02	94-800-02	94-800-02	94-800-02	94-800-02	94-800-02
5	94-11-307-00CE	94-11-307-00CE	94-11-307-00CE	94-11-189-005	94-11-302-00CE	94-11-302-00CE	94-11-302-00CE	94-11-302-00CE	94-11-303-00
Rückschlagventil (N/S)	94-800-03	94-800-03	94-800-03	94-800-03	94-800-03	94-800-03	94-800-03	94-800-03	94-800-03
1, 2, 3, 4	94-890-10	94-890-11	94-890-12	94-890-05	94-890-05	94-890-04	94-800-04	94-890-06	94-890-04

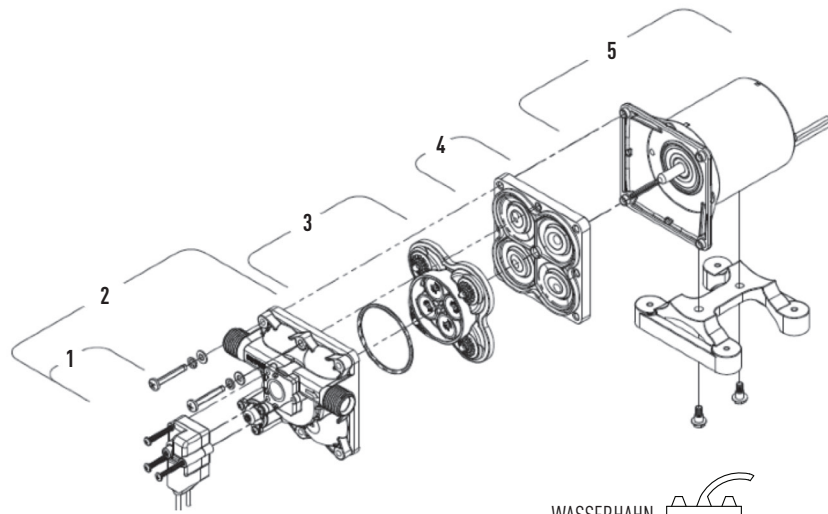
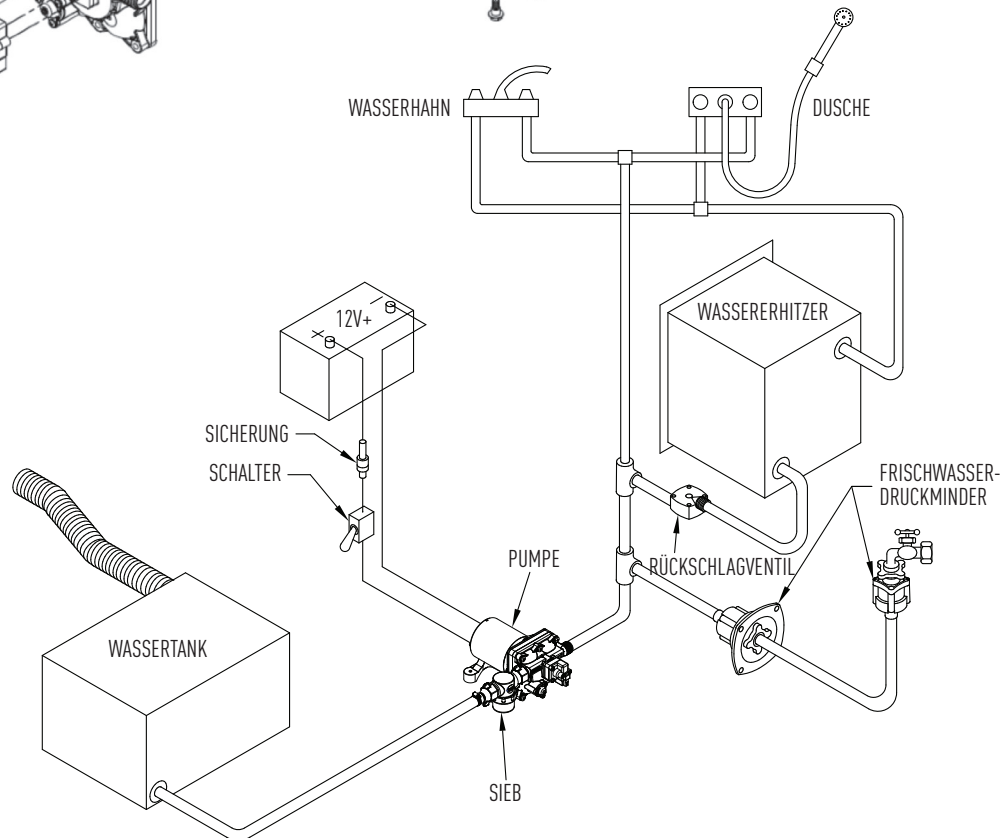


Abbildung - 1

Fuß [m]		AWG [mm ²]	
0-25	[0-7.6]	16	[1.3]
25-50	[7.6-15.2]	14	[2.1]
50-70	[15.2-21.3]	12	[3.3]
70-110	[21.3-33.5]	10	[5.3]

Minimale Drahtdurchmesser für einen Spannungsabfall von 10% auf einem 12VDC, 10 Ampere-Bereich. Länge ist die Entfernung von der Stromquelle zu der Pumpe und zurück zum Boden.



SHURFLO® POMPE À EAU DOUCE POUR VÉHICULES DE LOISIRS: TRAIL KING II POUR UTILISATION À BORD DE CAMPING-CARS/CARAVANES

SÉRIES 4029 ET 4009

Les pompes à eau SHURFLO répondent aux principales normes de sécurité et d'hygiène et sont conformes aux normes européennes de compatibilité électromagnétique (CEM). Des déclarations de conformité spécifiques sont disponibles sur demande.

INSTRUCTIONS DÉTAILLÉES DE MONTAGE

Le montage vise à obtenir un fonctionnement silencieux de la pompe, facile d'entretien et délivrant le débit d'eau souhaité avec une faible contre-pression. Cela peut être réalisé en respectant les instructions suivantes :

- La pompe doit être placée dans un endroit sec et ventilé de façon appropriée
- Montez sur une **surface solide** dans un **endroit accessible** pour faciliter le nettoyage de la crépine et l'entretien de la pompe.
- Employez un **flexible haute pression** pour l'alimentation et la sortie de la pompe [par ex. le kit SHURFLO 94-591-01].
- Les entrées et sorties de la pompe ainsi que la crépine **ne doivent pas** être raccordées à une tuyauterie en plastique rigide; sinon, le fonctionnement normal de la pompe générera un phénomène de cavitation à travers cette tuyauterie rigide, engendrant du bruit et susceptible de détacher ou de fendre des composants.
- La pompe doit être montée avec une **crépine** adaptée, à mailles de 50 [comme les crépines SHURFLO de la série 255].

MONTAGE

- Montez la pompe sur une surface solide, pour éviter les vibrations et le bruit.
- Placez la pompe à moins de 1,80 m [6 pieds] du réservoir d'eau, pour optimiser le rendement et la durée de vie de la pompe. Bien que la pompe puisse aspirer de plus loin, plus la distance d'aspiration est grande, plus elle force, ce qui augmente les vibrations et le bruit et réduit le refoulement et sa durée de vie.
- Montez la pompe dans un espace d'au moins 1 pied cube [28,3 dm³] pour assurer

■ La tuyauterie doit avoir un diamètre intérieur minimal de **13 mm [1/2"]**. Une tuyauterie d'un diamètre inférieur provoquera une cavitation, une contre-pression importante, un faible débit et du bruit.

■ Les modèles de pompes avec des connecteurs de type 1/2" sont destinés à être utilisés avec des raccords cannelés pivotants qui se scellent lors d'un serrage à main grâce à leur profil conique. Attention : Les pâtes d'étanchéité et les rubans Téflon sont

susceptibles d'agir comme un lubrifiant et d'occasionner des fissures dans la tête de la pompe ou des dommages sur le filetage du fait d'un serrage excessif. La pâte peut pénétrer dans la pompe, neutraliser l'action des clapets, empêcher l'amorçage de la pompe ou son arrêt. Les pannes occasionnées par la pénétration de corps étrangers ne sont pas couvertes par la garantie

■ Minimisez les étranglements à l'entrée et à la sortie de la pompe. Ceci comprend tout robinet d'arrêt, robinet d'hivernage et coudes de plus petit diamètre intérieur.

■ L'utilisation d'un réservoir accumulateur n'est pas nécessaire avec des pompes de by-pass de la série 4009.

■ La pompe est conçue pour un **fonctionnement intermittent** uniquement. N'utilisez pas ces pompes pour alimenter un système de filtration par osmose inverse [OI]. Le fonctionnement continu à haute pression raccourcira la durée de vie de la pompe et n'est pas couvert par la garantie.

■ La section des câbles est de calibre 16 **MINIMUM** ; un calibre 12 est conseillé (**reportez-vous au tableau de câblage** au chapitre Électricité - dos de couverture, figure 1 - pour les dimensions des câbles).

■ Le circuit d'alimentation électrique minimum requis est de 10 A.

■ **Minimisez les étranglements à l'entrée et à la sortie de la pompe.** Ceci comprend tout robinet d'arrêt, robinet d'hivernage et coudes de plus petit diamètre intérieur.

TUYAUTERIE

■ L'installation d'une crépine est requise pour empêcher l'entrée de débris dans la pompe. Si aucune crépine n'est placée en amont de la pompe, la garantie est caduque.

■ Afin de réduire le bruit et les vibrations, utilisez un tuyau flexible haute pression long d'au moins 50 cm [18"], d'un diamètre intérieur minimum de 13 mm [1/2"] sur les deux orifices d'entrée et de sortie. Ce tuyau doit être raccordé à la jonction avec la tuyauterie rigide, afin de réduire les vibrations de tuyauterie. Les orifices de la pompe et la crépine ne doivent pas être raccordés à un tuyau en plastique rigide.

■ L'installation du clapet antiretour entre la pompe et le chauffe-eau (le cas échéant) empêchera de causer des dommages à la pompe et à l'entrée d'eau de la ville en raison des pointes de pression provenant du chauffe-eau.

ÉLECTRICITÉ

■ La pompe fonctionne le mieux sur un circuit filtré distinct, protégé par un fusible ou un coupe-circuit tel que spécifié sur la plaquette de la pompe.

■ Un contacteur de 15 A est conseillé et doit se trouver sur le conducteur positif.

■ Un dimensionnement correct des câbles est nécessaire au bon fonctionnement de la pompe. Si le câble est sous-dimensionné, la basse tension affectera le rendement de la pompe et peut créer un risque d'incendie.

■ **COUPEZ L'ALIMENTATION ÉLECTRIQUE DE LA POMPE QUAND VOUS LAISSEZ LE VÉHICULE SANS SURVEILLANCE.**

À PROPOS DU BY-PASS

Le by-pass consiste en une membrane à ressort qui s'ouvre pour permettre le passage de l'eau depuis le côté du refoulement vers le côté d'admission. Si le manocontact ou le by-pass sont réglés trop haut, ils peuvent se chevaucher et **LA POMPE NE S'ARRÊTERA PAS**. Vissez la vis du manocontact dans le sens horaire pour relever la pression d'arrêt. Dévissez la vis du manocontact dans le sens antihoraire pour diminuer la pression d'arrêt de la pompe. Vissez la vis de by-pass pour augmenter la pression à laquelle le by-pass s'installe et augmenter la pression de by-pass complète. Dévissez la vis de by-pass dans le sens antihoraire pour diminuer la pression à laquelle le by-pass s'installe et abaisser la pression de by-pass complète. **AVERTISSEMENT : si le by-pass complet est installé avant que la pression d'arrêt soit atteinte, la pompe ne s'arrêtera pas.** Le réglage de la pression de by-pass complet doit excéder d'au moins 0,48 bars [7 psi] la pression d'arrêt de la pompe.

ENTRETIEN

Les seules interventions nécessaires sont la vérification et le nettoyage de la crépine, une désinfection et un hivernage normaux, et une vérification occasionnelle du serrage de toute la tuyauterie et tous les raccords. L'absence de désinfection constitue la principale cause de défaillance prématurée des pompes et d'un rendement se détériorant au fil du temps. L'absence de désinfection provoque une accumulation de tartre sur la membrane et sur les vannes, ce qui réduit le débit et provoque une fuite en retour (et des cycles occasionnels sans aucun robinet ouvert ou un remplissage du réservoir lors du raccordement au réseau d'eau public).

POMPE AVEC COMMUTATEUR DE RÉGLAGE DE PRESSION DE «FONCTIONNEMENT»

Dans un système de tuyauterie, des étranglements peuvent entraîner un fonctionnement cyclique accéléré (MARCHE/ARRÊT en moins de 2 sec.) lorsqu'un faible débit est demandé. Ce phénomène cyclique doit être limité, pour éviter un débit pulsé et garantir une longévité maximale de la pompe. Pour déterminer si un réglage est nécessaire, tournez le robinet pour obtenir un débit d'eau inférieur à la normale. La pompe devrait fonctionner en cycle, mais son temps d'arrêt devrait durer 2 secondes au moins. Si c'est le cas, ne modifiez rien. Si par contre la pompe fonctionne en cycles rapides, modifiez les réglages en tournant la vis dans le sens horaire (1/2 tour, 3/4 de tour MAX.) jusqu'à ce que la pompe fonctionne durant 1 seconde, et s'interrompe au moins 2 secondes. Si le fonctionnement cyclique ne peut être réduit, pensez à éliminer des étranglements de tuyauterie, ou à simplement installer un accumulateur SHURFLO.

DÉSINFECTION

Les systèmes d'eau potable nécessitent un entretien périodique afin de préserver un fonctionnement correct des composants et délivrer un débit constant d'eau fraîche. Une désinfection est recommandée avant le remisage, après une période de remisage, ou à chaque fois que le système est ouvert ou contaminé, de la manière suivante: **REMARQUE: consultez le manuel de l'utilisateur de votre véhicule pour des instructions spécifiques. Dériver tous les filtres, ou déposez les cartouches de filtres.**

1. Déterminez la quantité d'eau de Javel ménagère nécessaire pour désinfecter le réservoir.

A) 2 onces d'eau de Javel pour un réservoir de 15 gallons : un réservoir de 60 gallons [15 x 4] = 4 x 2 onces = 8 onces d'eau de Javel.

B) 1 ml d'eau de Javel par litre de contenance : un réservoir de 300 litres = 30 cl d'eau de Javel.

POMPES AVEC COMMUTATEUR DE RÉGLAGE DE PRESSION ET DE BY-PASS DE «FONCTIONNEMENT»

La pompe fonctionne normalement jusqu'à une pression de by-pass de 1 bar [15 psi] ; à ce moment s'ouvre une soupape de by-pass à ressort, permettant au débit de sortie de revenir du côté admission et assurant un débit régulier et stable avec pratiquement aucun cycle, jusqu'à se réduire à un mince filet. Quand un robinet est ouvert, la pression chute, la soupape de by-pass se ferme et on obtient à nouveau un plein débit. Ceci permet un débit correct, même avec les douches économiques et les têtes de robinet rétractables modernes. Bien sûr, leur rendement varie en fonction de la tension sur la pompe : basse tension = faible débit, haute tension = débit élevé. Restez prudent et respectez les règles de sécurité électrique. Il est toujours préférable de couper l'alimentation électrique de la pompe quand vous laissez le véhicule sans surveillance.

2. Mélangez l'eau de Javel avec de l'eau dans un récipient, une tourie exemple. Si le réservoir est rempli via un raccord sous pression, versez l'eau de Javel dans le tuyau avant de fixer celui-ci sur l'entrée de l'eau du réseau public.

3. Versez le mélange d'eau de Javel dans le réservoir et remplissez le réservoir d'eau potable. Secouez le véhicule d'avant en arrière afin de tapisser le haut et les côtés du réservoir d'eau potable.

4. Ouvrez tous les robinets (chaud et froid) pour laisser l'eau couler jusqu'à ce qu'une odeur de chlore se fasse sentir. Attendez quatre (4) heures pour une désinfection complète. Si la concentration de la solution est doublée, laissez une durée de contact d'une (1) heure.

5. Vidangez le réservoir. Remplissez le réservoir et rincez le système une ou deux fois jusqu'à ce que l'odeur s'atténue. Le goût et l'odeur résiduels de chlore ne sont pas nocifs.

HIVERNAGE

Consultez le manuel de l'utilisateur du véhicule pour des instructions spécifiques relatives à l'hivernage.

Si de l'eau gèle dans le circuit, la tuyauterie peut être sérieusement endommagée, ainsi que la pompe. Les défaillances de ce type annulent la garantie. La meilleure garantie contre ces dégâts et de vidanger la pompe à fond et d'appliquer les précautions suivantes :

1. Vidangez le réservoir d'eau. Si le réservoir n'a pas de robinet de vidange, ouvrez

tous les robinets en laissant la pompe fonctionner jusqu'à ce que le réservoir soit vide.

2. Ouvrez tous les robinets (y compris la vanne la plus basse ou la vidange de la tuyauterie), laissez la pompe purger l'eau de la tuyauterie puis arrêtez la pompe.

3. Récupérez l'eau restante à l'aide d'une bassine, débranchez la tuyauterie aux orifices d'admission et de refoulement de la pompe. Mettez la pompe en marche et laissez-la tourner jusqu'à ce que l'eau soit expulsée. Coupez l'alimentation électrique

de la pompe une fois que la tuyauterie a été vidangée. Ne rebranchez pas la tuyauterie de la pompe. Laissez une note de rappel sur l'orifice de remplissage du réservoir : « Tuyauterie débranchée ».

4. Tous les robinets doivent être laissés ouverts pour prévenir tout dégât.

5. De l'antigel potable peut être versé dans les drains et les toilettes pour protéger les siphons et les joints des toilettes. Désinfectez le système de tuyauterie avant de le remettre en service.

DÉPANNAGE

Les vibrations provoquées par l'entraînement peuvent desserrer la tuyauterie, les filtres et la visserie de la pompe. Vérifiez qu'aucun composant du système n'est desserré. Reportez-vous au tableau ci-dessous pour des conseils de dépannage.

LA POMPE NE DÉMARRE PAS / FAIT DISJONCTER LE CIRCUIT

- ✓ Raccords électriques, fusible ou coupe-circuit, interrupteur principal et raccordement à la masse.
- ✓ Le moteur est-il chaud ? Le coupe-circuit thermique peut avoir été déclenché ; il se réenclenchera quand il sera froid.
- ✓ L'interrupteur est-il sous tension ? Dérivez le manocontact. La pompe fonctionne-t-elle ?
- ✓ Système de charge pour la tension correcte ($\pm 10\%$) et masse correcte.
- ✓ Circuit ou moteur ouvert ou à la masse ; ou un câble de dimension inadaptée ?
- ✓ Membrane grippée ou bloquée (eau gelée) ?

NE S'AMORCE PAS/TOUSSE (pas de refoulement/le moteur tourne)

- ✓ La crépine est-elle obstruée par des débris ?
- ✓ Y a-t-il de l'eau dans le réservoir, ou de l'air accumulé dans le chauffe-eau ?
- ✓ La tuyauterie/plomberie d'admission aspire-t-elle de l'air au niveau des raccords (prise d'air) ?
- ✓ La plomberie d'admission/de refoulement est-elle fortement obstruée ou pliée ? Y a-t-il des vannes d'étranglement ?
- ✓ Tension correcte avec la pompe en fonctionnement ($\pm 10\%$)
- ✓ Débris dans des vannes

d'admission/de refoulement de la pompe ou vannes gonflées/sèches ?

- ✓ Rechercher des fissures sur le corps de la pompe ou des vis desserrées sur l'assemblage de l'entraînement.

CYCLE RAPIDE

- ✓ Étranglements de tuyauterie et restrictions de débit dans les robinets/pommeaux de douche ?
- ✓ Le filtre/purificateur d'eau doit se trouver sur une conduite d'alimentation séparée.
- ✓ Pression d'arrêt réglée plus basse que la pression de by-pass.

LA POMPE NE S'ARRÊTE PAS / TOURNE QUAND LE ROBINET EST FERMÉ

- ✓ Inspectez la tuyauterie du côté du refoulement (pression) à la recherche de fuites et vérifiez si des vannes ou une toilette fuient.
- ✓ De l'air est-il emprisonné du côté de refoulement (chauffe-eau) ou dans la tête de pompe ?
- ✓ Vérifiez la tension correcte à la pompe ($\pm 10\%$).
- ✓ Y a-t-il des vis desserrées de l'assemblage de l'entraînement ou de la tête de la pompe ?
- ✓ Des vannes sont-elles maintenues ouvertes par des débris, ou est-ce que leur joint en caoutchouc est boursouflé ?
- ✓ Fonctionnement du manocontact : by-pass réglé plus haut que l'arrêt.

FONCTIONNEMENT BRUYANT OU IRRÉGULIER

- ✓ Inspectez la tuyauterie du côté du refoulement (pression) à la recherche de fuites et vérifiez si des

vannes ou une toilette fuient.

- ✓ Une plomberie peut être desserrée par les vibrations.
- ✓ La pompe est-elle raccordée avec une conduite rigide, répercutant le bruit ?
- ✓ La surface de montage amplifie-t-elle le bruit (flexible) ? Cogne-t-elle comme un tambour ?
- ✓ Inspectez les supports de montages qui seraient desserrés ou trop comprimés.
- ✓ Y a-t-il de l'air dans le système ? Vérifiez la présence d'air dans tous les raccords et purgez le système.
- ✓ Moteur avec tête de pompe déposée. Le bruit provient-il du moteur ou de la tête de pompe ?

FUITES AU NIVEAU DE LA TÊTE DE POMPE OU DU MANOCONTACT

- ✓ Y a-t-il des vis desserrées au niveau du manocontact, du by-pass ou de la tête de la pompe ?
- ✓ Membrane de contact rompue ou pincée.
- ✓ Y a-t-il une membrane percée, en cas de présence d'eau dans l'entraînement ?

KITS DE PIÈCES DE RECHANGE (page 24)

1. Manocontact
2. Électrovanne/clapet antiretour et corps supérieur
3. Vanne
4. Entraînement
5. Moteur
6. Clapet antiretour (non illustré)

TROUSSES DE SERVICE

NUMÉRO	4029-110-X02	4029-110-X03	4029-110-X04	4029-181-X32	4009-101-X32	4009-101-X54	4009-101-A65	4009-101-X87	4009-131-X54
1	94-806-00	94-806-01	94-806-02	94-890-00	94-890-00	94-890-01	94-800-05	94-890-02	94-890-01
2	94-890-13	94-890-14	94-890-15	94-890-07	94-890-07	94-890-09	94-800-00	94-890-08	94-890-09
3	94-800-01	94-800-01	94-800-01	94-800-01	94-800-01	94-800-01	94-800-01	94-800-01	94-800-01
4	94-890-16	94-890-16	94-890-16	94-800-02	94-800-02	94-800-02	94-800-02	94-800-02	94-800-02
5	94-11-307-00CE	94-11-307-00CE	94-11-307-00CE	94-11-189-005	94-11-302-00CE	94-11-302-00CE	94-11-302-00CE	94-11-302-00CE	94-11-303-00
Clapet antiretour (N/S)	94-800-03	94-800-03	94-800-03	94-800-03	94-800-03	94-800-03	94-800-03	94-800-03	94-800-03
1, 2, 3, 4	94-890-10	94-890-11	94-890-12	94-890-05	94-890-05	94-890-04	94-800-04	94-890-06	94-890-04

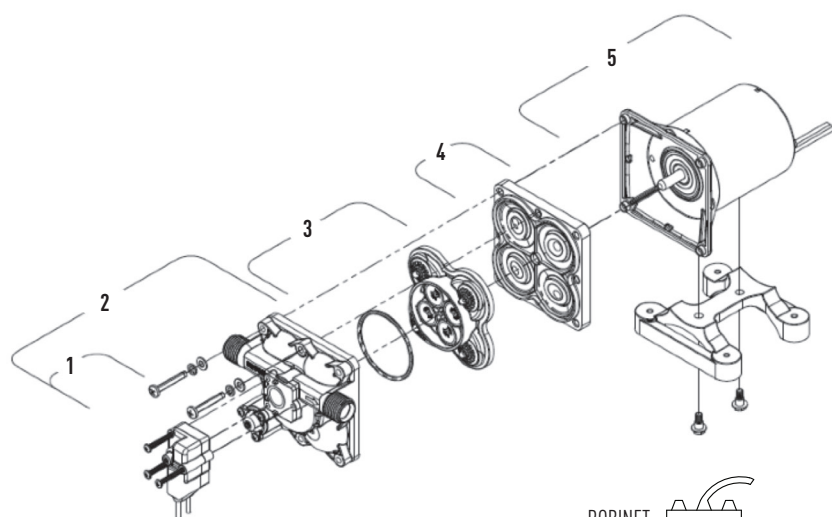
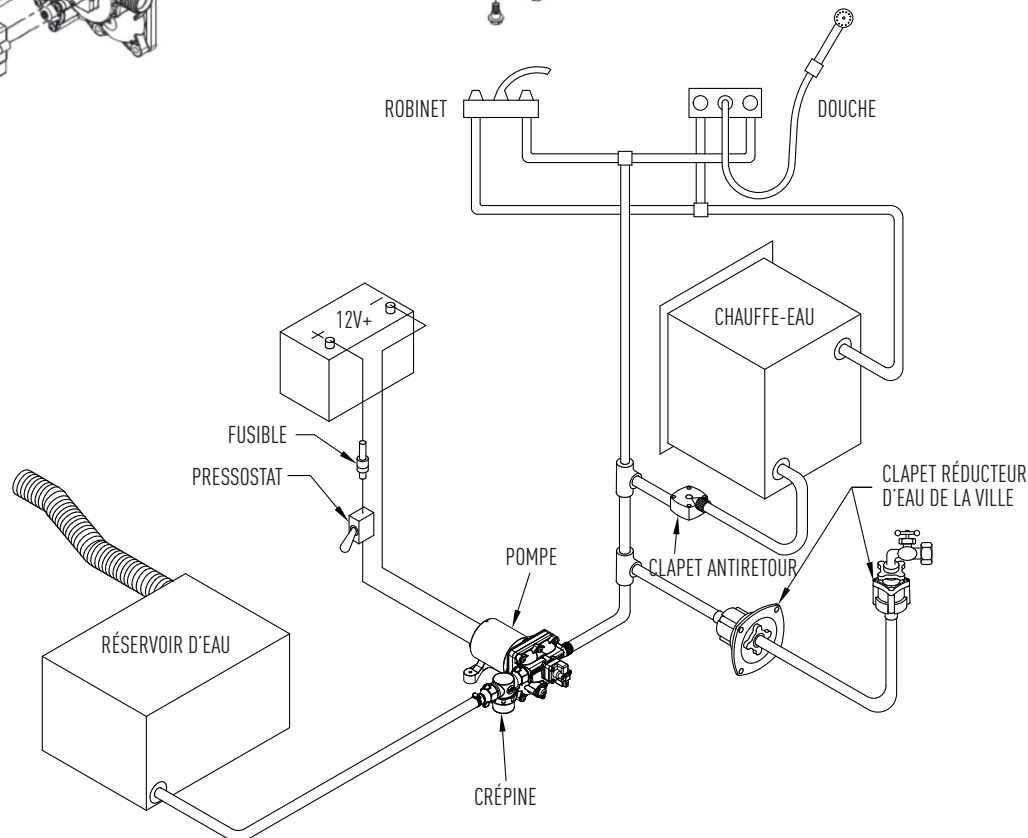


Figure - 1

Pieds [m]		AWG [mm ²]	
0-25	[0-7.6]	16	[1.3]
25-50	[7.6-15.2]	14	[2.1]
50-70	[15.2-21.3]	12	[3.3]
70-110	[21.3-33.5]	10	[5.3]

Calibre du fil minimum pour une chute de tension de 10 % sur un circuit de 12 V en CC, 10 A. La longueur est la distance de la source d'alimentation à la pompe, et de la pompe à la terre.



SHURFLO® POMPA DI ACQUA POTABILE PER CAMPER - TRAIL KING II UTILIZZO SU CAMPER/CARAVAN

MODELLO SERIE 4029 E 4009

Le pompe dell'acqua SHURFLO sono conformi a tutti gli standard fondamentali di salute e sicurezza e agli standard europei di compatibilità elettromagnetica (EMC). Su richiesta sono disponibili dichiarazioni di conformità specifiche.

DETTAGLI DELLA GUIDA ALL'INSTALLAZIONE

Lo scopo dell'installazione è il funzionamento silenzioso della pompa, l'ottenimento del flusso d'acqua desiderato, una contropressione bassa e la facilità di manutenzione. Tali risultati si possono ottenere seguendo la presente guida:

- La pompa deve essere situata in un'area asciutta e nel quale ci sia una ventilazione adeguata.
- Installare su una **superficie omogenea** e in una **posizione accessibile** per la pulizia del filtro di aspirazione e la manutenzione della pompa.
- Utilizzare un tubo flessibile ad alta pressione su entrata e uscita della pompa.
- Le porte di entrata e uscita di pompa e filtro di aspirazione **non devono** essere collegati a un tubo di plastica rigida, per evitare che il normale funzionamento della pompa generi un fenomeno di cavitazione all'interno delle tubazioni rigide, con conseguente rumore e il possibile allentamento o rottura dei componenti.
- La pompa va installata con un **filtro di aspirazione** a rete 50 adeguato [ad esempio uno della serie SHURflo 255].

MONTAGGIO

- Montare la pompa su una superficie omogenea per evitare vibrazioni e rumori.
- Montare la pompa entro 1,8 metri [6 piedi] dal serbatoio di accumulo dell'acqua per ottimizzare rendimento e vita utile della pompa. Anche se la pompa è in grado di lavorare a distanze superiori, maggiore è la distanza, più aumentano vibrazioni e rumori e diminuiscono produzione e vita utile.
- Montare la pompa in uno spazio di almeno un piede cubico, affinché la ventilazione sia sufficiente a prevenire il surriscaldamento del motore elettrico.

- Le tubazioni devono avere un diametro interno minimo pari a **13 mm [1/2"]**. Un eventuale diametro inferiore causerebbe cavitazione, contropressione elevata, flusso ridotto e rumore.
- I modelli con filetto maschio da 1/2" sono destinati all'uso con raccordi portagomma snodati SHURFLO che fanno tenuta grazie all'estremità conica del bordo interno, quando vengono serrati a mano. **ATTENZIONE:** sigillanti e nastro di teflon possono agire come un lubrificante, causando la rottura degli alloggiamenti o rovinando le filettature in seguito a un serraggio eccessivo. Il sigillante può penetrare nella pompa e inibire l'azione della valvola, causando il mancato o la chiusura della valvola stessa. Una rottura causata dalla penetrazione di corpi estranei non è coperta da garanzia.
- Limitare le restrizioni su entrata e uscita della pompa. Ciò include elementi con diametri interni più piccoli come eventuali valvole di chiusura, valvole di preparazione per l'inverno e gomiti.
- Non è necessario avvalersi di un serbatoio di accumulo con le pompe bypass della serie 4009.

- La pompa è concepita esclusivamente per un **utilizzo intermittente**. Evitare di utilizzare queste pompe per impianti di filtrazione a osmosi inversa [RO]. Un uso continuo e a pressioni elevate riduce la vita utile della pompa e non è coperto dalla garanzia.
- La dimensione **MINIMA** dei cavi è 16 GA; quella consigliata è 12 GA [si veda la **tabella cavi** nella sezione elettrica per la dimensione dei cavi, fig. 1 sul verso della pagina].
- Il requisito minimo di corrente per il circuito è di 10 A.
- **Limitare le restrizioni su entrata e uscita.** Ciò include elementi con diametri interni più piccoli come eventuali valvole di chiusura, valvole di preparazione per l'inverno e gomiti.

TUBAZIONI

- È necessario installare un filtro di aspirazione prima dell'entrata della pompa per evitare che nella stessa penetrino detriti. Qualora non venga installato un filtro di aspirazione prima della pompa, la garanzia non è valida.
- Per la riduzione di rumori e vibrazioni, utilizzare un tubo flessibile ad alta pressione di almeno 0,5 m [18"] con diametro interno di 13 mm [1/2"], collegato alle porte di entrata e uscita. Tale tubo va ancorato nel punto di congiunzione con le tubazioni rigide, per ridurre le vibrazioni di queste ultime. Le porte della pompa e il filtro di aspirazione non devono essere collegati a tubi di plastica rigida.
- L'installazione di una valvola di ritegno tra la pompa e lo scaldabagno (se necessaria) eviterà danni alla pompa e all'ingresso di acqua dall'acquedotto dovuti ai colpi d'ariete generati dallo scaldabagno.

COMPONENTI ELETTRICI

■ La pompa funziona al meglio su un circuito filtrato individuale, protetto dal fusibile o dall'interruttore indicato sull'etichetta della pompa.

■ Si consiglia l'uso di un interruttore da 15 A, che va collegato al cavo di alimentazione di potenza.

■ Per un buon funzionamento della pompa sono necessari cavi della corretta dimensione. Se i cavi sono troppo piccoli, la bassa tensione avrà effetto sul rendimento della pompa e potrebbe causare pericoli.

■ **SE SI LASCIA IL CAMPER/CARAVAN, TOGLIERE L'ALIMENTAZIONE ALLA POMPA.**

INFORMAZIONI SUL BYPASS

Il bypass è un diaframma a molla che, quando è aperto, consente il passaggio dell'acqua dal lato dello scarico a quello di entrata. Un'eccessiva regolazione dell'interruttore o del bypass può causare la sovrapposizione fra il bypass stesso e la chiusura dell'interruttore, **IMPEDENDO LA CHIUSURA DELLA POMPA.** Avvitando la vite dell'interruttore in senso orario, la pressione di chiusura aumenta. Svitando la vite dell'interruttore in senso antiorario, la pressione di chiusura diminuisce. Avvitando la vite del bypass, la pressione di avvio del bypass e quella di bypass completo aumentano. Svitando la vite del bypass in senso antiorario, la pressione di avvio del bypass e quella di bypass completo diminuiscono. **AVVERTENZA: Se si raggiunge il bypass completo prima dell'impostazione di chiusura, la pompa non si chiuderà.** L'impostazione della pressione di bypass completo deve essere di almeno 0,48 bar [7 psi] più alta della pressione di chiusura della pompa.

MANUTENZIONE

È sufficiente controllare e pulire il filtro di aspirazione, disinfettare e svolgere le normali operazioni di preparazione per l'inverno e controllare periodicamente la tenuta dell'impianto idraulico e dei raccordi. La mancata disinfezione è la causa numero uno di guasti alla pompa e cattivo rendimento nel tempo. La mancata disinfezione causa accumulo di calcare su diaframma e valvole, con conseguenti riduzione del flusso e perdite (si potranno verificare cicli della pompa senza che vengano aperti rubinetti o il riempimento del serbatoio in caso di allaccio all'approvvigionamento idrico).

FUNZIONAMENTO DELLA POMPA CON INTERRUOTORE DI PRESSIONE REGOLABILE

Le restrizioni dell'impianto idraulico possono indurre il ciclo rapido della pompa (ON/OFF entro due secondi) nelle fasi in cui è richiesto un flusso ridotto. Tale ciclo deve essere ridotto al minimo per evitare un flusso pulsante e ottimizzare la vita utile della pompa. Per stabilire se sia necessario apportare dei correttivi, attivare il rubinetto su un flusso d'acqua inferiore alla media. La pompa dovrebbe dare inizio al ciclo, ma il tempo di disattivazione deve essere di almeno due secondi. Se il ciclo è corretto, evitare di apportare modifiche. Se il ciclo della pompa aumenta rapidamente di velocità, cambiare le impostazioni ruotando la vite in senso orario (da ½ giro a un massimo di ¾ di giro) finché non funziona per un secondo con almeno due secondi di disattivazione. Se non si riesce a ridurre al minimo il ciclo, prendere in considerazione la rimozione delle restrizioni dell'impianto idraulico o installare un accumulatore SHURFLO.

DISINFEZIONE

Gli impianti per acqua potabile richiedono una manutenzione periodica per far sì che i vari componenti funzionino correttamente e garantire un flusso costante di acqua potabile. È fortemente consigliata la disinfezione: prima dello stoccaggio, dopo un periodo di stoccaggio e ogniqualvolta l'impianto venga aperto o contaminato. Agire come segue: **NOTA: Consultare le istruzioni specifiche riportate nel manuale d'uso del veicolo. Bypassare eventuali filtri o rimuovere le relative cartucce.**

1. Stabilire la quantità di normale candeggina necessaria per disinfettare il serbatoio.

A) 2 once di candeggina per un serbatoio da 15 galloni: serbatoio da 60 galloni [15 x 4] = 4 x 2 once = 8 once di candeggina.

B) 1 ml di candeggina per un serbatoio da 1 litro: serbatoio da 300 litri = 300 millilitri di candeggina.

FUNZIONAMENTO DELLA POMPA CON BYPASS REGOLABILE E INTERRUOTORE DI PRESSIONE REGOLABILE

La pompa funziona normalmente fino a una pressione di bypass di circa 1 bar [15 psi], alla quale una valvola bypass a molla si apre, consentendo un flusso di ritorno dal lato di uscita a quello di entrata e garantendo un flusso costante e uniforme praticamente senza ciclo, fino a un flusso equivalente allo sgocciolamento. Quando viene aperto un rubinetto la pressione scende, il bypass si chiude e si ottiene il flusso massimo. La qualità del flusso è buona, anche con le odierne docce e i rubinetti con spruzzatore estraibile moderni a ridotto consumo di acqua. Il rendimento potrà variare a seconda della tensione della pompa: tanto più questa sarà bassa, tanto minore sarà il flusso. Usare sempre cautela e rispettare le norme di sicurezza elettrica. È sempre preferibile togliere l'alimentazione alla pompa se si lascia il camper/caravan.

2. Miscelare la candeggina con acqua in un contenitore come una brocca. Se il serbatoio viene riempito attraverso un raccordo pressurizzato, versare la candeggina nel tubo prima di collegare quest'ultimo all'approvvigionamento idrico.

3. Versare la soluzione di candeggina nel serbatoio e riempire quest'ultimo di acqua potabile. Far muovere avanti e indietro il camper per raggiungere le pareti e la parte superiore del serbatoio dell'acqua potabile.

4. Aprire tutti i rubinetti (acqua calda E fredda) facendo scorrere l'acqua finché l'odore del cloro non sia percettibile. Per una disinfezione completa lasciar trascorrere un tempo di contatto di quattro (4) ore. Raddoppiando la concentrazione della soluzione sarà sufficiente un tempo di contatto di un'ora (1).

5. Svotare il serbatoio. Riempire nuovamente il serbatoio e lavare l'impianto una o due volte, finché l'odore di cloro non sia diminuito. Il colore e il sapore residui di cloro non sono dannosi.

PREPARAZIONE PER L'INVERNO

Consultare le istruzioni specifiche riportate nel manuale d'uso del veicolo.

Se si consente all'acqua di congelarsi nell'impianto possono verificarsi gravi danni a tubazioni e pompa. Guasti di questo tipo annullano il valore della garanzia. Il modo migliore per tutelarsi dai danni è svuotare completamente la pompa e agire come segue:

1. Svuotare il serbatoio dell'acqua. Se il serbatoio non è dotato di valvola di scarico, aprire tutti i rubinetti, facendo funzionare la pompa fino allo svuotamento del serbatoio.

2. Aprire tutti i rubinetti (inclusi la valvola o lo scarico più bassi delle tubazioni, consentire alla pompa di eliminare l'acqua delle tubazioni e poi disattivarla.

3. Utilizzare un recipiente per catturare l'acqua residua, rimuovere le tubazioni presso le porte di entrata/uscita della pompa. Attivare la pompa, facendola funzionare finché l'acqua non viene espulsa. Togliere l'alimentazione alla pompa una volta svuotate le tubazioni. Non ricollegare le tubazioni della pompa. Apporre un promemoria sul serbatoio: "Tubazioni scollegate".

4. Tutti i rubinetti devono essere lasciati aperti per evitare eventuali danni.

5. È possibile versare antigelo potabile negli scarichi e nei gabinetti per proteggere i sifoni e le guarnizioni del gabinetto. Disinfettare l'impianto idraulico prima di rimetterlo in funzione.

RICERCA GUASTI

Le vibrazioni legate alla guida possono allentare tubazioni, filtri di aspirazione e hardware della pompa. Verificare l'eventuale presenza di componenti allentati. Inoltre, fare riferimento alla seguente tabella per suggerimenti sulla ricerca di guasti.

LA POMPA NON SI AVVIA / FA SALTARE IL CIRCUITO

- ✓ Collegamenti elettrici, fusibile o interruttore, interruttore principale e messa a terra.
- ✓ Il motore è caldo? Può essere scattato l'interruttore termico; il ripristino avviene quando il motore si raffredda.
- ✓ C'è tensione sull'interruttore? Bypassare l'interruttore di pressione. La pompa funziona?
- ✓ Caricare l'impianto alla tensione corretta ($\pm 10\%$) e verificare la giusta messa a terra.
- ✓ Circuito aperto o con messa a terra o motore; cavi di dimensioni inadeguate.
- ✓ Gruppo diaframma ostruito o bloccato (acqua congelata?).

NON SI AVVIA / SCHIZZA (Niente scarico/il motore funziona)

- ✓ Il filtro di aspirazione è ostruito dai detriti?
- ✓ C'è acqua nel serbatoio o si è accumulata aria nello scaldabagno?
- ✓ Le tubazioni in entrata aspirano aria all'altezza delle connessioni (perdita di tenuta del vuoto)?
- ✓ Le tubazioni di entrata/uscita sono gravemente ostruite o deformate? Valvole ostruite?
- ✓ Tensione adeguata per il funzionamento della pompa ($\pm 10\%$)

- ✓ Eventuali detriti nelle valvole di entrata/uscita della pompa o valvole gonfie/secche
- ✓ Eventuali crepe nell'alloggiamento della pompa o viti nell'assieme motore allentate.

CICLO RAPIDO

- ✓ Eventuale presenza di tubazioni ostruite o blocchi nei rubinetti o negli ugelli delle docce.
- ✓ Il filtro/impianto di trattamento acqua deve essere su una linea di alimentazione separata.
- ✓ Pressione di chiusura impostata troppo bassa.

LA POMPA NON SI CHIUDE / FUNZIONA QUANDO IL RUBINETTO È CHIUSO

- ✓ Eventuali perdite nel lato di uscita (pressione); valvole o gabinetto eventuali con perdite.
- ✓ Aria intrappolata nel lato di uscita (scaldabagno) o nella testata della pompa.
- ✓ Corretta tensione verso la pompa ($\pm 10\%$).
- ✓ Eventuali viti allentate nell'assieme motore o nella testata della pompa.
- ✓ Le valvole sono tenute aperte da detriti o la gomma è gonfia?
- ✓ Funzionamento dell'interruttore di pressione. Bypass impostato più alto rispetto alla chiusura.

FUNZIONAMENTO RUMOROSO O IRREGOLARE

- ✓ Eventuali perdite nel lato di uscita (pressione); valvole o gabinetto con eventuali perdite.
- ✓ Tubazioni allentate a causa delle vibrazioni.
- ✓ Le tubazioni rigide della pompa

causano rumore?

- ✓ La superficie di montaggio (flessibile) aumenta il rumore? Viene emesso un suono simile a un tamburo?
- ✓ Eventuali piedini di montaggio allentati o soggetti a eccessiva compressione.
- ✓ Eventuale presenza di aria nell'impianto. Verificare l'eventuale presenza di aria all'interno dell'impianto e svuotarlo.
- ✓ Motore con testata della pompa rimossa. Il rumore proviene dal motore o dalla testata della pompa?

PERDITE DA TESTATA O INTERRUPTORE

- ✓ Eventuali viti allentate su interruttore, bypass o testata della pompa.
- ✓ Diaframma dell'interruttore lacerato o danneggiato.
- ✓ Eventuale diaframma danneggiato in caso di presenza di acqua nell'assieme motore.

KIT DI ASSISTENZA (pagina 24)

1. Interruttore di pressione
2. Interruttore/valvola di non ritorno e alloggiamento superiore
3. Assieme valvola
4. Assieme motore
5. Motore
6. Valvola di non ritorno (non illustrata)

KIT DI ASSISTENZA

NUMERO	4029-110-X02	4029-110-X03	4029-110-X04	4029-181-X32	4009-101-X32	4009-101-X54	4009-101-A65	4009-101-X87	4009-131-X54
1	94-806-00	94-806-01	94-806-02	94-890-00	94-890-00	94-890-01	94-800-05	94-890-02	94-890-01
2	94-890-13	94-890-14	94-890-15	94-890-07	94-890-07	94-890-09	94-800-00	94-890-08	94-890-09
3	94-800-01	94-800-01	94-800-01	94-800-01	94-800-01	94-800-01	94-800-01	94-800-01	94-800-01
4	94-890-16	94-890-16	94-890-16	94-800-02	94-800-02	94-800-02	94-800-02	94-800-02	94-800-02
5	94-11-307-00CE	94-11-307-00CE	94-11-307-00CE	94-11-189-005	94-11-302-00CE	94-11-302-00CE	94-11-302-00CE	94-11-302-00CE	94-11-303-00
Valvola di ritegno (N/S)	94-800-03	94-800-03	94-800-03	94-800-03	94-800-03	94-800-03	94-800-03	94-800-03	94-800-03
1, 2, 3, 4	94-890-10	94-890-11	94-890-12	94-890-05	94-890-05	94-890-04	94-800-04	94-890-06	94-890-04

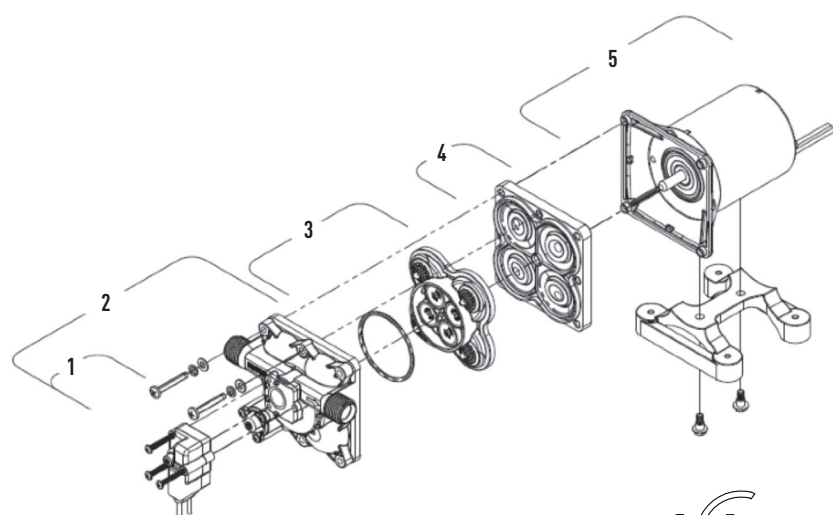
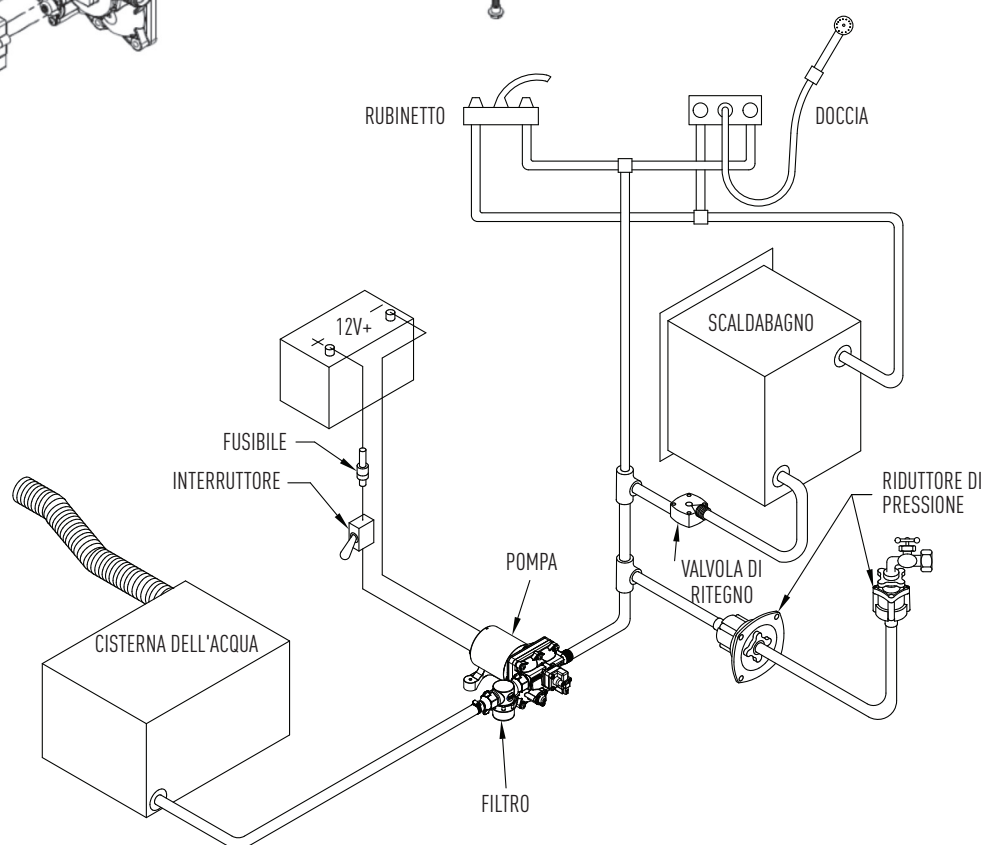


Figura - 1

Piedi [m]		AWG [mm ²]	
0-25	[0-7.6]	16	[1.3]
25-50	[7.6-15.2]	14	[2.1]
50-70	[15.2-21.3]	12	[3.3]
70-110	[21.3-33.5]	10	[5.3]

Dimensione minima dei cavi per una caduta di tensione del 10% su un circuito a 12V DC, 10Amp. La lunghezza è la distanza dall'alimentazione alla pompa e dalla pompa alla messa a terra.



SHURFLO® DRINKWATERPOMP VOOR CAMPERS - TRAIL KING II VOOR GEBRUIK IN CAMPERS/CARAVANS

MODELSERIES 4029 EN 4009

SHURFLO waterpompen voldoen aan alle belangrijke gezondheids- en veiligheidsvoorschriften en aan de Europese richtlijnen voor elektromagnetische compatibiliteit (EMC). Specifieke verklaringen van overeenstemming zijn op aanvraag beschikbaar.

RICHTLIJNEN VOOR DE INSTALLATIE

Bij de installatie moet u het volgende nastreven: een geruisloze werking van de pomp, het gewenste waterdebiet, een lage tegendruk en een eenvoudig onderhoud. Die doelstellingen bereikt u door de onderstaande richtlijnen te volgen:

- De pompen moeten op een droge, goed geventileerde plaats geïnstalleerd worden.
- Monteer de pomp op een **stevig oppervlak** en op een **toegankelijke plek** zodat de zeef en de pomp gemakkelijk schoongemaakt en onderhouden kunnen worden.
- Gebruik flexibele hogedrukleidingen op de in- en uitgang van de pomp [**zoals SHURflo Kit 94-591-01**].
- De in- en uitgangen van de pomp en de zeef **mogen niet** op stijve leidingen uit kunststof aangesloten worden. Is dat wel het geval, dan geeft de normale werking van de pomp cavitatie via de stijve leidingen door, waardoor er lawaai ontstaat en er onderdelen los kunnen geraken of barsten gaan vertonen.
- De pomp moet van een aangepaste 50-mazige zeef voorzien worden [zoals de zeven uit de SHURflo 255 Serie].
- De leidingen moeten een binnendiameter hebben van minimum **13 mm [1/2"]**. Leidingen met een kleinere binnendiameter hebben cavitatie, een hoge tegendruk, een laag debiet en lawaai tot gevolg.
- Het is de bedoeling dat de pompmodelen met 1/2" mannelijke schroefdraad gebruikt worden met draaibare slangadaptoraansluitstuk die, als ze handvast gedraaid worden, afdichten door hun conisch profiel. **OPGELET:** afdichtingspastas en Teflonlint kunnen als smeermiddel dienst doen wat kan resulteren in gescheurde pomphuizen of beschadigde schroefdraad door het te vast draaien van het aansluitstuk. De pasta kan in de pomp terecht komen waardoor de kleppen minder goed kunnen functioneren, waardoor de pomp niet zal aanzuigen of uitschakelen. Een panne veroorzaakt door materialen en/of stukjes niet afkomstig van de pomp worden niet gedekt door garantie.
- Verminder vernauwingen op de in- en uitgang van de pomp. Dat zijn elementen met een kleinere binnendiameter, zoals afsluitkleppen, kleppen voor het winterklaar maken, en ellebogen.
- Bij een bypasspomp van de 4009 Serie is het niet nodig om een accumulatievat te gebruiken.
- De pomp is uitsluitend ontworpen voor een **intervalwerking**. Gebruik deze pompen niet voor een 'omgekeerde osmose' [RO] filtersysteem. Een hoge druk en een permanent gebruik zullen de levensduur van de pomp inkorten en worden niet door de garantie gedekt.
- De **MINIMUM** kabeldikte is 16 GA. Voor de kabeldikte is 12 GA aanbevolen (zie het **Kabelschema** in de paragraaf 'Elektriciteit' (achterpagina illustratie 1).
- 10 ampère is het minimum vereiste stroomvermogen.
- **Verminder vernauwingen op de in- en uitgang van de pomp.** Dat zijn elementen met een kleinere binnendiameter, zoals afsluitkleppen, kleppen voor het winterklaar maken, en ellebogen.

LEIDINGEN

- Voor de ingang van de pomp moet een zeef gemonteerd worden om te vermijden dat vuil in de pomp dringt. Als er voor de pomp geen zeef gemonteerd is, vervalt de garantie.
- Om lawaai en trillingen te verminderen, gebruikt u flexibele hogedrukleidingen van minstens 0,5 m [18"] met een binnendiameter van 13 mm [1/2"] om zowel de in- als uitgang van de pomp aan te sluiten. Die leidingen moeten verankerd worden op het punt waar ze op de stijve leidingen aangesloten worden, om trillingen in de leidingen te vermijden. De in- en uitgang van de pomp en de zeef mogen niet direct op stijve leidingen uit kunststof aangesloten worden.
- Installatie van een terugslagklep tussen de pomp en de waterverwarmer (indien van toepassing) voorkomt beschadiging van de pomp en de leidingwatingang door een piek van hoge druk vanuit de waterverwarmer.

BEVESTIGING

- Bevestig de pomp op een stevig oppervlak om trillingen en lawaai te voorkomen.
- Monteer de pomp binnen 1,8 meter [6 voet] van de watertank. Zo levert ze de beste prestaties en heeft ze de langste levensduur. De pomp kan weliswaar water over een grotere afstand aanzuigen, maar dan moet ze harder draaien waardoor niet alleen het trillings- en geluidsniveau toeneemt, maar ook het debiet vermindert en de levensduur van de pomp ingekort wordt.
- Monteer de pomp in een ruimte van minimum 1 kubieke voet met het oog op een goede verluchting zodat de elektrische motor niet oververhit raakt.
- De pomp kan in gelijk welke oriëntatie gemonteerd worden.
- Plaats de pomp op een gemakkelijk toegankelijke plek om ze te kunnen onderhouden en om de zeef schoon te maken.
- De pomp mag niet ondergedompelt worden en moet beschermd worden tegen vochtigheid, stof en vuil. Een panne veroorzaakt door deze oorzaken worden niet gedekt door garantie.

ELEKTRICITEIT

■ De pomp werkt het best in een afzonderlijk circuit, beschermd door de zekering of het verbreekcontact vermeld op het pomplabel.

■ Een schakelaar van 15 A is aanbevolen en moet op de positieve kabel aangesloten worden.

■ De juiste kabeldikte is nodig voor een goede werking van de pomp. Als de kabel te dun is, vermindert de lage spanning het rendement van de pomp, en kan dat een gevaar vormen.

■ **SLUIT DE ELEKTRICITEIT AF WANNEER U DE CAMPER/CARAVAN VERLAAT.**

OVER DE BYPASS

De bypass is een diafragma met veer dat, wanneer het geopend is, water van de stuwzijde terug naar de zuigzijde laat stromen. Als de schakelaar of de bypass te veel aangepast worden, kunnen de bypass en de afsluitschakelaar elkaar overlappen en **ZAL DE POMP NIET UITSCHAKELEN.**

De schakelaarschroef met de wijzers van de klok mee draaien, verhoogt de afsluitdruk. De schakelaarschroef tegen de wijzers van de klok in draaien, verlaagt de afsluitdruk. De schroef van de bypass met de wijzers van de klok mee aandraaien, verhoogt de druk waarbij de bypass begint te werken en verhoogt de druk waarbij de bypass volledig geopend wordt. De schroef van de bypass tegen de wijzers van de klok in draaien, verlaagt de druk waarbij de bypass begint te werken en verlaagt de druk waarbij de bypass volledig geopend wordt. **WAARSCHUWING: als de volledige bypassdruk nog voor de afsluitinstelling bereikt wordt, zal de pomp niet uitschakelen.** De druk waarbij de bypass volledig geopend wordt, moet minstens 0,48 bar [7 psi] hoger zijn dan de druk waarbij de pomp uitschakelt.

ONDERHOUD

Het normale onderhoudswerk is beperkt: de zeef nakijken en schoonmaken, de pomp desinfecteren en klaarmaken voor de winter, en af en toe de leidingen en aansluitingen op lekken controleren. Onvoldoende desinfecteren is de belangrijkste reden voor een vroegtijdige storing van de pomp en een slecht rendement na verloop van tijd. Onvoldoende desinfecteren leidt tot aanslag op het diafragma en de kleppen, waardoor het debiet beperkt wordt en het water kan terugstromen (de pomp slaat af en toe aan zonder dat een kraan geopend is of wanneer de tank gevuld wordt via een aansluiting op de waterleiding).

POMP MET EEN SCHAKELAAR OM DE DRUK AAN TE PASSEN

Vernauwingen in het leidingsysteem kunnen ervoor zorgen dat, wanneer er weinig debiet gevraagd wordt, de pomp snel in- en uitschakelt (AAN/UIT binnen 2 seconden). Dat fenomeen moet tot een minimum beperkt worden, om te vermijden dat de waterstroom gaat pulseren, en om de levensduur van de pomp te verlengen. Om te bepalen of er een aanpassing nodig is, opent u de kraan op een lager dan gemiddeld waterdebiet. De pomp moet in- en uitschakelen, maar de stilstandtijd (UIT) moet 2 seconden of meer bedragen. Als de in- en uitschakelcyclus in orde is, hoeft u niets te wijzigen. Als de pomp snel in- en uitgeschakeld wordt, verhoogt u de instelling door de schroef met de wijzers van de klok mee (1/2 DRAAI tot 3/4 DRAAI MAX.) te draaien tot de pomp 1 seconde werkt en minstens 2 seconden stilstaat. Als de in- en uitschakelcyclus niet verminderd kan worden, moet u overwegen om vernauwingen in de leidingen te verwijderen of om gewoon een SHURFLO accumulatie tank te installeren.

DESINFECTEREN

Systemen voor drinkbaar water vergen een regelmatig onderhoud opdat de onderdelen goed zouden werken en om een gelijkmatige aanvoer van vers water te garanderen. Desinfecteren wordt aanbevolen voor een opslagperiode, na een opslagperiode of op elk moment wanneer het systeem geopend of vervuild werd. Volg de werkwijze hieronder: **OPMERKING:** raadpleeg de handleiding van uw voertuig voor specifieke instructies. Zorg voor een bypassleiding bij de filters of verwijder de filterpatronen.

1. Bereken de hoeveelheid huishoudelijk bleekmiddel dat u nodig hebt om de tank te desinfecteren.

A) 2 ons bleekmiddel per 15 gallon tankvolume: een tank van 60 gallon [15 x 4] = 4 x 2 ons = 8 ons bleekmiddel.

B) 1 ml bleekmiddel per liter tankvolume: een tank van 300 liter = 300 milliliter bleekmiddel.

POMPEN MET EEN INSTELBARE BYPASS EN EEN SCHAKELAAR OM DE DRUK TE REGELEN

De pomp werkt normaal tot een bypassdruk van ongeveer 1 bar [15 psi]. Dan gaat een bypassklep met veer open zodat er water van de stuwzijde naar de aanzuigzijde kan stromen. Dat garandeert een gelijkmatige, ononderbroken waterstroom waarbij de in- en uitschakelcyclus zo goed als volledig geëlimineerd is – zelfs bij een minimaal debiet. Als een kraan geopend wordt, daalt de druk. De bypass sluit en het volledige debiet wordt verkregen. Dat zorgt voor een goede waterstroom, zelfs met de spaarkoppen die vandaag in douches en kranen met sproeikoppen gebruikt worden. Het waterdebiet zal uiteraard volgens de stroomspanning op de pomp variëren: lagere spanning = lager debiet, hogere spanning = hoger debiet. Wees altijd voorzichtig en pas de regels i.v.m. elektrische veiligheid toe. Wanneer u de camper/caravan verlaat, kunt u altijd het best de stroomvoeding van de pomp afsluiten.

2. Meng het bleekmiddel met water in een jerrycan. Als de tank via een aansluiting onder druk gevuld wordt, giet u het bleekmiddel in de leiding voor u de leiding op de waterleiding aansluit.

3. Giet het mengsel met het bleekmiddel in de tank en vul de tank met drinkbaar water. Schud de camper heen en weer om ook de boven- en zijkanalen van de tank met drinkbaar water nat te maken.

4. Draai alle kranen (warm en koud) open en laat het water lopen tot u een chloorgeur opmerkt. Voorzie vier (4) uur contacttijd zodat het systeem volledig gedesinfecteerd is. Door de concentratie te verdubbelen, kunt u de contacttijd tot een (1) uur beperken.

5. Laat de tank leeg lopen. Vul de tank opnieuw en spoel het systeem een of twee keer tot de geur vermindert. De resterende chloorgeur- en smaak zijn niet gevaarlijk.

WINTERKLAAR MAKEN

Raadpleeg de handleiding van het voertuig voor specifieke instructies voor het winterklaar maken.

Als water in het systeem bevriest, kan dat ernstige schade aan de leidingen en de pomp veroorzaken. Dergelijke fouten doen de garantie teniet. De beste garantie tegen schade bestaat erin de pomp volledig leeg te laten lopen en de volgende maatregelen te nemen:

1. Laat de watertank leeg lopen. Als de tank niet van een afvoerklep voorzien is, opent u alle kranen en laat u de pomp werken tot de tank leeg is.

2. Open alle kranen (met inbegrip van de laagste klep of afvoer in de leidingen), laat de pomp het water uit de leidingen zuigen en schakel dan de pomp UIT.

3. Verwijder de leidingen op de in- en uitgang van de pomp. Gebruik een emmer om het resterende water op te vangen. Schakel de pomp IN, laat ze draaien tot al het water eruit is. Schakel de pomp UIT zodra de leidingen leeg zijn. Sluit de leidingen niet opnieuw op de pomp aan. Hang een herinneringsberichtje bij het punt waar u de tank vult: "Leidingen losgekoppeld."

4. Alle kranen moeten open gelaten worden om ze tegen schade te beschermen.

5. Drinkbaar antivriesmiddel mag in de afvoerleidingen en toiletten gegoten worden om sifons en toiledichtingen te beschermen. Desinfecteer het leidingsysteem voor u het weer in gebruik neemt.

PROBLEMEN OPLOSSEN

Door trillingen tijdens het rijden kunnen de leidingen, de zeven en de pomp loskomen. Controleer het systeem op eventuele losse onderdelen. Raadpleeg ook de tabel hieronder voor tips om problemen op te lossen.

POMP START NIET/VERBRANDT DE ZEKERING

- ✓ Elektrische aansluitingen, zekering of verbreekcontact, hoofdschakelaar en aarding.
- ✓ Is de motor warm? Thermisch verbreekcontact kan geactiveerd zijn; zodra het afgekoeld is, stelt het zich terug.
- ✓ Heerst er spanning op de schakelaar? Schakelaar bypassdruk. Werkt de pomp?
- ✓ Het systeem opladen tot de juiste spanning ($\pm 10\%$) en goede aarding.
- ✓ Controleer op een open of geaard circuit, of motor, of verkeerde kabeldikte.
- ✓ Controleer op een geblokkeerde of gesloten diafragma-eenheid (water bevroren?).

ZUIGT NIET AAN/SPUTTERT (geen uitvoer/motor draait)

- ✓ Is de zeef verstopt met vuil?
- ✓ Is er water in de tank, of heeft er zich lucht in de boiler opgehoopt?
- ✓ Zuigt de inlaatleiding/leiding lucht aan ter hoogte van de aansluitingen (vacuümlek)?
- ✓ Vertoont de in-/uitlaatleiding een sterke vernauwing of knik? Kleppen die een vernauwing vormen?
- ✓ Juiste spanning als de pomp werkt ($\pm 10\%$)

- ✓ Controleer op vuil in de in-/uitlaatkleppen van de pomp of op gezwollen/droge kleppen.
- ✓ Controleer op barsten in de pompbehuizing of op losse montage-schroeven.

SNEL IN- EN UITSCHAKELEN

- ✓ Controleer op vernauwingen in de leiding en stroombeperkingen in kranen/douchekoppen.
- ✓ De waterfilter/zuiveringseenheid moet een aparte voedingslijn hebben.
- ✓ Afsluitdruk te laag ingesteld.

POMP SCHAKELT NIET UIT/DRAAIT WANNEER KRAAN GESLOTEN IS

- ✓ Controleer de uitlaatleiding (stuwzijde) op lekken, controleer op lekkende kleppen of toilet.
- ✓ Controleer op lucht in de uitlaatzijde (boiler) of de pompkop.
- ✓ Controleer of de spanning op de pomp juist is ($\pm 10\%$).
- ✓ Controleer of de pompeenheid of de schroeven van de pompkop niet los zitten.
- ✓ Blijven de kleppen geopend door vuil of is het rubber gezwollen?
- ✓ Controleer de werking van de drukschakelaar. Bypassdruk hoger ingesteld dan afsluitdruk.

LUIDRUCHTIGE OF ONGELIJKMATIGE WERKING

- ✓ Controleer de uitlaatleiding (stuwzijde) op lekken, controleer op lekkende kleppen of toilet.
- ✓ Controleer of er door trillingen geen leidingen losgekomen zijn.

- ✓ Zijn er stijve leidingen op de pomp aangesloten zodat geluiden doorgegeven worden?
- ✓ Werkt het montagevlak als een geluidsversterker (soepel oppervlak)? Klinkt het als een trommel?
- ✓ Controleer op montagevoeten die losstaan of die te hard aangedrukt zijn.
- ✓ Controleer op lucht in het systeem. Controleer alle aansluitingen op luchtlekken en ontlucht het systeem.
- ✓ De motor met verwijderde pompkop. Komt het geluid van de motor of van de pompkop?

LEKKEN IN KOP OF SCHAKELAAR

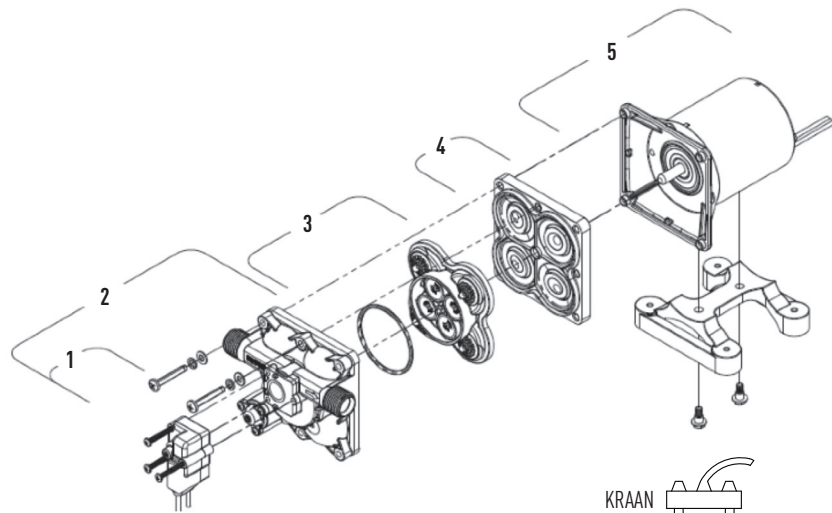
- ✓ Controleer op losse schroeven bij schakelaar, bypass of pompkop.
- ✓ Schakeldiafragma gebroken of doorboord.
- ✓ Controleer op een doorboord diafragma als er water in de aandrijfeenheid is.

SERVICE KITS (pagina 24)

1. Drukschakelaar
2. Schakelaar/terugslagklep en bovenstuk van behuizing
3. Klepeenheid
4. Aandrijfeenheid
5. Motor
6. Terugslagklep (niet afgebeeld)

ONDERHOUDSKITS

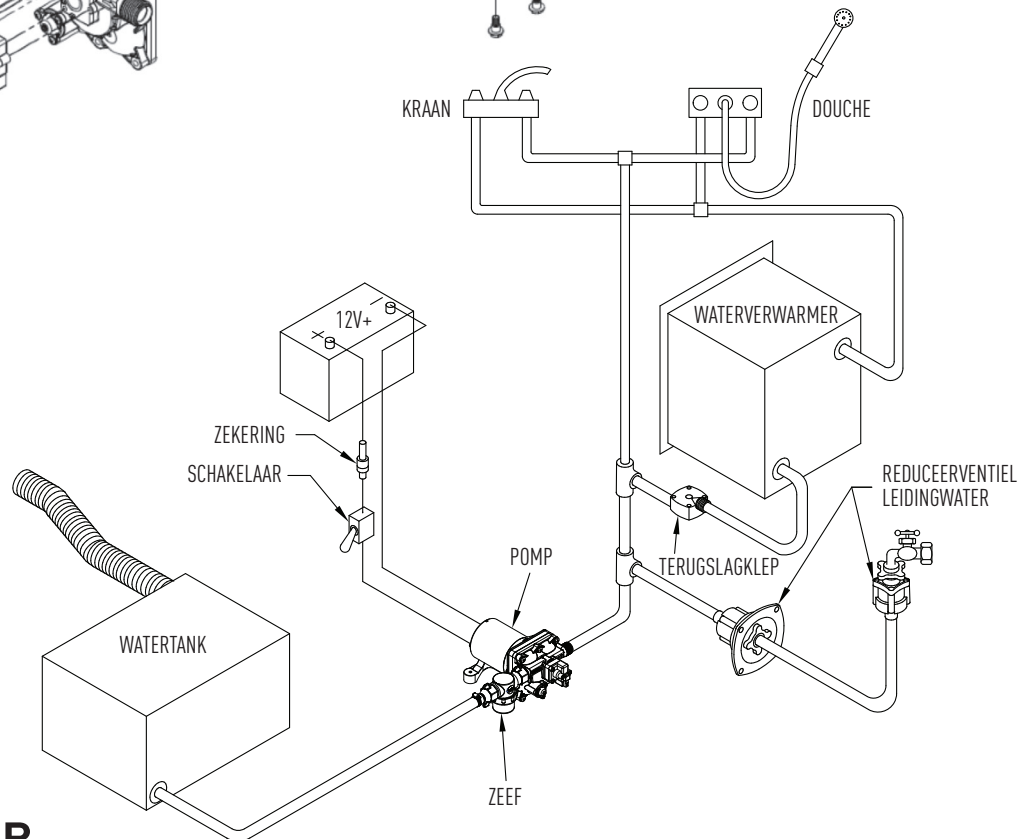
NUMMER	4029-110-X02	4029-110-X03	4029-110-X04	4029-181-X32	4009-101-X32	4009-101-X54	4009-101-A65	4009-101-X87	4009-131-X54
1	94-806-00	94-806-01	94-806-02	94-890-00	94-890-00	94-890-01	94-800-05	94-890-02	94-890-01
2	94-890-13	94-890-14	94-890-15	94-890-07	94-890-07	94-890-09	94-800-00	94-890-08	94-890-09
3	94-800-01	94-800-01	94-800-01	94-800-01	94-800-01	94-800-01	94-800-01	94-800-01	94-800-01
4	94-890-16	94-890-16	94-890-16	94-800-02	94-800-02	94-800-02	94-800-02	94-800-02	94-800-02
5	94-11-307-00CE	94-11-307-00CE	94-11-307-00CE	94-11-189-005	94-11-302-00CE	94-11-302-00CE	94-11-302-00CE	94-11-302-00CE	94-11-303-00
Terugslagklep (N/S)	94-800-03	94-800-03	94-800-03	94-800-03	94-800-03	94-800-03	94-800-03	94-800-03	94-800-03
1, 2, 3, 4	94-890-10	94-890-11	94-890-12	94-890-05	94-890-05	94-890-04	94-800-04	94-890-06	94-890-04



Afbeelding - 1

Voet [m]		AWG [mm ²]	
0-25	[0-7.6]	16	[1.3]
25-50	[7.6-15.2]	14	[2.1]
50-70	[15.2-21.3]	12	[3.3]
70-110	[21.3-33.5]	10	[5.3]

Minimale draadlengte voor een spanningsdaling van 10% op een kring van 12 VDC, 10 amp. De lengte is de afstand tussen de voedingsbron en de pomp en terug naar aarde.



3545 HARBOR GATEWAY SOUTH, SUITE 103, COSTA MESA, CA 92626, (800) 854-3218 WWW.SHURFLO.COM

All Pentair trademarks and logos are owned by Pentair, Inc. All other brand or product names are trademarks or registered marks of their respective owners. Because we are continuously improving our products and services, Pentair reserves the right to change specifications without prior notice. Pentair is an equal opportunity employer.

911-1038 Rev. D English, Spanish, German, French, Italian and Dutch 11/16 ©Pentair, Inc. All Rights Reserved.