



Add Panache to Your Post-to-Beam Connections

The new Avant Collection knee brace connectors make installation of these bracing supports fast and easy. This new product is available in two sizes: APVKB45-4 and APVKB45-6 to accommodate 4x and 6x lumber. Both sizes install with the 3½" structural wood screw and STN22 hex-head washer, making it easy to add style to knee brace connections. The Outdoor Accents APVKB connectors help take the guesswork out of screw placement, making for an easier installation.

Key Features

- ZMAX® galvanized steel with a black powder-coat finish provides medium corrosion protection
- Easily attaches to post to install knee braces
- Adds decorative flair to knee brace connections

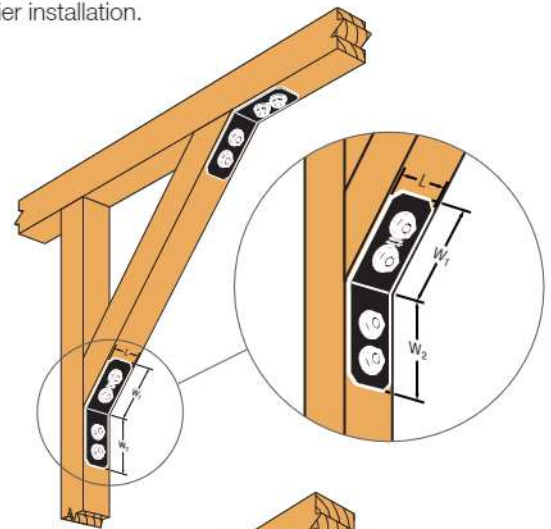
Knee Braces

Model No.	Ga.	Dimensions (in.)			Fastener Qty.	
		L	W1	W2	Column or Beam	Knee Brace
APVKB45-4	12	3	5½	5½	2	2
APVKB45-6	12	5	4¾	4¾	2	2

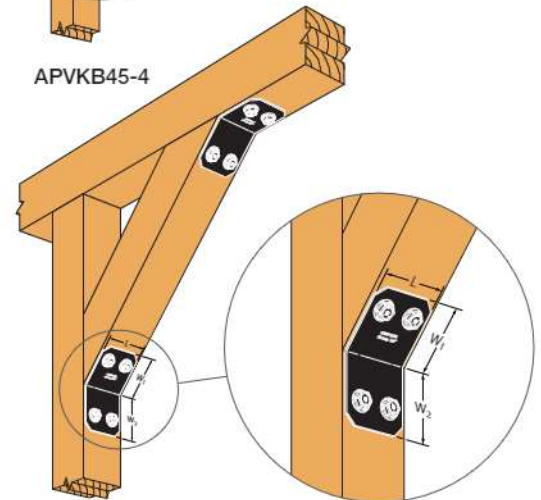
1. All fasteners are Outdoor Accents SDWS22312DBB inserted through an STN22 hex-head washer. Quantities listed are for one part.
2. Fasteners sold separately.



3½" structural wood screw with hex-head washer



APVKB45-4



APVKB45-6