



### Secure Joists with Ties

The deck joist tie attaches 2x joists to the side of 4x or larger support posts. It installs quickly and easily with the Outdoor Accents® structural wood screw and hex-head washer for the look of a bolted connection.



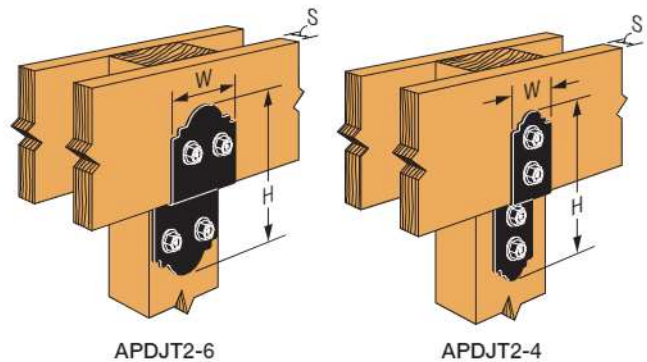
### Accent Connections with Decorative Washers

The Mission Collection decorative washer installs easily with the structural wood screw and hex-head washer combination and can be used in a variety of wood-to-wood connections.

### Deck Joist Tie

Model No.	Ga.	Dimensions (in.)			Fastener Qty. and Length		DF/SP Allowable Downloads (lb.)	
		S	W	H	Post	Joist	Floor (100)	Roof (125)
APDJT2-4	12	1½	3	10				
APDJT1.75-4	12	1¾	3	9¾	(2) 3½"	(2) 5½"	1,870	2,340
APDJT2R-4	12	2	3	9½				
APDJT2-6	12	1½	5	10				
APDJT1.75-6	12	1¾	5	9¾	(2) 3½"	(2) 5½"	1,870	2,340
APDJT2R-6	12	2	5	9½				

1. Roof loads are 125% of floor loads. Floor loads may be adjusted for other load durations according to the code, provided they do not exceed the roof loads.
2. Loads are per part. APDJT1.75 model loads for Western Red Cedar are 1,430 lb. floor (100) and 1,790 lb. roof (125).
3. Joist fasteners are Outdoor Accents SDWS22512DBB structural wood screws inserted through an STN22 hex-head washer. Post fastener is a SDWS22312DBB inserted through an STN22 hex-head washer. Fasteners sold separately.



### Decorative Washer

Model No.	Ga.	Hole Dia. (in.)	W (in.)
APDMW56	12	9/16	3

1. Fastener is an Outdoor Accents SDWS22312DBB structural wood screw inserted through an STN22 hex-head washer.

