




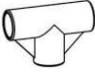

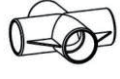


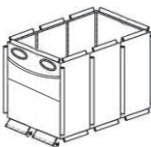



Pool Toy Storage Bin (XXLN)

Item #563009

Parts List:

<p>A. Short Tube Qty: 8 11" long</p> 	<p>B. Medium Tube Qty: 15 13" long</p> 	<p>C. Long Tube Qty: 10 23.6" long</p> 	<p>D. 3-Way Corner Connector Qty: 4</p> 	<p>E. 4-Way Wheel Corner Connector Qty: 4</p> 	<p>F. 3-Way Flat Connector Qty: 6</p> 	<p>G. 4-Way Connector Qty: 4</p> 
<p>H. 4-Way Flat Connector Qty: 2</p> 	<p>I. Locking Wheel Qty: 2</p> 	<p>J. Wheel Qty: 2</p> 	<p>K. Mesh Bag Qty: 1</p> 	<p>L. Storage Bag</p> 		

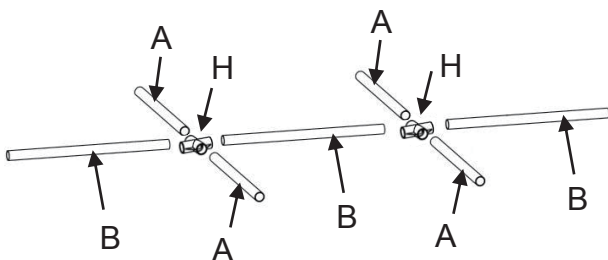
Note: Parts (E) have a small hole in the bottom side for the Wheels.

Keep in the Storage Bag (L) when not being used to extend the life of the unit.

To assemble:

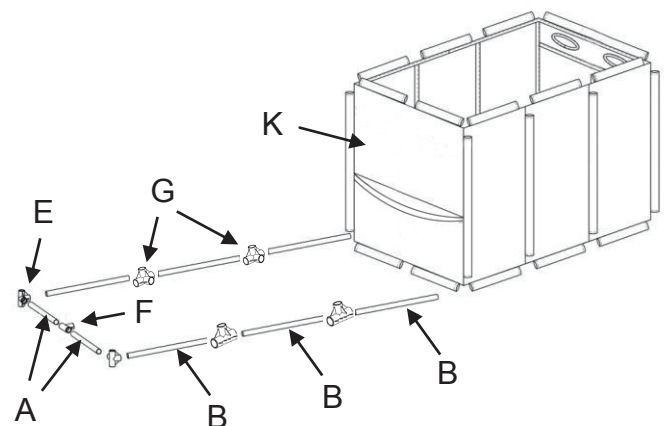
Step 1

Connect four Short Tubes (A) and three Medium Tubes (B) to two 4-Way Flat Connectors (H).



Step 2

Insert two Short Tubes (A) and six Medium Tubes (B) into bottom sleeves of three of the sides of the Mesh Bag (K). Connect Tubes with a 3-Way Connector (F) in middle of the short sides and four 4-Way Connectors (G) in middle of the long sides and with four 4-Way Wheel Corner Connectors (E) in the corners.

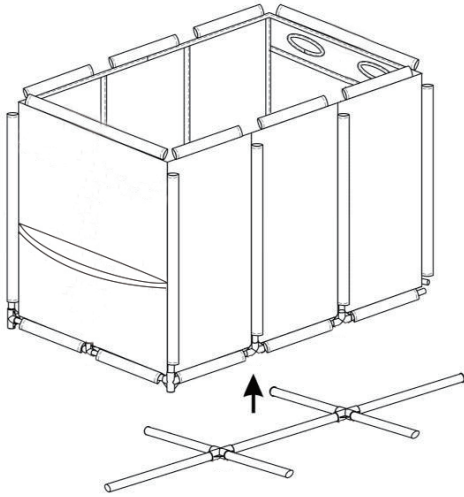


For any questions or concerns, we are here to help.

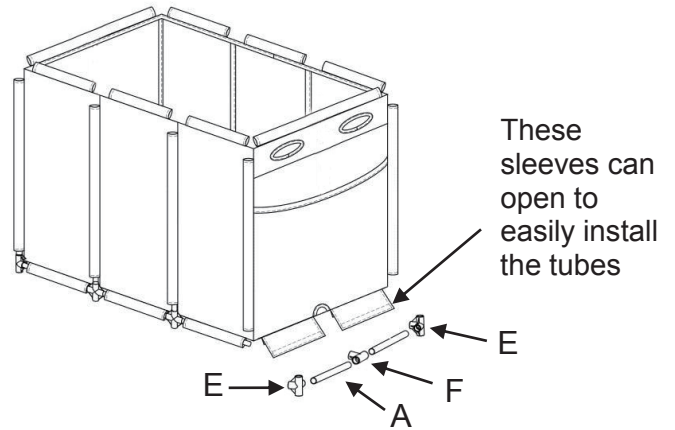
Please contact us by email at contact@geaffiliates.com or by phone at 347-460-9537

Step 3

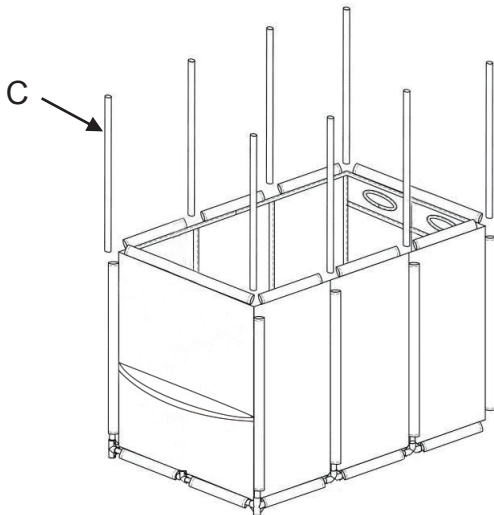
Attach the tubes from Step 1 to the 4-Way Connectors (F) and (G) from Step 2.

**Step 4**

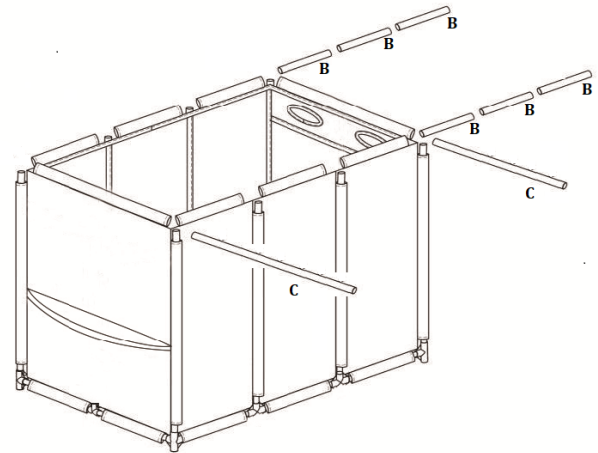
Insert two Short Tubes (A) into the sleeves of the fourth side, and connect them with a 3-Way Flat Connector (F) in middle. Connect the tubes to the 4-Way Corner Connectors (E).

**Step 5**

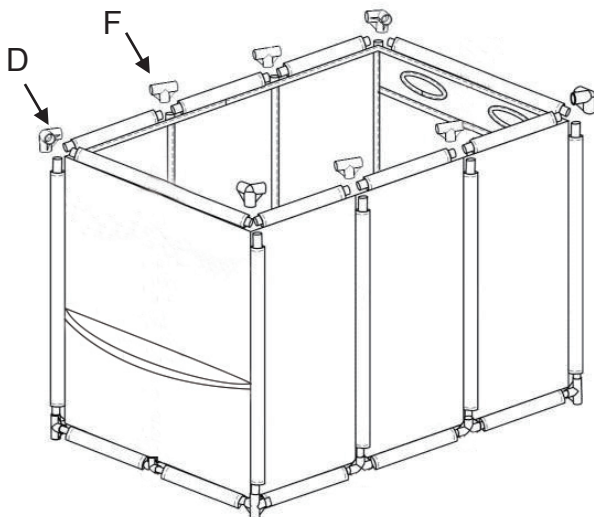
Insert Four Long Tubes (C) through the sleeves of Mesh Bag (K) and into the (E) Corner Connectors.

**Step 6**

Insert two Long Tubes (C) and six Medium Tubes (B) through the top sleeves of the Bag.

**Step 7**

Use 3-Way Corner Connectors (D) to connect all tubes at the top corners and 3-Way Flat Connectors (F) in middle of the sides.

**Step 8**

Insert the Wheels (J) to the 4-Way Connectors (E)

