










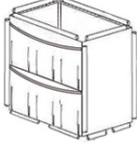



# Pool Toy Storage Bin (SL)

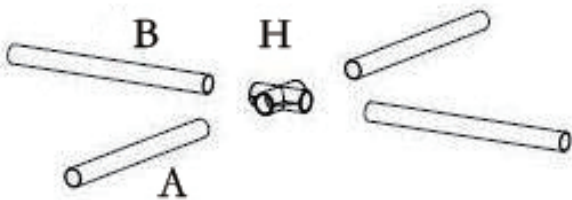
## Item #428546

### Part List:

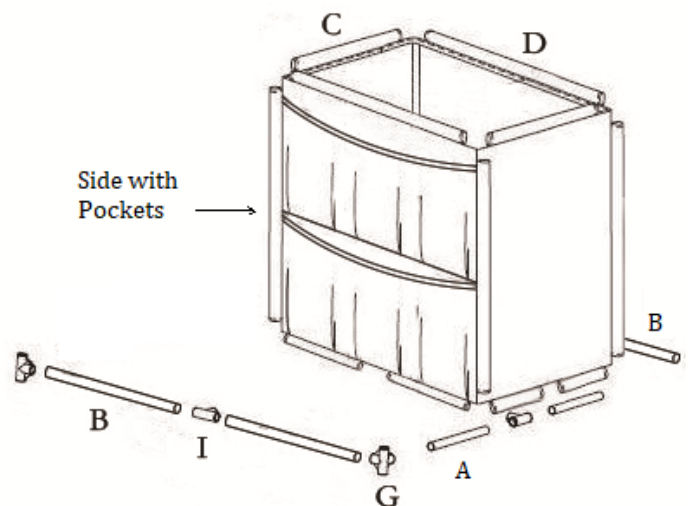
<p>A. Short Tube 5.7" Qty: 6</p> 	<p>B. Medium Tube 10.8" Qty: 6</p> 	<p>C. Long Tube 12.6" Qty: 2</p> 	<p>D. Extra Long Tube 23.6" Qty: 2</p> 	<p>E. Extra Extra Long Tube 37.8" Qty: 4</p> 
<p>F. 3-Way Corner Connector Qty: 4</p> 	<p>G. 4-Way Corner Connector Qty: 4</p> 	<p>H. 4-Way Flat Connector Qty: 1</p> 	<p>I. 3-Way Side Connector Qty: 4</p> 	<p>J. Locking Wheel Qty: 2</p> 
<p>K. Wheel Qty: 2</p> 	<p>L. Mesh Bag Qty: 1</p> 	<p>M. Storage Bag</p> 	<p>For any questions or concerns, we are here to help. Please contact us by email at <a href="mailto:contact@geaffiliates.com">contact@geaffiliates.com</a> or by phone at 347-460-9537</p>	

### To assemble:

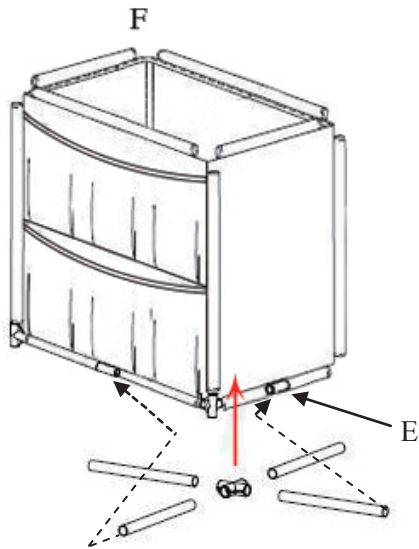
1. Connect two Short Tubes (A) and two Medium tubes (B) to the 4-Way Flat Connector (H).



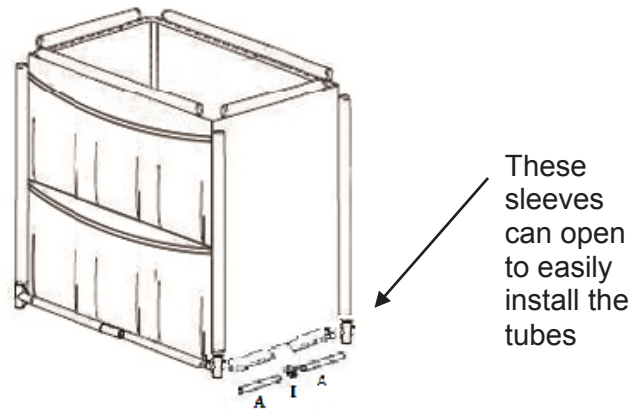
2. Insert 2 Short Tubes (A) and 4 Medium Tubes (B) into bottom sleeves of three of the sides of the Mesh Bag (L). Connect tubes with a 3-Way Side Connector (I) in middle of the sides and 4-Way Corner Connector (G) in the corners.



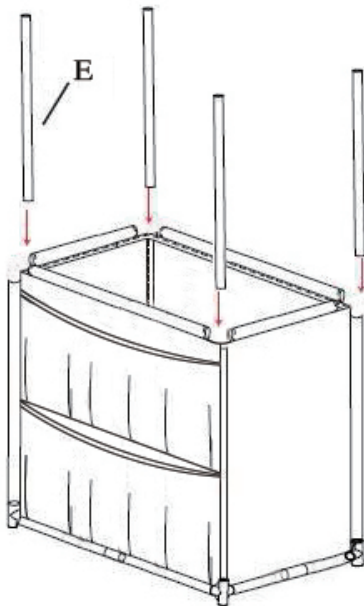
3. Attach the tubes from Step 1 to the 3-Way Side Connectors (I) from Step 2.



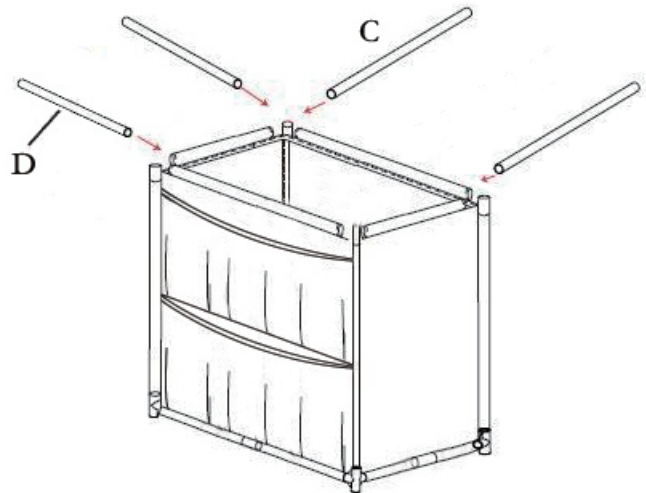
4. Note the sleeves on the fourth side are secured by hook & loop material. Open the sleeves and insert two Short Tubes (A) and connect them with a 3-Way Side Connector (I) in middle. Connect the tubes to the two 4-Way Corner Connectors (G) and close the sleeves.



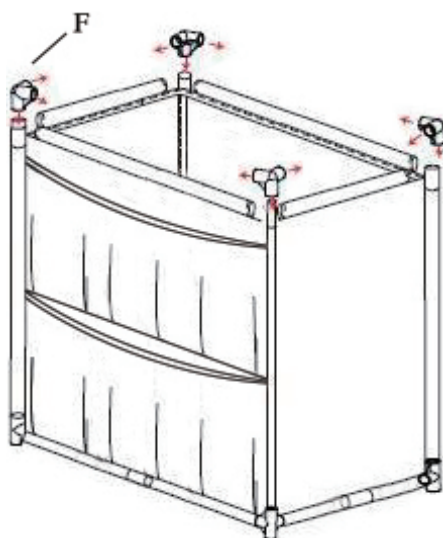
5. Insert the Long Tubes (E) through the corner sleeves of the Mesh Bag and into the 4-Way Corner Connectors (G).



6. Insert the Long (C) and Extra Long (D) Tubes through the top sleeves of the Mesh Bag.



7. Use 3-Way Corner Connectors (F) to connect all tubes at the top corners.



8. Attach Wheels (J) and (K).

Store the unit in the Storage Bag (M) when not used.

