









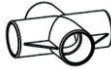


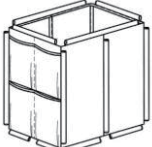



Pool Toy Storage Bin (SXL)

Item #418566

Part List:

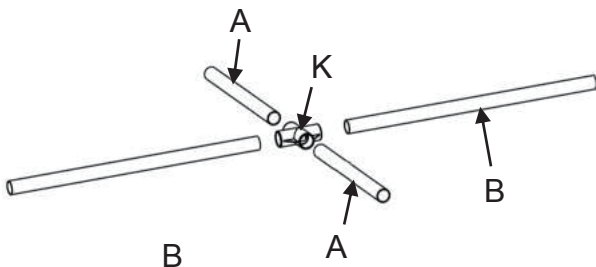
<p>A. Extra-Short Tube Qty: 6 11"</p> 	<p>B. Short Tube Qty: 10 15.75"</p> 	<p>C. Medium Tube Qty: 4 23.6"</p> 	<p>D. Long Tube Qty: 6 27.6"</p> 	<p>E. Extra-Extra Long Tube Qty: 2 33"</p> 	<p>F. Extra Long Tube Qty: 4 29.5"</p> 
<p>G. 3-Way Corner Connector Qty: 4</p> 	<p>H. 4-Way Connector Qty: 6</p> 	<p>I. 4 -Way Wheel Corner Connector Qty: 4</p> 	<p>J. 3-Way Side Connector Qty: 4</p> 	<p>K. 4-Way Flat Connector Qty: 1</p> 	<p>L. Locking Wheel Qty: 2</p> 
<p>M. Wheel Qty: 2</p> 	<p>N. Mesh Bag Qty: 1</p> 	<p>O. Storage Bag</p> 	<p>For any questions or concerns, we are here to help. Please contact us by email at contact@geaffiliates.com or by phone at 347-460-9537</p>		

Note: Part (I) has a small hole for the Wheels.

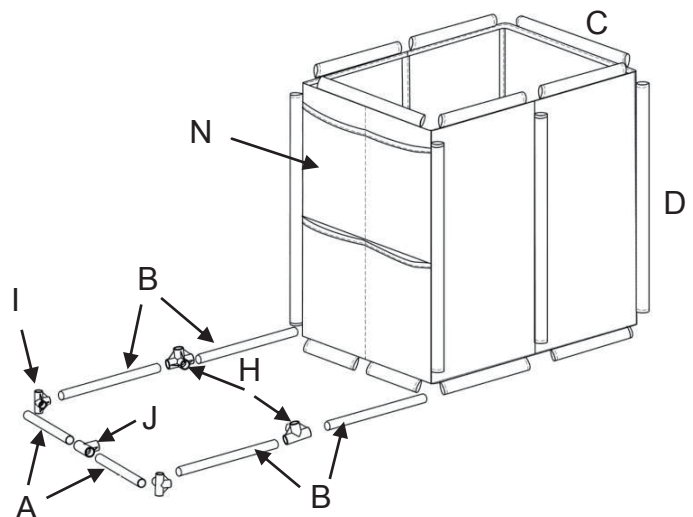
Keep the unit in the Storage Bag (O) when not being used to extend the life of the unit.

To assemble:

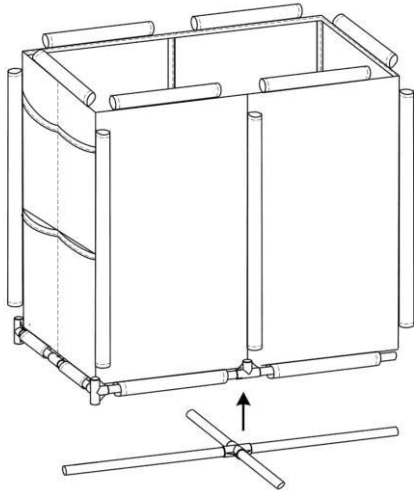
Step 1 Connect the Extra Short Tubes (A) and Short Tubes (B) to the 4-Way Flat Connector (K).



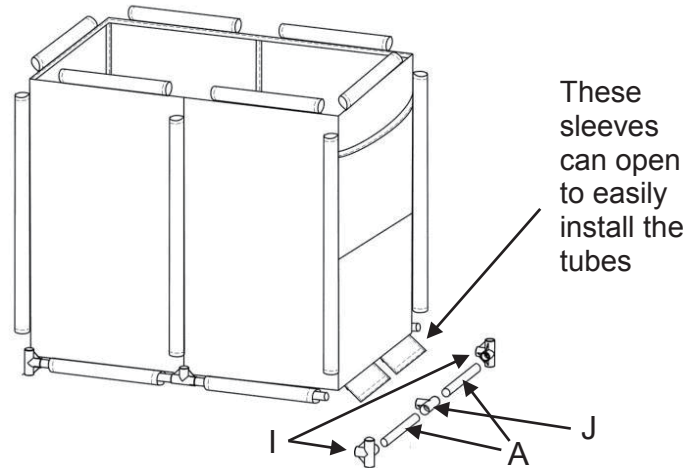
Step 2 Insert two Extra-Short Tubes (A) and four Short Tubes (B) into bottom sleeves of three of the sides of the Mesh Bag (N). Connect Tubes with a 3-Way Side Connector (J) in middle of the short sides and 4 Way Connector (H) in middle of the long sides and with 4-Way Corner Connectors (I) in the corners.



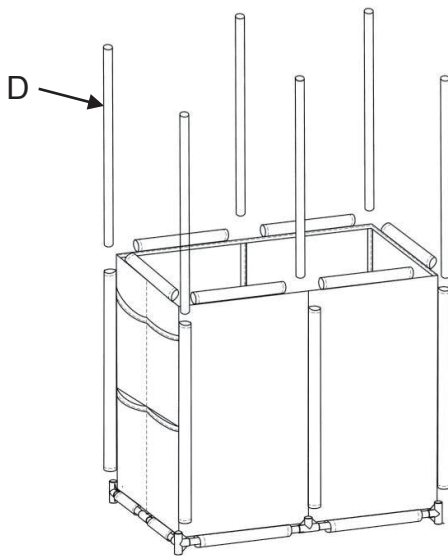
Step 3 Attach the tubes from Step 1 to the 4-Way Connectors (H) from Step 2.



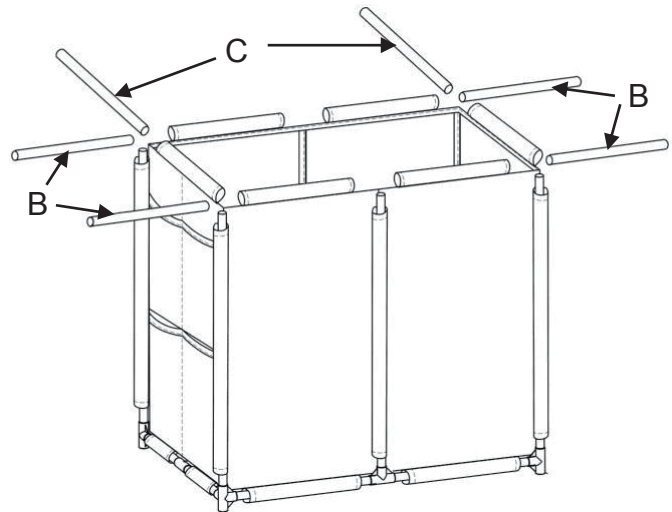
Step 4 Insert two Extra-Short Tubes (A) into the sleeves of the fourth side, and connect them with a 3-Way Side Connector (J) in middle. Connect the tubes to the two 4-Way Corner Connectors (I).



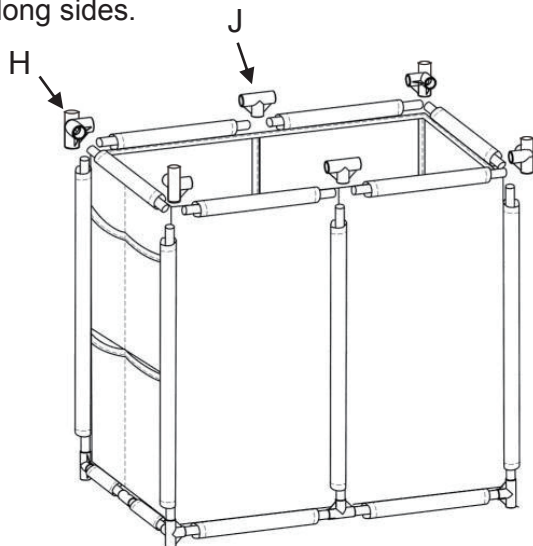
Step 5 Insert the 6 Long Tubes (D) into the corner sleeves of Mesh Bag (N) and into the 4-Way Corner Connectors (I).



Step 6 Insert two Medium Tubes (C) and four Short Tubes (B) through the top sleeves of the Mesh Bag.



Step 7 Use 4-Way Corner Connectors (H) to connect all tubes at the top corners and 3-Way Side Connectors (J) in middle of the long sides.



Step 8 Insert the 4 (F) tubes into the H Corner connectors. Connect 4 3-way connectors (G) to the top of the F tubes. On top, connect two C tubes to the short side and two E tubes to the long side. Attach Wheels (L) and (M).

