












# Pool Toy Storage Bin (Large)

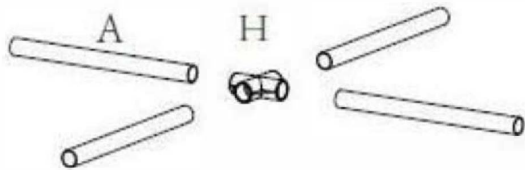
417227

**Part List:**

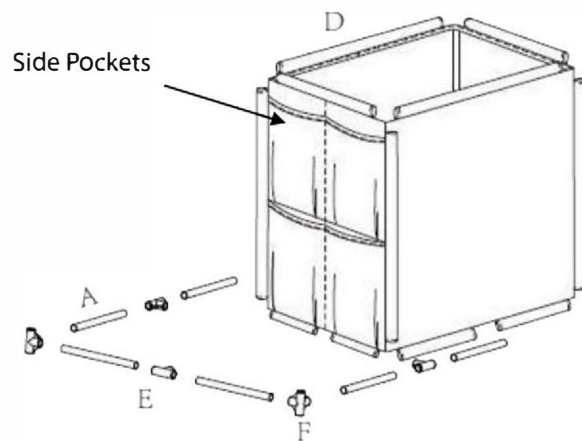
<p>A. Short Tube 11" long Qty: 12</p> 	<p>B. Medium Tube 24" long Qty: 4</p> 	<p>C. Long Tube 35" long Qty: 4</p> 	<p>D. Mesh Bag Qty: 1</p> 	<p>E. 3-Way Side Connector Qty: 4</p> 	
<p>F. 4-Way Corner Connector Qty: 4</p> 	<p>G. 3-Way Corner Connector Qty: 4</p> 	<p>H. 4-Way Flat Connector Qty: 1</p> 	<p>I. Wheel Qty: 2</p> 	<p>J. Locking Wheel Qty: 2</p> 	<p>K. Storage Bag</p> 

**To assemble:**

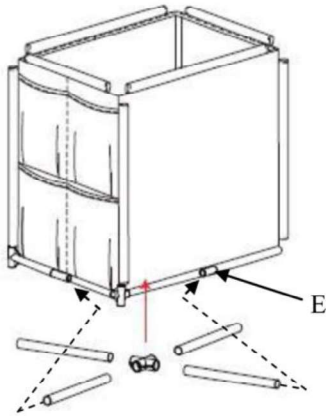
1. Connect four Short Tubes (A) to the 4-Way Flat Connector (H).



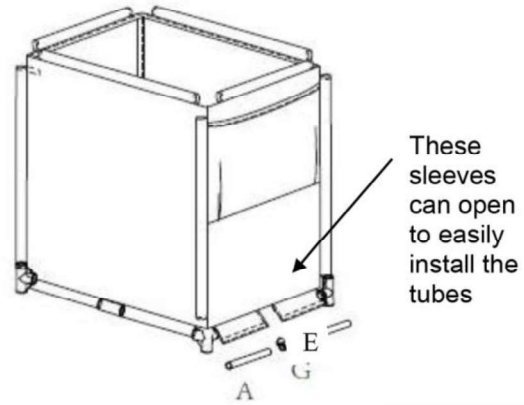
2. Insert Short Tubes (A) into bottom sleeves of three of the sides of the Mesh Bag (D). Connect tubes with a 3-Way Side Connector (E) in middle of the sides and 4-Way Corner Connector (F) in the corners.



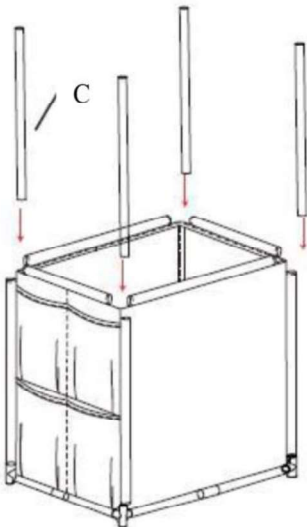
3. Attach the tubes from Step 1 to the 3-Way Side Connectors (E) from Step 2.



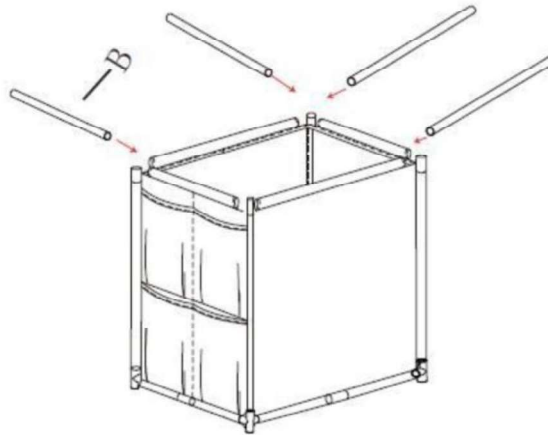
4. Note the sleeves on the fourth side are secured by hook & loop material. Open the sleeves and insert two Short Tubes (A) and connect them with a 3-Way Side Connector (E) in middle. Connect the tubes to the two 4-Way Corner Connectors (F) and close the sleeves.



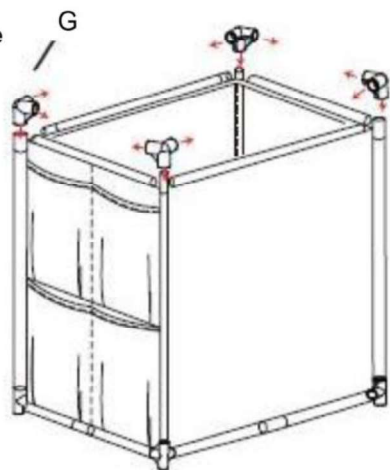
5. Insert the Long Tubes (C) through the corner sleeves of the Mesh Bag and into the 4-Way Corner Connectors (F).



6. Insert the Medium Tubes (B) through the top sleeves of the Mesh Bag.



7. Use 3-Way Corner Connectors (G) to connect all tubes at the top corners.



8. Attach Wheels (I) and (J).

Store the unit in the Storage Bag (K) when not used.

