



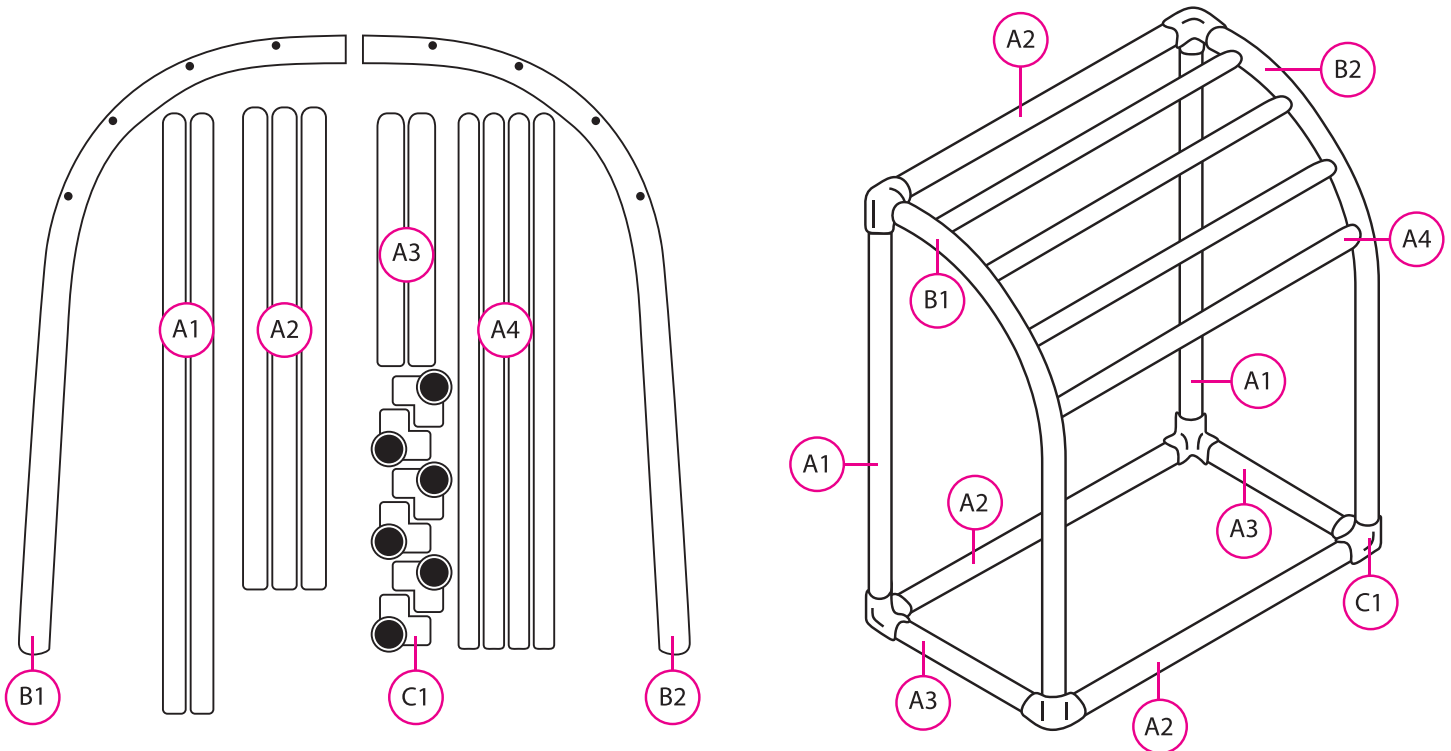
## 5 BAR CURVED TOWEL RACK

- Build the rack on a level surface.
- One can build the rack on its side for an easier assembly, but the rack should be upright when the joints are tightened to ensure a fully level assembled rack
- 2 people preferred (extra set of hands is useful for assembling crossbars), along with a rubber mallet (not included).

Part No.	Quantity	Length	Notes
A1	2	40"	40" PVC
A2	3	33"	33" PVC
A3	2	18.5"	18-1/2" PVC)
A4	4	36"	Small Dia. Crossbars
B1	1	-	Left side curved PVC
B2	1	-	Right side curved PVC
C1	6	-	3-way 90° elbow

### ASSEMBLY INSTRUCTIONS

1. Fit the rack together loosely to ensure proper fit.
2. Set the rack upright.
3. Use a rubber mallet to tighten the joints and ensure that the pipes are all the way into the fittings.



### Customer service contact information:

Essentially Yours, 1850 Utica Avenue, Brooklyn, NY, 11234

(718) 251-0096 • [contact@essentiallyyoursandmine.com](mailto:contact@essentiallyyoursandmine.com)