
















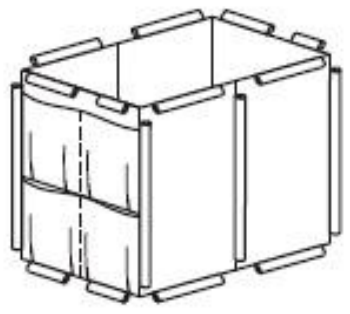
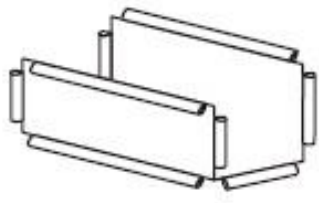


Pool Toy Storage Bin with Noodle Holder 561935

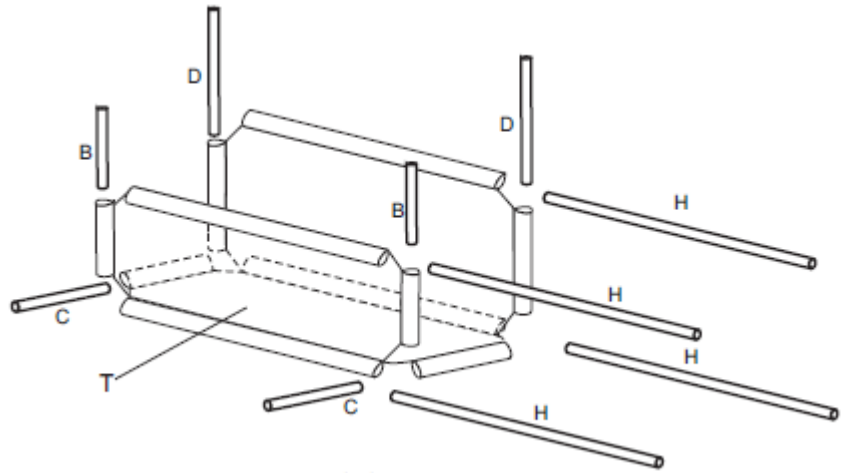
Part List:

<p>A. Storage Bag Qty: 1</p> 	<p>B. 6.9" Tube Qty: 2</p> 	<p>C. 10" Tube Qty: 12</p> 	<p>D. 10.9" Tube Qty: 2</p> 	<p>E. 15.9" Tube Qty: 10</p> 		
<p>F. 16.9" Tube Qty: 4</p> 	<p>G. 24.8" Tube Qty: 8</p> 	<p>H. 33.3" Tube Qty: 4</p> 		<p>J. 2-Way Conner Connector Qty: 4</p> 	<p>K. 3-Way Flat Connector Qty: 2</p> 	
<p>L. 3-Way Conner Connector Qty: 2</p> 	<p>M. 4-Way Connector Qty: 3</p> 	<p>N. 4-Way Corner Connector Qty: 8</p> 	<p>O. 4-Way Corner Connector- for wheels Qty: 4</p> 	<p>P. 5-Way Connector Foot Qty: 2</p> 	<p>Q. Wheel Qty: 2</p> 	<p>R. Wheel w/ Lock Qty: 2</p> 
<p>S. Lower Mesh Bag Qty: 1</p> 				<p>T. Upper Mesh Shelf Qty: 1</p> 		

To assemble:

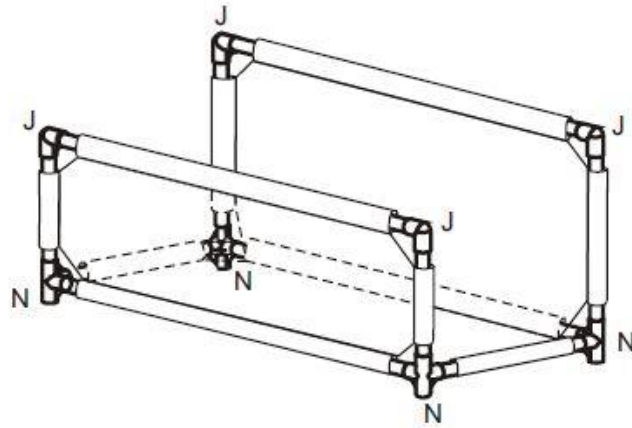
Step 1

Insert two Tubes (B), two Tubes (D), two Tubes (C) and four Tubes (H) into the long side sleeves of the Upper Mesh Shelf (T).



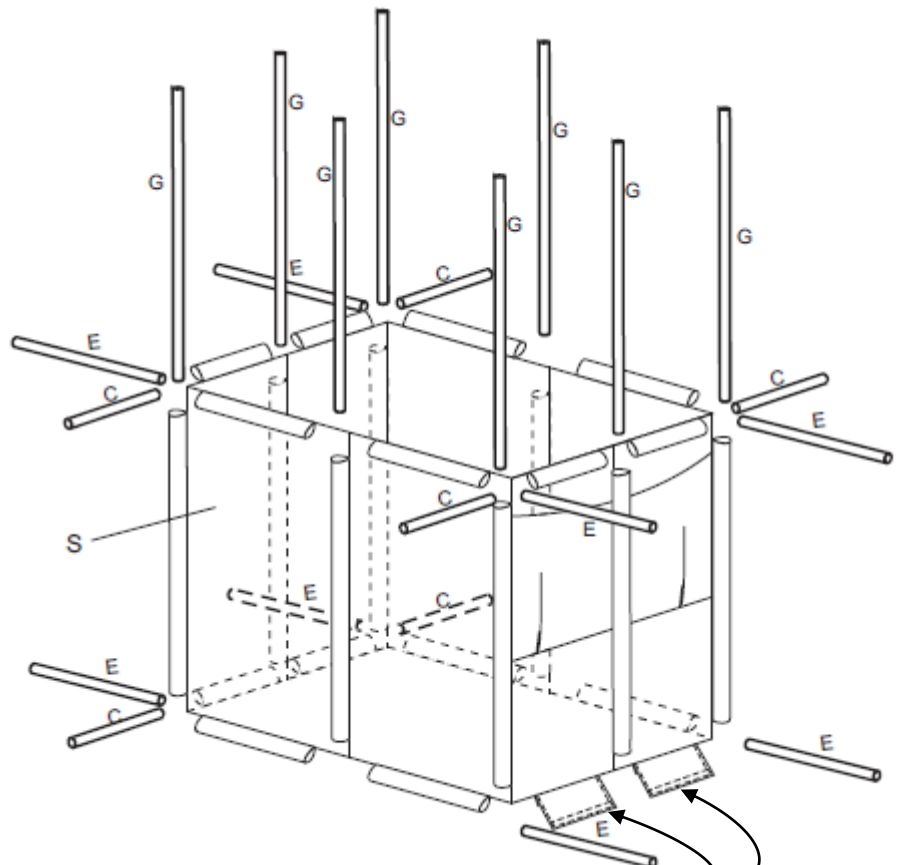
Step 2

Connect the top tubes with 2-Way Corner Connectors (J).
Connect the bottom tubes with 4-way Corner Connectors (N).



Step 3

Insert six Tubes (C), eight Tubes (G), and eight Tubes (E) in the Lower Mesh Bag (S).



Note: these two sleeves can open, but don't insert tubes until the next step.

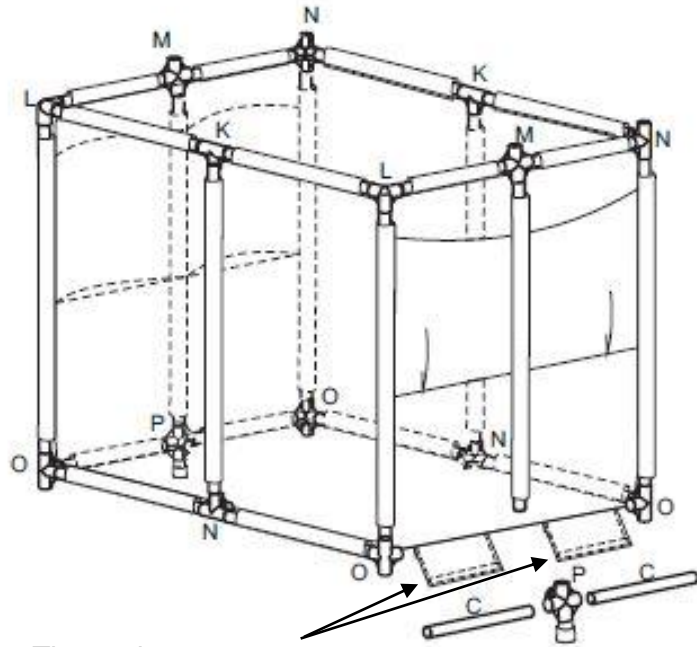
Step 4

Use 3-Way Corner Connectors (L), and 4-way Corner Connectors (N) to connect the top corners and in middle of the long sides.

Use 4-way Corner Connectors (O) to connect the bottom corners.

Connect Tubes (C) with a 5-way Connector Foot (P) on the both of the short sides.

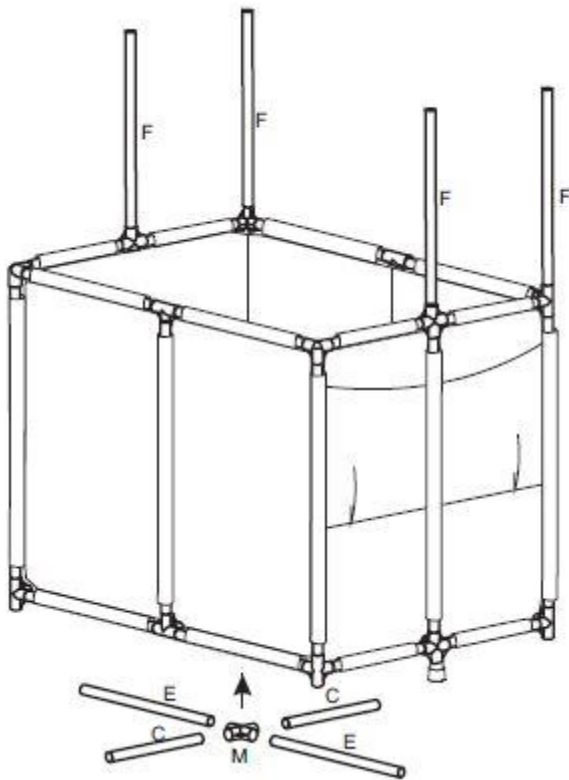
Open the two remaining sleeves and insert Tubes (C) and connect them to the 4-way Corner Connectors (O).



These sleeves can open to easily install the tubes

Step 5

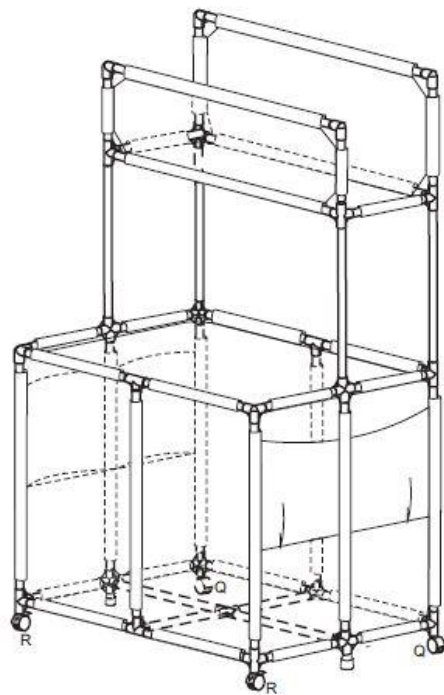
Connect the Tubes (C), 4 Tubes (F) and Tubes (G) to the 4-Way Connectors (M). The Lower Mesh Bag will rest on these tubes.

**Step 6**

Attach the Upper Shelf from Step 2 to the Pool Storage Bin from Step 5.

Attach the Wheels (Q) and (R).

Store the unit in the Storage Bag (T) when not used.



Do not allow children to climb in or on this item. Store indoors during the off-season to prolong its life.