














# Pool Toy Storage Bin (Extra Large)

455102

**Part List:**

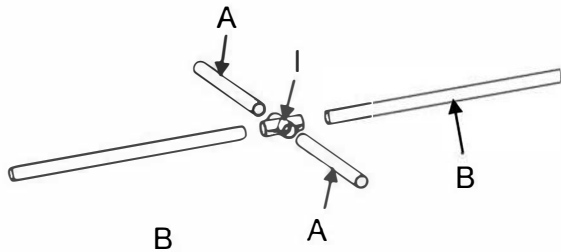
<p>A. Extra-Short Tube Qty: 6 11" long</p> 	<p>B. Short Tube Qty: 10 16" long</p> 	<p>C. Medium Tube Qty: 2 24" long</p> 	<p>D. Long Tube Qty: 6 33" long</p> 	<p>E. 3-Way Corner Connector Qty: 4</p> 	<p>F. 3-Way Side Connector Qty: 4</p> 	
<p>G. 4-Way Connector Qty: 2</p> 	<p>H. 4-Way Corner Connector Qty: 4</p> 	<p>I. 4-Way Flat Connector Qty: 1</p> 	<p>J. Wheel Qty: 2</p> 	<p>K. Locking Wheel Qty: 2</p> 	<p>L. Mesh Bag Qty: 1</p> 	<p>M. Storage Bag</p> 

**Note:** Part (H) has a small hole for the Wheels.

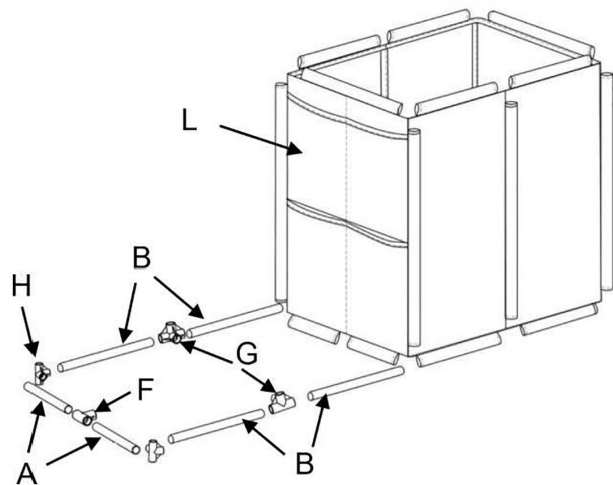
Keep the unit in the Storage Bag (M) when not being used to extend the life of the unit.

**To assemble:**

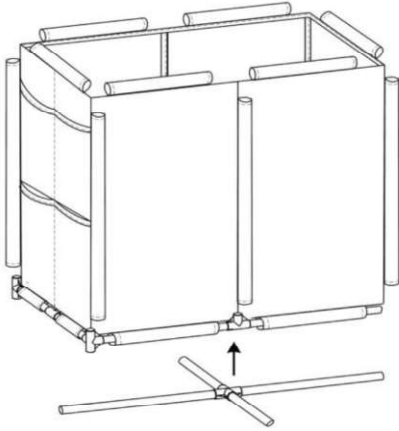
**Step 1** Connect the Extra Short Tubes (A) and Short Tubes (B) to the 4-Way Flat Connector (I).



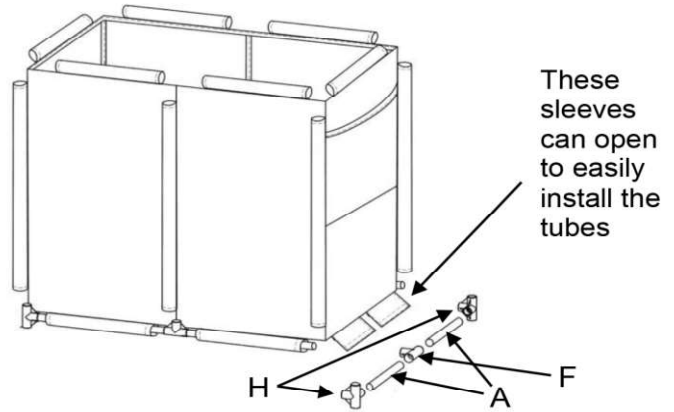
**Step 2** Insert two Extra-Short Tubes (A) and four Short Tubes (B) into bottom sleeves of three of the sides of the Mesh Bag (L). Connect Tubes with a 3-Way Side Connector (F) in middle of the short sides and 4 Way Connector (G) in middle of the long sides and with 4-Way Corner Connector (H) in the corners.



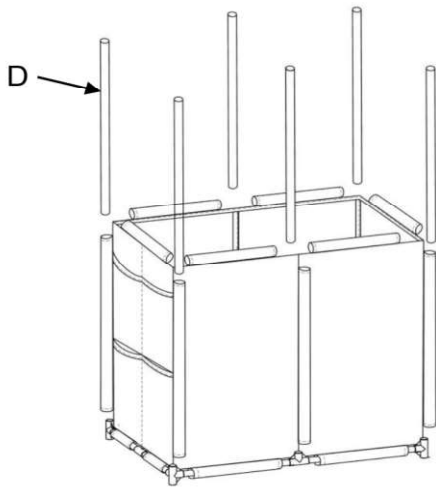
**Step 3** Attach the tubes from Step 1 to the 3-Way Side Connectors (F) and 4-Way Connectors (G) from Step 2.



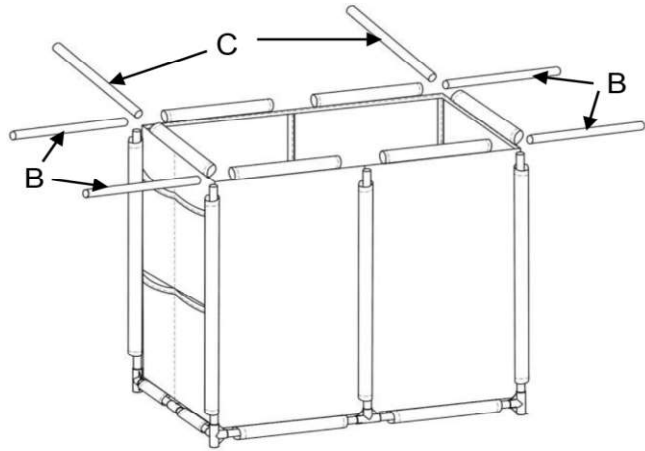
**Step 4** Insert two Extra-Short Tubes (A) into the sleeves of the fourth side, and connect them with a 3-Way Side Connector (F) in middle. Connect the tubes to the two 4-Way Corner Connectors (H).



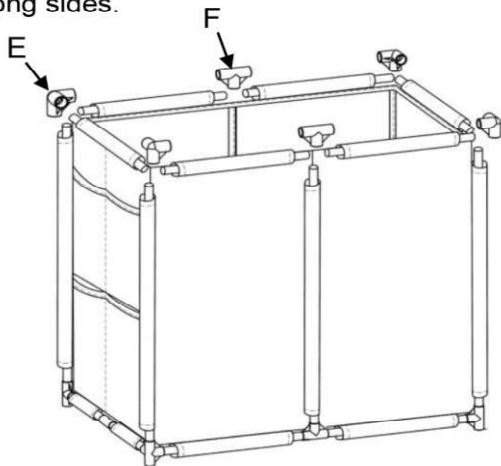
**Step 5** Insert Long Tubes (D) into the corner sleeves of Mesh Bag (L) and into the 4-Way Corner Connectors (H).



**Step 6** Insert the Medium Tubes (C) and Short Tubes (B) through the top sleeves of the Mesh Bag.



**Step 7** Use 3-Way Corner Connectors (E) to connect all tubes at the top corners and 3-Way Side Connectors (F) in middle of the long sides.



**Step 8** Attach Wheels (J) and (K).

