
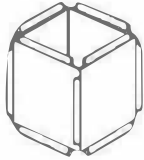







Pool Toy Storage Bin with Wheels

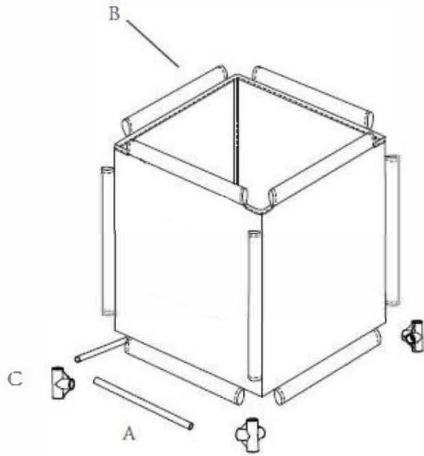
417244

PARTS LIST

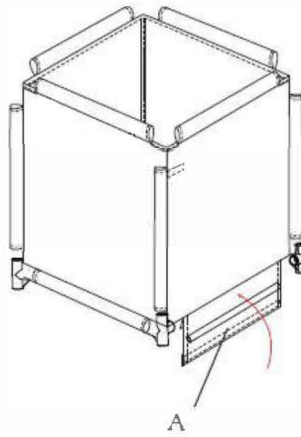
<p>A. Tube Qty: 12</p> 	<p>B. Mesh Bag Qty: 1</p> 	<p>C. 4-Way Connector Qty: 4</p> 	<p>D. 3-Way Connector Qty: 4</p> 	<p>E. Wheel Qty: 2</p> 	<p>F. Wheel w/ Lock Qty: 2</p> 	<p>G. Storage Bag</p> 
-------------------------------------------------------------------------------------------------------------	-----------------------------------------------------------------------------------------------------------------	------------------------------------------------------------------------------------------------------------------------	------------------------------------------------------------------------------------------------------------------------	--------------------------------------------------------------------------------------------------------------	------------------------------------------------------------------------------------------------------------------------	-----------------------------------------------------------------------------------------------------------

To assemble:

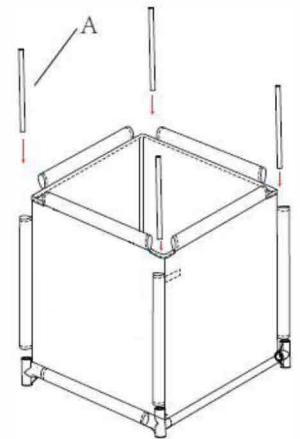
1. Insert Tube (A) into three of the lower sleeves of Mesh Bag (B). Connect them with 4-Way Connectors (C) in the corners.



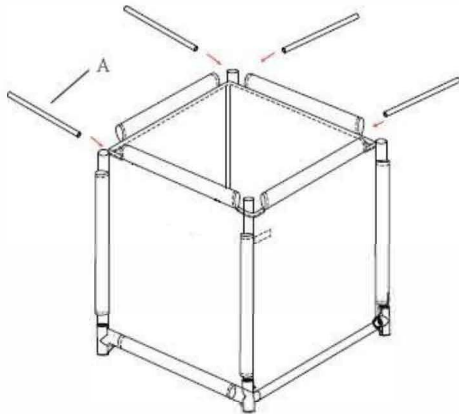
2. Notice one of the sleeves is secured by hook & loop material. Open the sleeve to install the fourth tube.



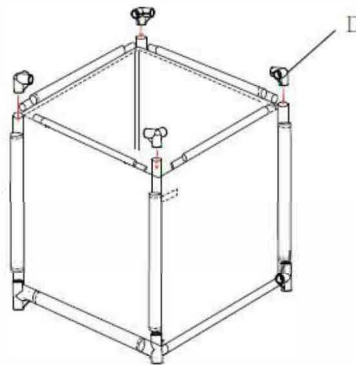
3. Insert Tubes (A) through the corner sleeves of Mesh Bag (B) and into the 4-Way Connectors.



4. Insert Tubes (A) through the upper sleeves of Mesh Bag (B).



5. Use 3-Way Connectors (D) to attach the top Tubes and corner Tubes.



6. Attach Wheels (E) and (F) to the 4-Way Connectors. Store the unit in the storage bag (G) when not used.

