

SE 679

Installation , Maintenance and Operating Instructions

DESCRIPTION

Floor mounting EMERGENCY DELUGE SHOWER and AERATED EYE WASH (No Bowl) combination unit. Shower is supplied with a 25mm stay open full flow ball valve, activated by a triangle pull rod. Eye wash is supplied with a 15mm stay - open full flow ball valve, activated by a paddle handle or foot pedal. Manufactured to comply with AS 4775-2007.

SHOWER

SHOWER HEAD : 200mm ABS Cyclolac
VALVE : 25mm Stainless Steel
ACTIVATOR : 304 Stainless Steel Tubular Pull Rod
STANCHION : 304 Stainless Steel
BASE PLATE : 304 Stainless Steel

EYE-WASH

EYE WASH : Aerated, Chrome Plated
VALVE : 15mm Stainless Steel
ACTIVATOR : Stainless Steel Paddle Handle & Foot Pedal

INSTALLATION

After unpacking carton, make sure all components are present. Mark out the floor and mount the bottom stanchion section using suitable anchors. Then assemble top section (Use pipe sealant on all joints). Assemble pull rod and shower head, attach paddle handle and foot pedal. Once the unit is completely assembled connect water supply to 25mm top inlet nipple. Failure to use potable can result in emergency units producing impure or contaminated water causing possible further injury. Test unit

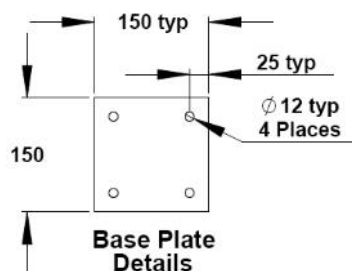
OPERATION

The shower is activated by pulling the triangle pull rod. Once the valve is activated the head will continue to discharge water until the valve is manually closed, this is done by pushing the pull rod to the off position. The eye wash is activated by pushing the paddle handle back 90 degrees. The unit will operate until the paddle handle is manually pulled to the off position.

TESTING PROGRAM

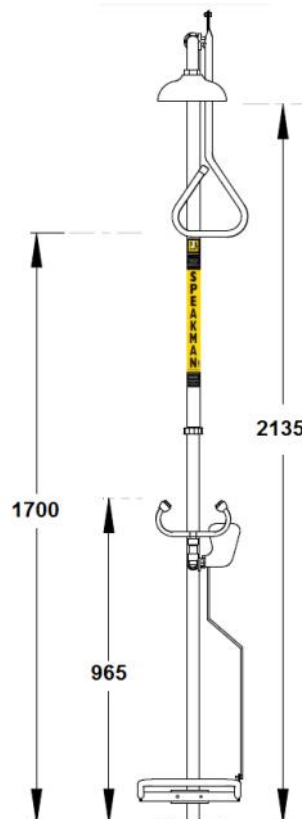
The Australian Standards AS4775-2007 states that all safety equipment shall be activated on a weekly basis to flush the line and verify proper operation. This unit furnishes a testing tag with each unit. On this tag the date of the inspection and the inspectors initials should be noted.

Note: This unit should be connected to an uninterrupted source of potable water, no less than 25mm with minimum flowing pressure of 130KPa and a maximum static pressure of 860KPa.



FLOW DATA

SHOWER
RATE (LPM): 76
EYE-WASH
FLOW RATE (LPM) : 12



WARNING: Use only genuine Speakman part when replacing or repairing components. When ordering quote correct part numbers listed. To order call 1300 73 22 74

BIGsafety
bigsafety.com.au

BIG Safety
PO Box 2117 Normanhurst NSW 2076
12A/10 Pioneer Ave, Thornleigh NSW 2120
P: 1300 73 22 74 E:- sales@bigsafety.com.au
www.bigsafety.com.au



SPEAKMAN®
SAFETY PRODUCTS

SE 679
Safety Shower &
Aerated Eye Wash

BIGsafety
bigsafety.com.au

Installation , Maintenance and Operating Instructions

MAINTENANCE

Should you need to repair this unit, please the parts list below for correct part numbers.
Before any maintenance is done be sure the **water supply is shut off**.

MAINTENANCE SCHEDULE

WEEKLY	Activate eyewash unit using push handle. Allow water to flow for 30 seconds to flush line. Ensure water flows evenly from both outlets. Ensure water is clean.
YEARLY	Ensure unit complies with AS 4775-2007.

- ① Part No: RPG05 1177
Aerator Screen & Cap Assembly



Supplied in a packet of 6

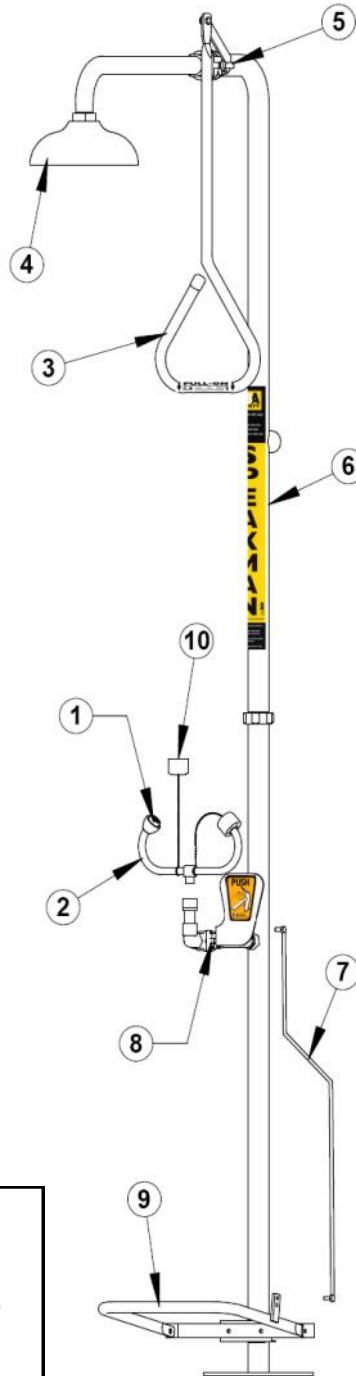
SPARE PARTS

No:	Description	Part No
1.	Aerator Screen & Cap Assembly	RPG05 1177
2.	Bulls Horn Eye Wash Assembly	SA 01003
3.	Pull Rod Assembly	G47-0043026
4.	200mm Cyclac Shower Head	SE 810
5.	25mm Activation Ball Valve	SE 911
6.	Combination Frame	SE Frame
7.	Foot Pedal Universal Connect Chain	SA 03014
8.	15mm Activation Ball Valve & Handle	SE 910H
9.	Foot Pedal Assembly	SE Treadle
10.	Dust Cap Assembly	SA 01008

WARNING: Use only genuine Speakman part when replacing or repairing components.
When ordering quote correct part numbers listed. To order call 1300 73 22 74

BIGsafety
big-safety.com.au

BIG Safety
PO Box 2117 Normanhurst NSW 2076
12A/10 Pioneer Ave, Thornleigh NSW 2120
P: 1300 73 22 74 E:- sales@big-safety.com.au
www.big-safety.com.au



SPEAKMAN®
SAFETY PRODUCTS

SE 679
Safety Shower &
Aerated Eye Wash

BIGsafety
big-safety.com.au