

# Installation, Maintenance and Operating Instructions

## DESCRIPTION

Wall mounted EMERGENCY AERATED EYE WASH unit. Eye wash is supplied with a 15mm stay open full flow ball valve, activated by a activation push bar.

## SPECIFICATIONS

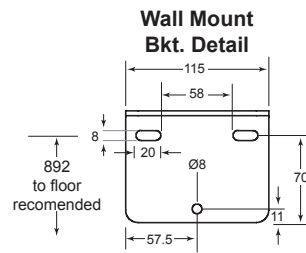
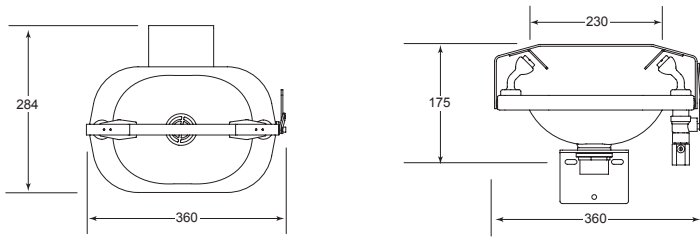
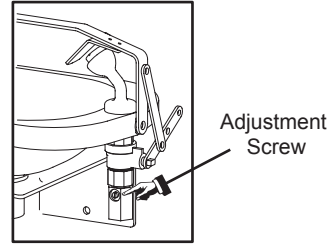
EYE/FACE WASH - Aerated, Stainless Steel Bowl  
 VALVE - 12mm Chrome Plated Brass  
 ACTIVATOR - 304 Stainless Steel Push Bar  
 WALL MOUNT Bkt. - 304 Stainless Steel

## FLOW DATA

FLOW PRESSURE (KPa) : 136  
 FLOW RATE (LPM) : 12

## INSTALLATION

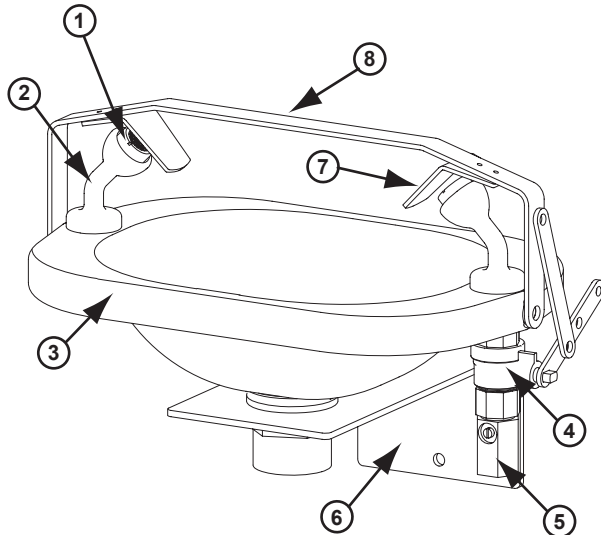
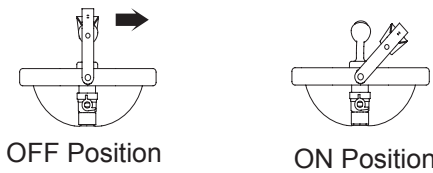
After unpacking carton, ensure all components are present. Mark out the wall as per mounting bracket detail. Mount the unit to the wall using suitable fasteners. Fit activation handle and fasten. Prior to connecting the water supply flush the pipe line to clear of impurities and debris. Connect water supply to 15mm connection below the volume control. Turn water supply on and assure all connections are water tight. Activate the unit and adjust spray pattern to balance centrally in the basin. (This is done by turning the adjustments screw on volume control below valve).



**NOTE :** This unit should be connected to an uninterrupted source of potable water, no less than 15mm (1/2"), with a minimum flowing pressure of 130KPa and a maximum static pressure of 860 KPa.

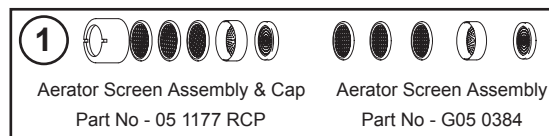
## OPERATION

The eye/face wash is activated by pushing the activation bar rearward. The unit will operate until the activation bar is manually pulled to the off position.



## SPARE PARTS LIST

No.	DESCRIPTION	PART No.
1	Aerator Screen Assembly	G05 0384
2	Nozzle Base Assembly	G42 0087PC
3	Stainless Steel Bowl	68 0042
4	12mm Ball Valve	20 0929 RNP
5	Volume Control	G20 1720RCP-P
6	Wall Mount Bracket	SR 02004
7	Dust Shield	10 0227
8	Push Handle Assembly including Dust Shields	G04-0215



## MAINTENANCE

Maintenance should be carried out weekly and yearly as detailed in the schedule. Should you need to repair this unit, please reference the spare parts list for correct part numbers. Before any maintenance is done be sure the water supply is shut off.

## MAINTENANCE SCHEDULE

WEEKLY	<ul style="list-style-type: none"> <li>- Activate eyewash unit using push handle</li> <li>- Allow water to flow for 30 seconds to flush line.</li> <li>- Ensure water flows evenly from both outlets.</li> <li>- Ensure water is clean.</li> </ul>
YEARLY	<ul style="list-style-type: none"> <li>- Ensure unit complies with AS 4775-2007.</li> </ul>

**WARNING :** Use only genuine Speakman parts when replacing or repairing components. To order call 1300 73 22 74 or email sales@bigsafety.com.au



**SPEAKMAN®**  
SAFETY PRODUCTS

**SE 505**  
Aerated Eye Wash Unit

**BIGsafety**  
PEOPLE PLACES SAFETY